



Assembly Instructions

# Riley FLASH

RILEY FLASH 18X18, 18X24

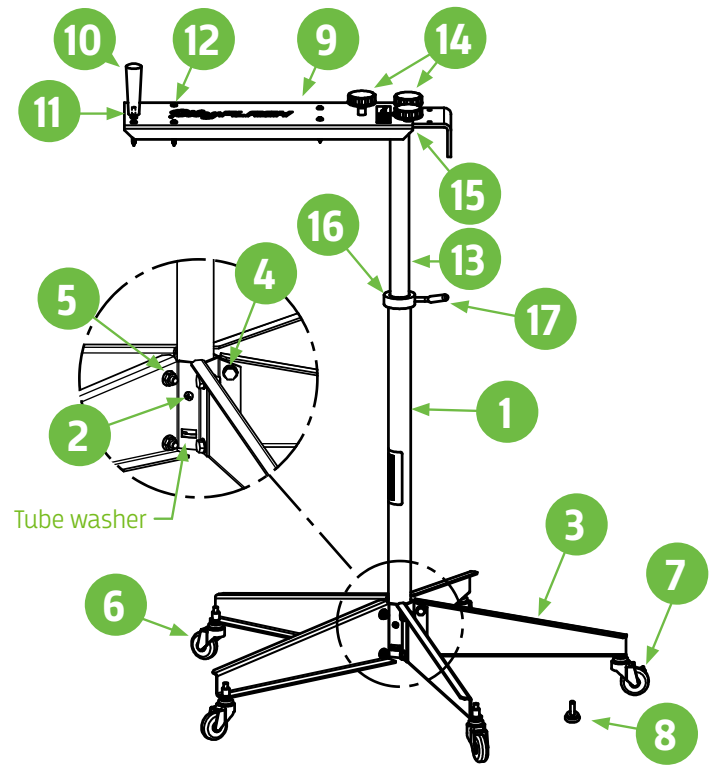


*Riley Hopkins*

# STANDARD DUTY STAND HF12-172

## Tools Required:

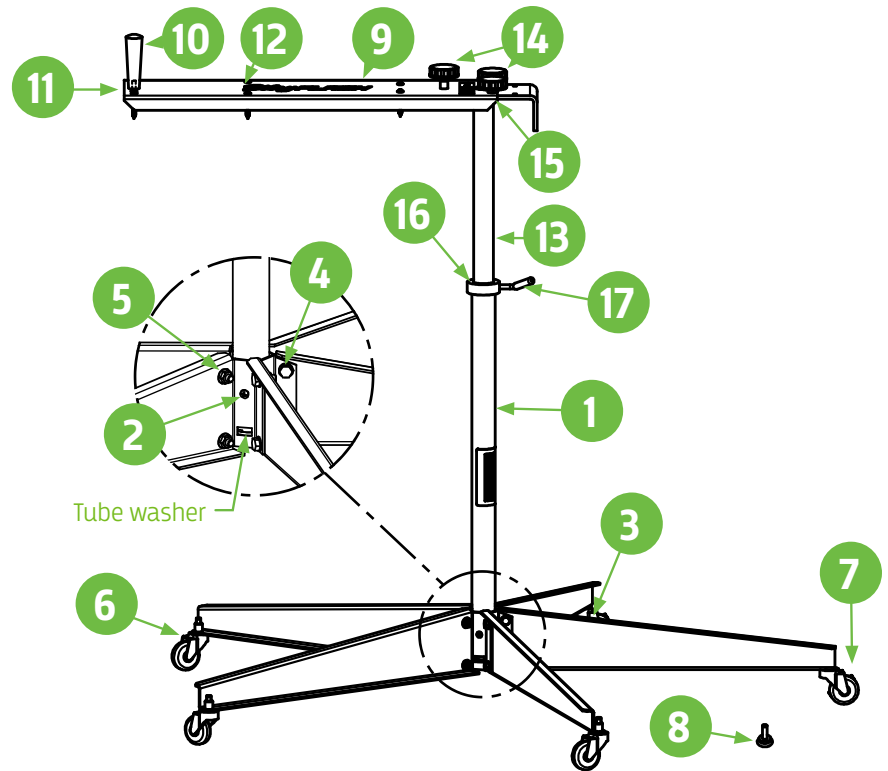
- (x1) 1/2" open end wrench
- (x1) 7/16" open end wrench



## What's in the box

Tag	Part Number	Item	Qty.
1	97-190	TUBE ASSEMBLY	1
2	25-243	SCREW-10-32 X 1/2 TAPTITE	3
3	97-015	LEG 16"	5
4	25-025	BOLT 5/16-18 X3/4 SERRATED	10
5	24-012	NUT 5/16-18 SERRATED	10
6	28-012-1	CASTER 2"	3
7	28-012	CASTER 2" W/BRAKE	2
8	90-580	LEVELING FEET 5/16-18	5
9	97-014	TOP BRACKET	1
10	90-570	HANDLE-BLACK 1/4-20 INSERT	1
11	25-016	HEX BOLT 1/4-20 X 5/8L B0	1
12	25-181	SCREW-#12X1 3/4, PHSMS, B0	6
13	97-011	UPPER TUBE	1
14	93-022	KNOB 5/16-18 X 1"L STUD	3
15	22-015	COLLAR 5/16	2
16	13-141	COLLAR 1 7/16 ID	1
17	97-184	BENT BOLT	1

# HEAVY DUTY STAND HF12-174



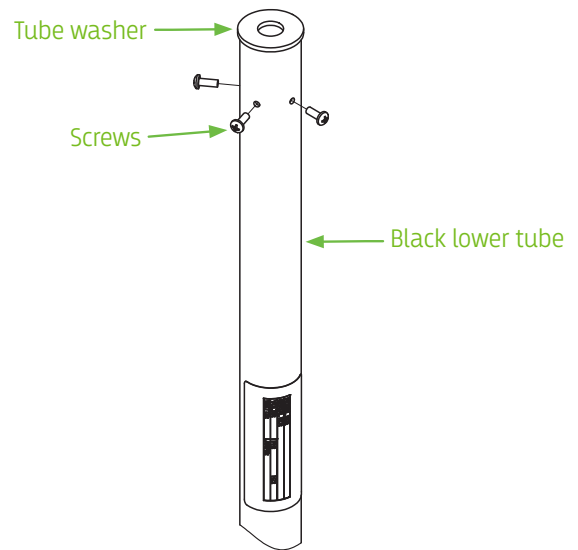
## What's in the box

Tag	Part Number	Item	Qty.
1	97-190	TUBE ASSEMBLY	1
2	25-243	SCREW-10-32 X 1/2 TAPTITE	3
3	97-003	LEG 24"	5
4	25-025	BOLT 5/16-18 X3/4 SERRATED	10
5	24-012	NUT 5/16-18 SERRATED	10
6	28-012-1	CASTER 2"	3
7	28-012	CASTER 2" W/BRAKE	2
8	90-580	LEVELING FEET 5/16-18	5
9	97-012	TOP BRACKET	1
10	90-570	HANDLE-BLACK 1/4-20 INSERT	1
11	25-016	HEX BOLT 1/4-20 X 5/8L B0	1
12	25-181	SCREW-#12X1 3/4, PHSMS, B0	6
13	97-011	UPPER TUBE	1
14	93-022	KNOB 5/16-18 X 1"L STUD	3
15	22-015	COLLAR 5/16	2
16	13-141	COLLAR 1 7/16 ID	1
17	97-184	BENT BOLT	1

**IMPORTANT: BE SURE ALL PARTS ARE ENCLOSED BEFORE ASSEMBLING.**

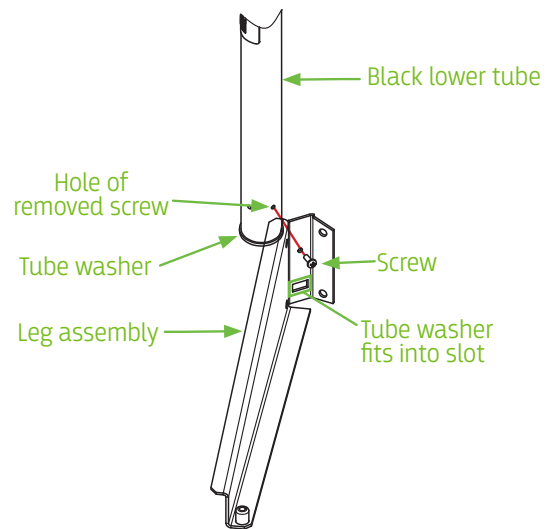
### STEP 1

1. Locate the Black Lower Tube.
2. Using a Phillips screwdriver, remove the (3) Screws from the end of the tube. The Screws are used in the next steps of this assembly.



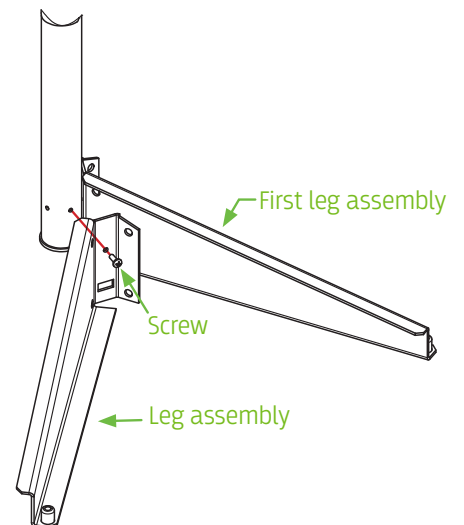
### STEP 2

3. Locate the (5) Leg Assemblies.
4. Align the thru hole of (1) of the Leg Assemblies with a Hole of Removed Screw on the Lower Tube.
5. Secure the Leg Assembly to the Lower Tube with the Removed Screw. The Tube Washer will fit into the Slot on the Leg Assembly.



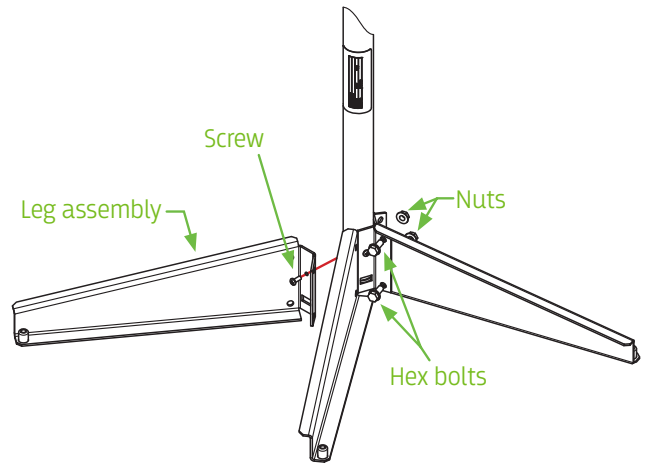
### STEP 3

6. Attach a second Leg Assembly using a second Removed Screw in the adjacent hole in the Lower Tube.



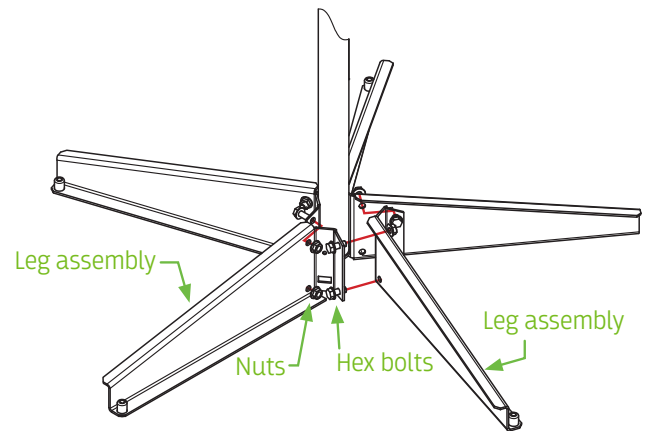
#### STEP 4

- Using (2) Hex-Bolts and Nuts, bolt the first (2) Leg Assemblies together thru the mating holes.
- Attach a third Leg Assembly using the remaining Removed Screw, threaded into the remaining hole in the Lower Tube.



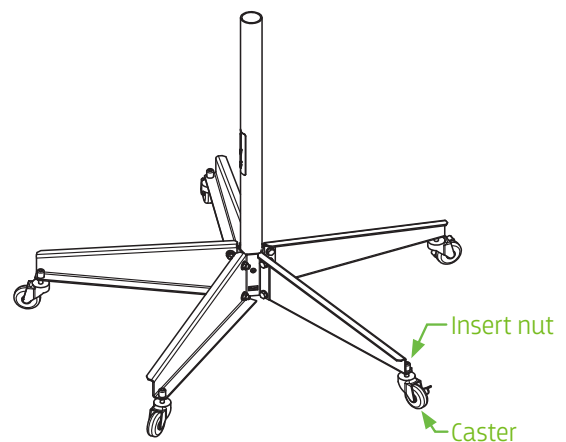
#### STEP 5

- Using Hex-Bolts and Nuts, bolt the third Leg Assembly to the adjacent attached Leg Assembly.
- Continue attaching the remaining (2) Leg Assemblies around the Lower Tube. (These remaining Leg Assemblies do not attach to the Lower Tube with Screws).



#### STEP 6

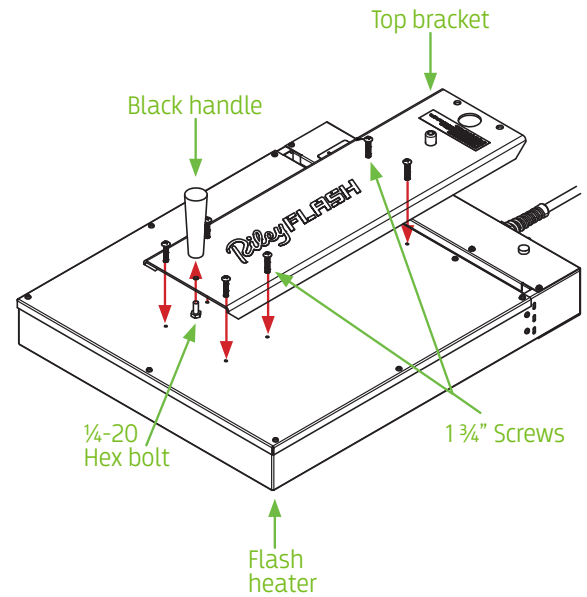
- Install the Casters (or Optional Leveling Feet) into the Insert Nuts at the ends of each Leg Assembly. (2) of the (5) included Casters are Locking.



(Optional leveling feet) 

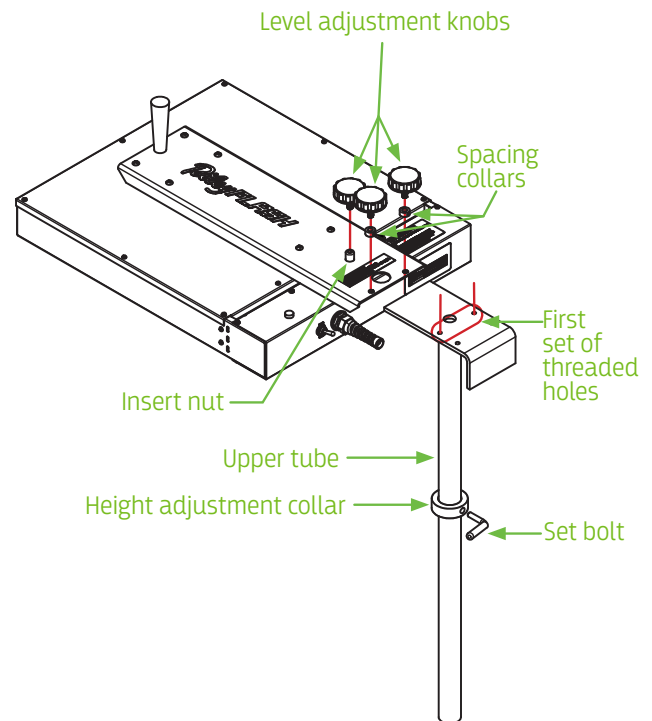
## Step 7

12. Lay your Flash Heater onto a smooth surface so not to scratch the black surface of the heating element.
13. Locate the Top Bracket, 1/4"-20 Hex-Bolt, Black Handle and (6) 1-3/4" self-tapping Screws.
14. Insert the 1/4"-20 Hex-Bolt thru the hole in the Mounting Bracket. Thread the Black Handle onto the Bolt, securing it tightly.
15. Attach the Top Bracket your Flash Heater using the (6) 1-3/4" self-tapping Screws. Thread the Screws into the pre-punched holes on the top panel of your Flash. Tighten the Screw snugly, while careful not to overtighten pulling screw threads thru sheet metal.



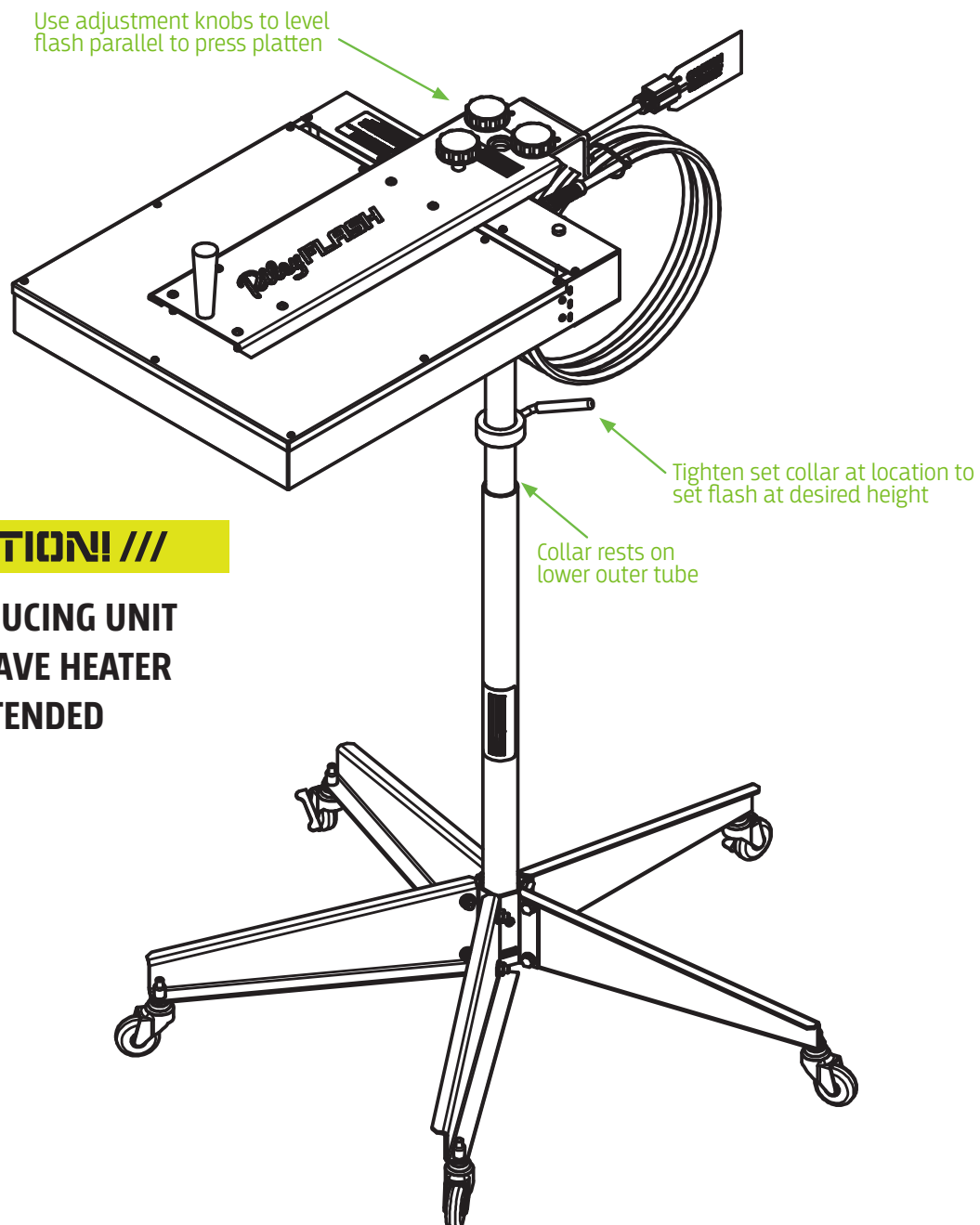
## STEP 8

- (It may be helpful to rest your Flash Heater on a table for this step of attaching the Upper Tube)
16. Locate (2) of the Level Adjustment Knobs and the (2) Spacing Collars.
  17. Slide each of the Collars onto threads of the Adjustment Knobs.
  18. Insert the curved plate welded to the Upper Tube between the Top Bracket and your Flash Heater.
  19. Align the First Set of Threaded Holes of the Upper Tube with the thru holes on the Top Bracket.
  20. Thread the Adjustment Knobs with Spacing Collars thru the Upper Bracket into the Threaded Holes.
  21. Locate the remaining Leveling Adjustment Knob.
  22. Thread the Knob into the Insert Nut on the Top Mounting bracket.
  23. Locate the Height Adjustment Collar and Bent Bolt.
  24. Slide the Height Adjustment Collar onto the Upper Tube.
  25. Using the Bent Bolt as a set screw, tighten onto the Upper Tube.



## STEP 9

26. Slide the Upper Tube into the Black Lower Tube until the Heater assembly rests on the Height Adjustment Collar.
27. Move your Flash Heater and Stand Assembly over your Press's Platen.
28. Using the (3) Level Adjustment Knobs, Level your Flash Heater to parallel with your Platen
29. Adjust the height of your Flash Heater. It is recommended that two people adjust the height of the Heater.
30. With one person holding the Flash Heater by the Black Handle and curved plate of the Upper Tube, loosen the Bent Set Bolt of the Height Adjustment Collar. Move your Flash Heater to the desired height and retighten the bolt to secure.



**/// CAUTION! ///**

**HEAT PRODUCING UNIT  
DO NOT LEAVE HEATER  
UNATTENDED**

## **MANUFACTURE'S WARRANTY**

All products are warranted against defects in workmanship at the time of shipment. The obligation under the above warranty shall be limited to the repair or replacement of any part or parts manufactured by the dryer manufacturer without charge F.O.B. factory that may prove defective within 12 months from the date of shipment, which are returned to dryer manufacturer. The above warranties are the only warranties made with respect to the equipment. There is no implied warranty of merchantability or of fitness.

**EXCLUSIONS:** There is no warranty on parts not manufactured by the dryer manufacturer, other than the respective manufacturer's warranty, if any. The warranty against defects shall not extend to damage caused from any of the following:

- Transport by carrier
- Corrosion
- Operation or use in a manner inconsistent with specifications and/or operating instructions
- Ordinary wear, accident, improper installation, or maintenance
- Alterations made to equipment in any way

Dryer manufacturer shall not be liable for losses or damages, including but not limited to incidental or consequential damages, suffered or incurred because the equipment proves to be defective either upon installation or during its operation or use. Shipment of defective parts to the dryer manufacturer and the return shipment of any repaired or replacement parts from the dryer manufacturer shall be the purchaser's/user's expense.