



Assembly Instructions

Riley Hopkins®

150

1-COLOR, 1-STATION



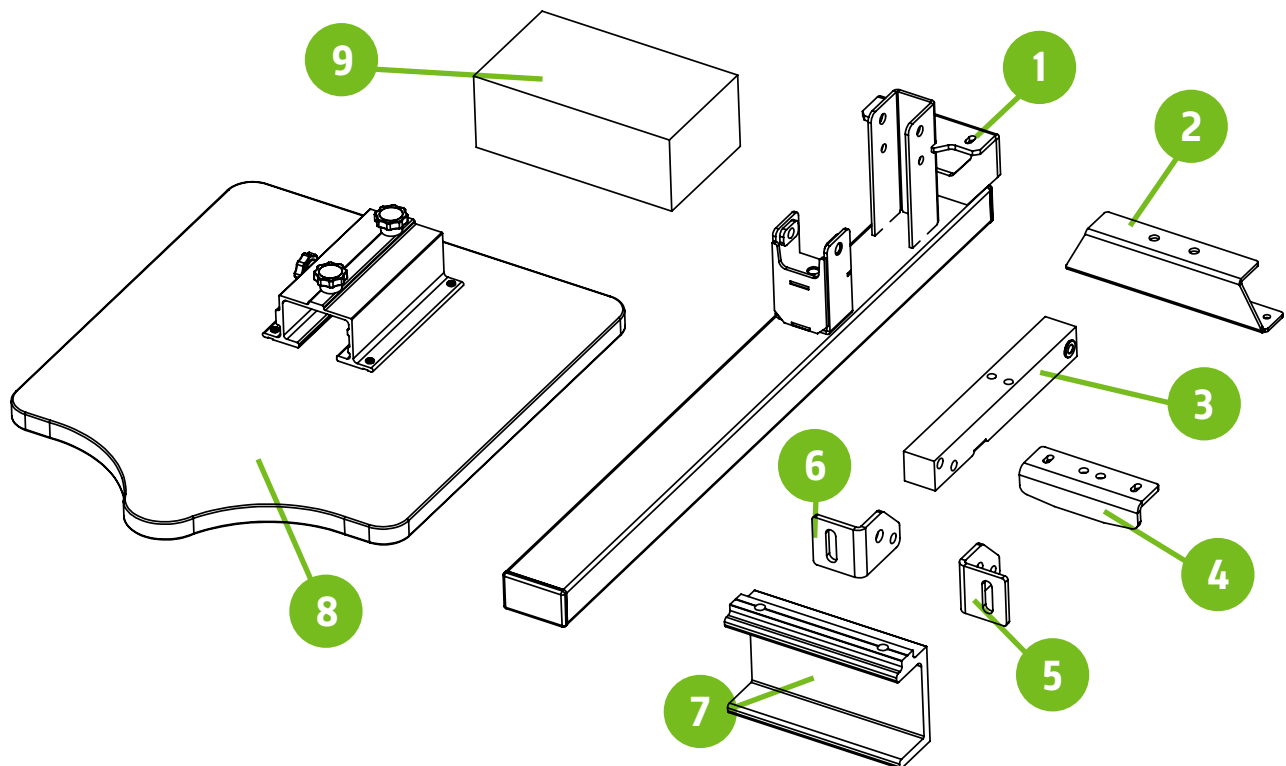


Tools Required:

- Two 9/16" wrenches
- Two 1/2" wrenches
- One Phillips screwdriver
- Tape measure or ruler

What's in the box

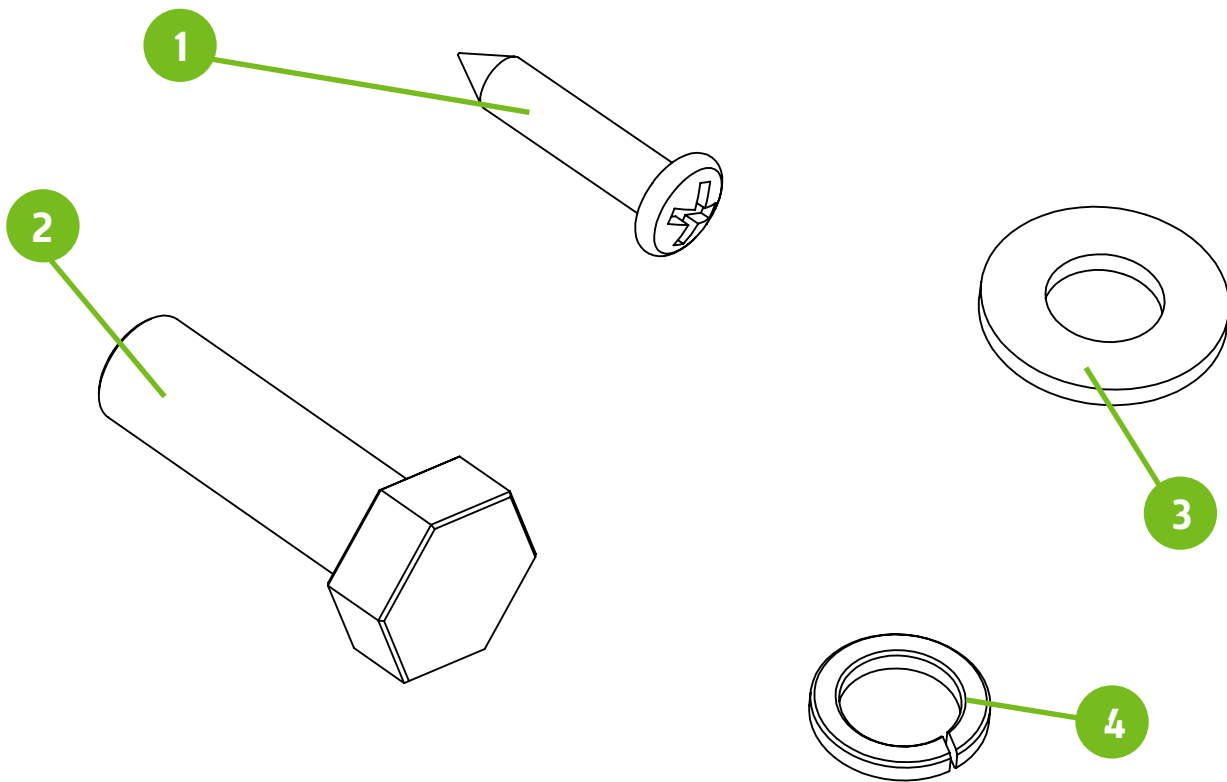
| Tag | ITEM | Qty. |
|-----|--------------------------------|------------|
| 1 | MAIN PRESS CORE ASSEMBLY | 1 PER UNIT |
| 2 | PRESS MOUNTING FOOT | 2 PER UNIT |
| 3 | COLOR ARM WITH HINGE BUSHINGS | 1 PER UNIT |
| 4 | COLOR ARM SPRING PLATE | 1 PER UNIT |
| 5 | RIGHT HAND OFF-CONTACT BRACKET | 1 PER UNIT |
| 6 | LEFT HAND OFF-CONTACT BRACKET | 1 PER UNIT |
| 7 | SCREEN CLAMP | 1 PER UNIT |
| 8 | 16" X 16" WOOD PLATEN ASSEMBLY | 1 PER UNIT |
| 9 | HARDWARE BOX | 1 PER UNIT |



PRSA-RH150MTG-KIT

RILEY 150 MOUNTING HARDWARE KIT

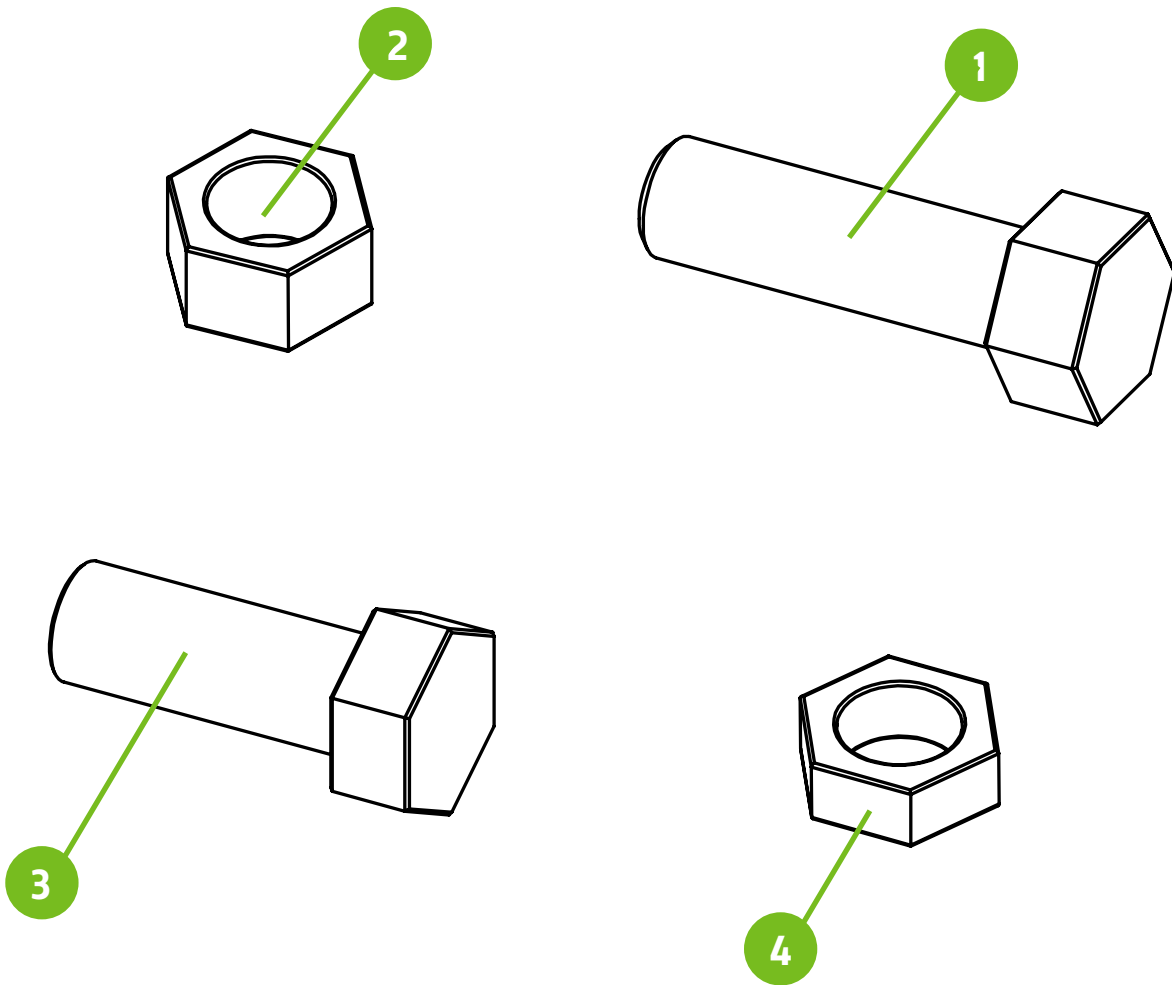
| Tag | NAME/ID | DESCRIPTION | Qty. |
|-----|---------------------|--------------------------------|------|
| 1 | PRCO-JRFTMTHDWP | TABLETOP PRESS MOUNTING SCREWS | 1 |
| 2 | PRHD-HC5/16NC1GR5ZC | 5/16-18 X 1" HEX CAP SCREW | 4 |
| 3 | PRHD-WA5/16USSGR5ZC | 5/16" FLAT WASHER | 4 |
| 4 | PRHD-LWA5/16GR5ZC | 5/16" LOCK WASHER | 4 |



PRSA-RH150GATE-KIT

RILEY 150 REGISTRATION GATE HARDWARE KIT

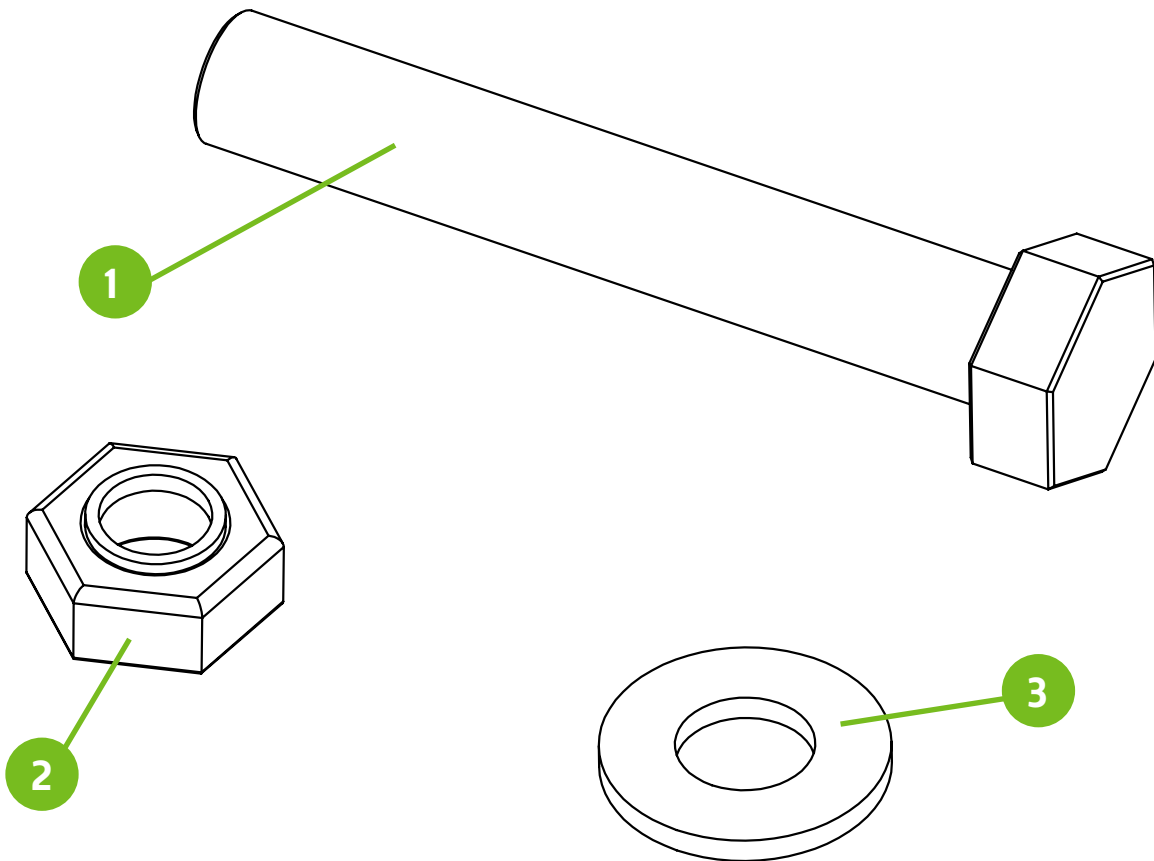
| Tag | NAME/ID | DESCRIPTION | Qty. |
|-----|------------------------|-------------------------------------|------|
| 1 | PRHD-HC3/8NC1-1/2NYBLK | 3/8-16 X 1-1/2" NYLON HEX CAP SCREW | 2 |
| 2 | PRHD-HN3/8NCGR5ZC | 3/8-16 HEX NUT | 2 |
| 3 | PRHD-HC3/8NC1GR5ZC | 3/8-16 X 1 HEX CAP SCREW ZINC | 1 |
| 4 | PRHD-JN3/8NCGR5ZC | 3/8-16 JAM NUT | 1 |



PRSA-RH150HINGE-KIT

RILEY 150 COLOR ARM HINGE HARDWARE KIT

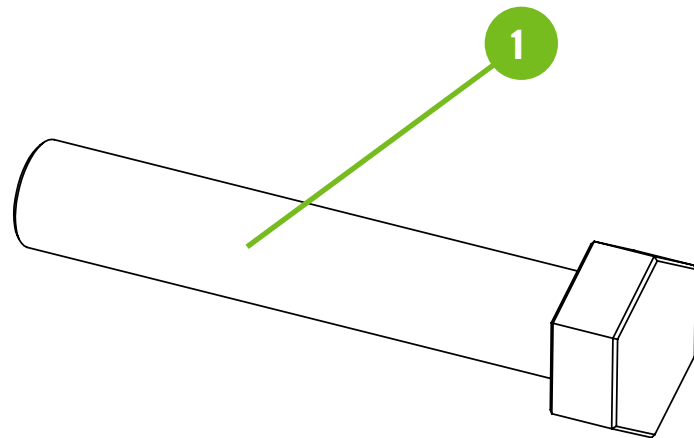
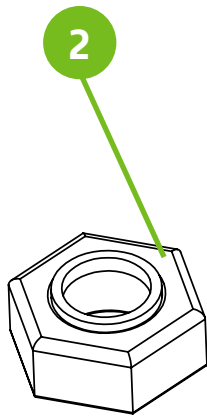
| Tag | NAME/ID | DESCRIPTION | Qty. |
|-----|----------------------|---------------------------|------|
| 1 | PRHD-HC5/16NF2GR8ZY | 5/16-24 X 2 HEX CAP SCREW | 1 |
| 2 | PRHD-LNYN5/16NFGR5ZC | 5/16-24 LOWPRO NYLOC NUT | 1 |
| 3 | PRHD-WA1/4USSGR5ZC | 1/4" FLAT WASHER | 2 |



PRSA-RH150SPG-KIT

RILEY 150 COLOR ARM SPRING PLATE HARDWARE KIT

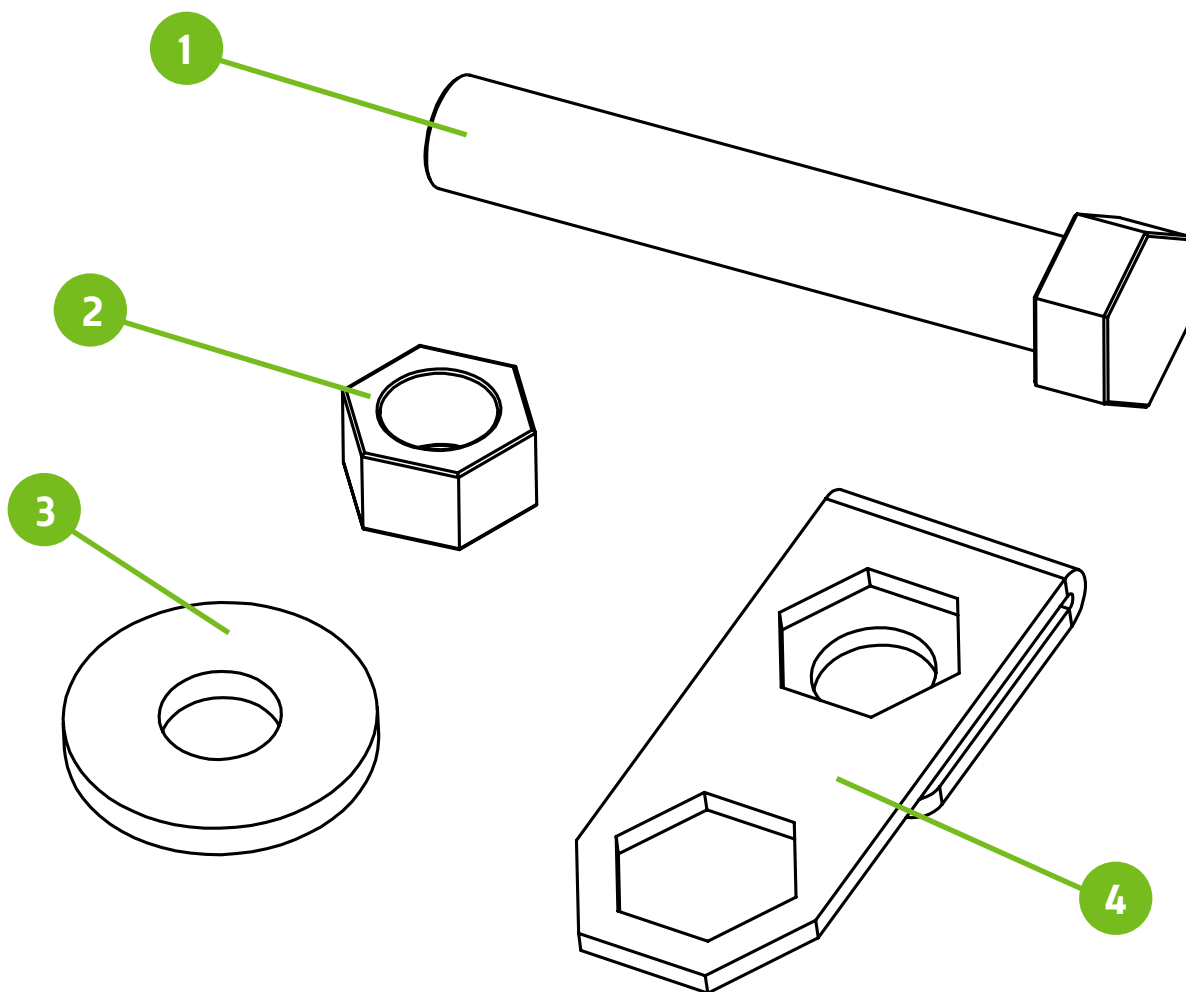
| Tag | NAME/ID | DESCRIPTION | Qty. |
|-----|-------------------------|-------------------------------|------|
| 1 | PRHD-HC5/16NC1-3/4GR5ZC | 5/16-18 X 1 3/4 HEX CAP SCREW | 2 |
| 2 | PRHD-LNYN5/16NCGR5ZC | 5/16-18 LOWPRO NYLOC NUT | 2 |



PRSA-RH150TILT-KIT

RILEY 150 OFF-CONTACT BRACKET HARDWARE KIT

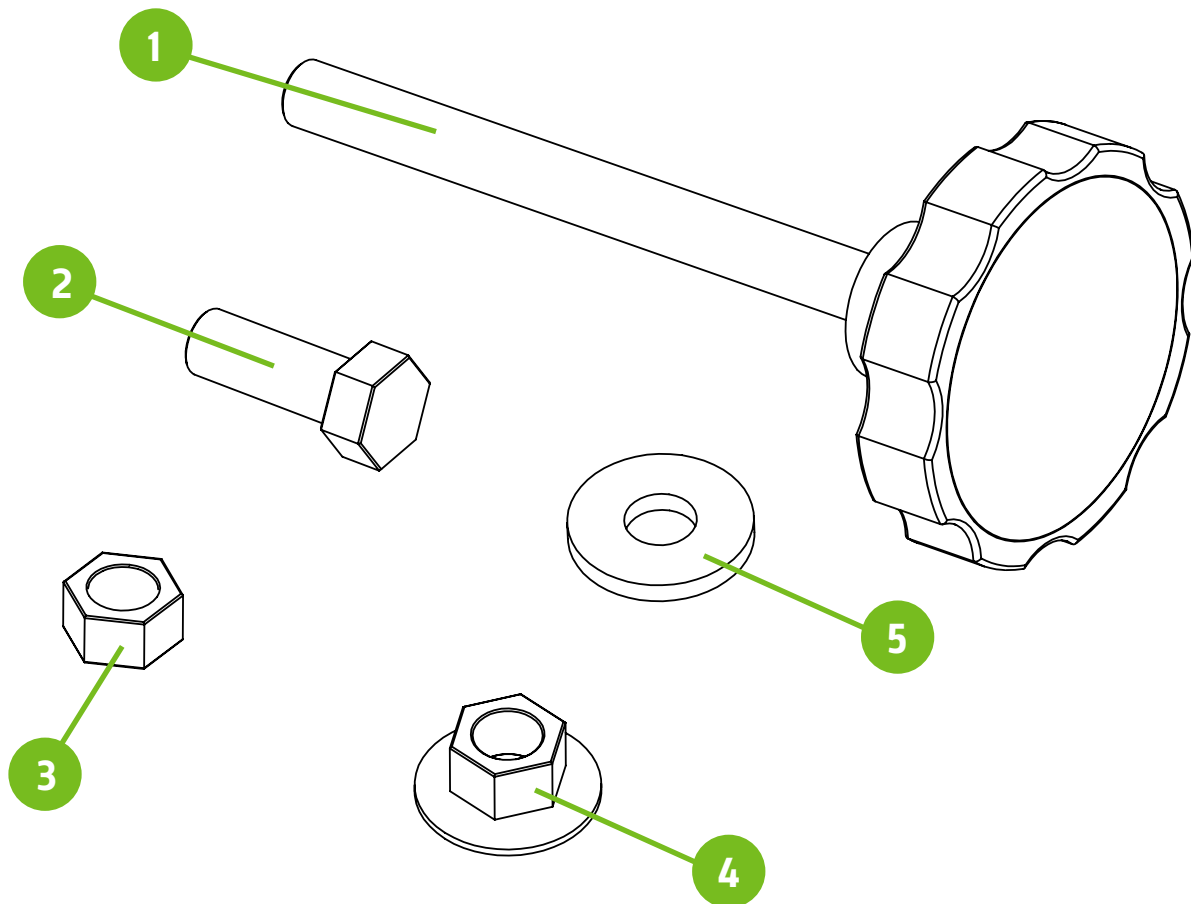
| Tag | NAME/ID | DESCRIPTION | Qty. |
|-----|------------------------|-------------------------------|------|
| 1 | PRHD-HC3/8NC2-1/4GR5ZC | 3/8-16 X 2-1/4 HEX CAP SCREW | 2 |
| 2 | PRHD-HN3/8NCGR5ZC | 3/8-16 HEX NUT | 2 |
| 3 | PRHD-WA3/8USSPFC9ZY | 3/8 THICK FLAT WASHER-YELLOW | 3 |
| 4 | MFPB-RH150CLIP | RILEY 150 BOLT RETAINING CLIP | 1 |



PRSA-RH150CLMP-KIT

RILEY 150 SCREEN CLAMP HARDWARE KIT

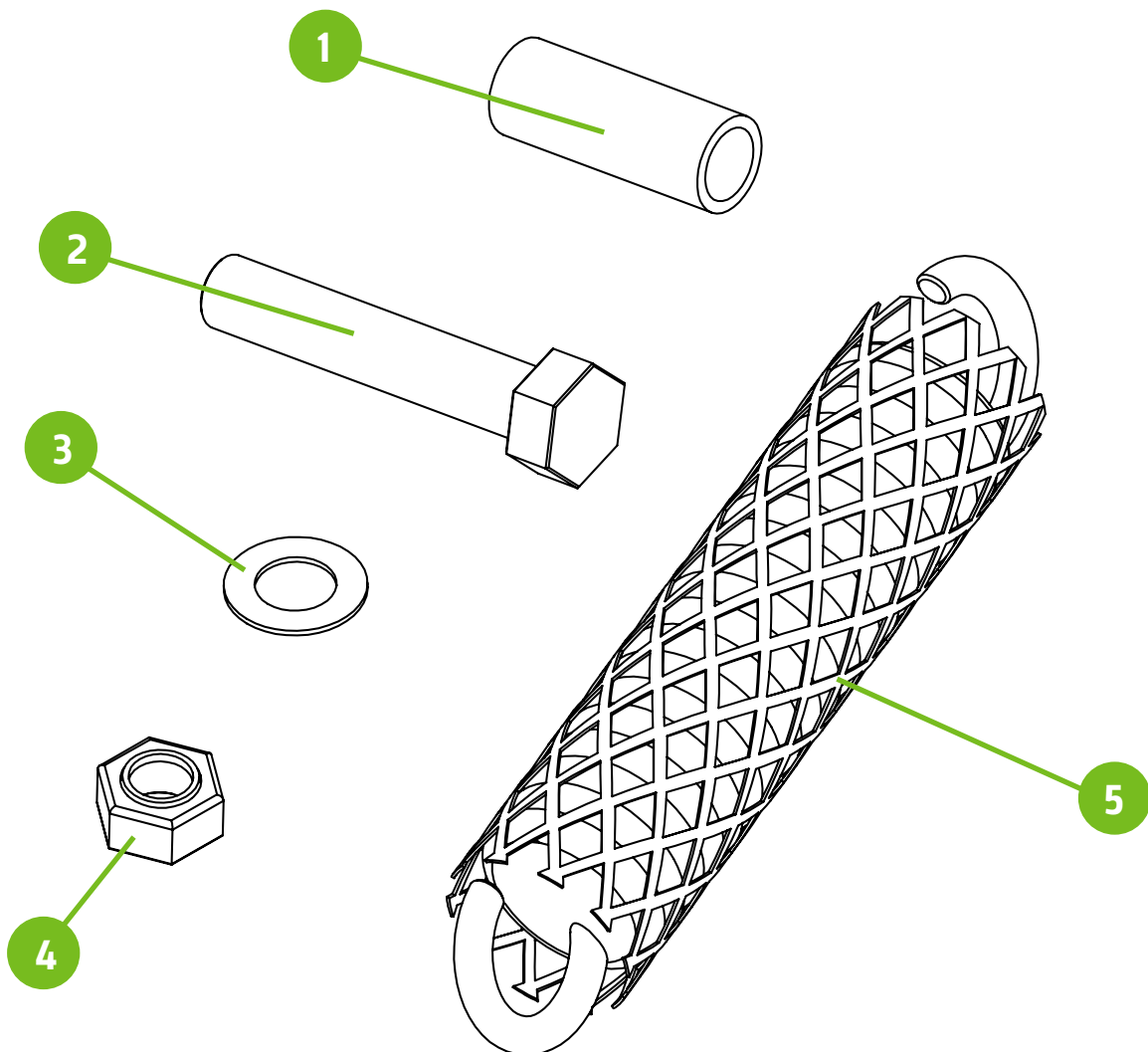
| Tag | NAME/ID | DESCRIPTION | Qty. |
|-----|---------------------|-----------------------------------|------|
| 1 | PRCO-KNBFLT3/8NC4ML | 3/8-16 X 4 CLAMP KNOB | 2 |
| 2 | PRHD-HC3/8NC1GR5ZC | 3/8-16 X 1 HEX CAP SCREW | 2 |
| 3 | PRHD-HN3/8NCGR5ZC | 3/8-16 HEX NUT | 4 |
| 4 | PRHD-KN3/8NC1WSHR | 3/8-16 KEPS NUT W/ CONICAL WASHER | 2 |
| 5 | PRHD-WA3/8USSPFC9ZY | 3/8 THICK FLAT WASHER-YELLOW | 2 |



PRSA-RH150STOP-KIT

RILEY 150 STOP BOLT/SPRING HARDWARE KIT

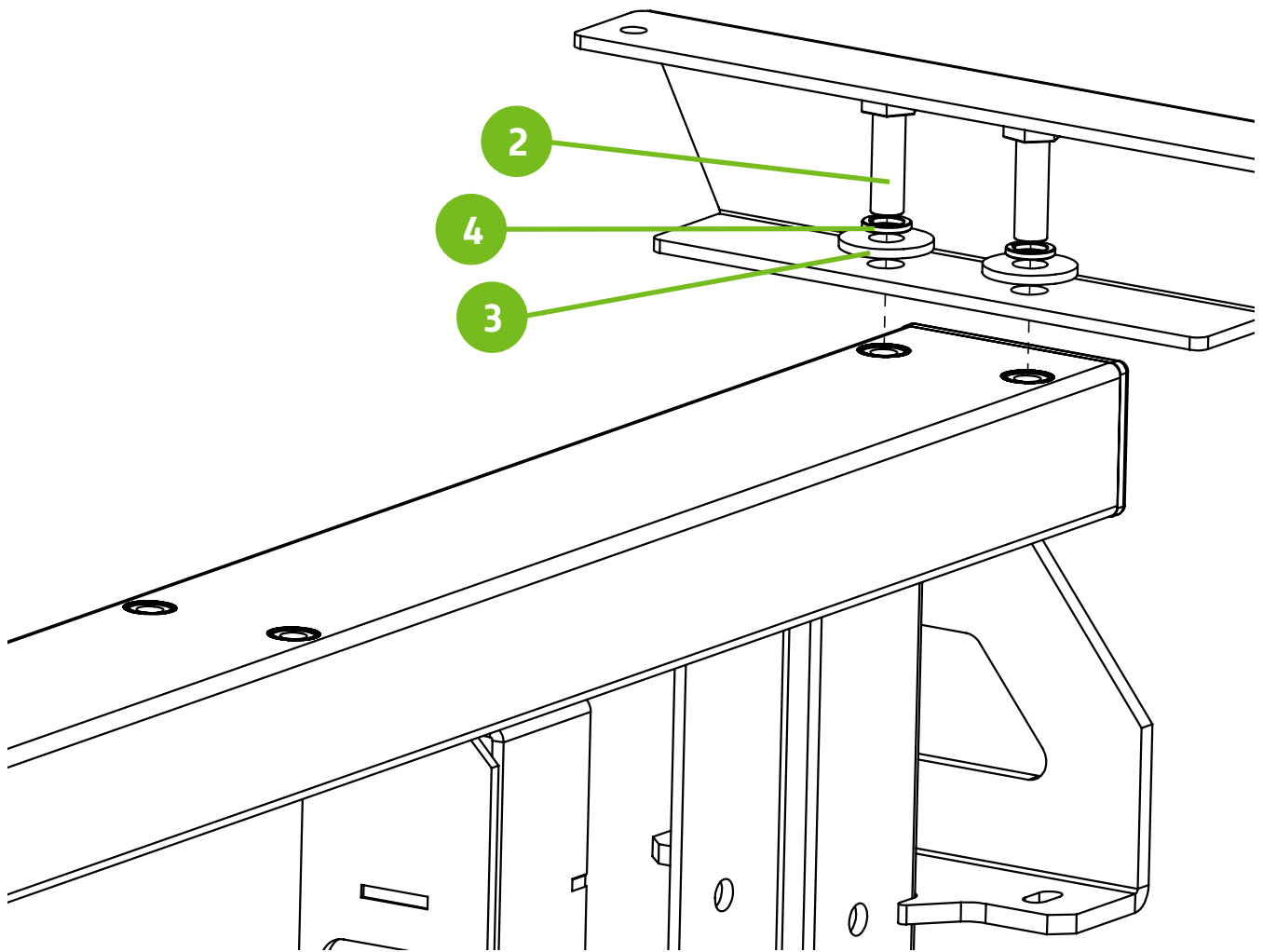
| Tag | NAME/ID | DESCRIPTION | Qty. |
|-----|-----------------------|-------------------------------|------|
| 1 | PRCO-BMPRBLTCVR-RH150 | RILEY 150 COLOR ARM BUMP STOP | 1 |
| 2 | PRHD-HC3/8NC2GR5ZC | 3/8-16 X 2 HEX CAP SCREW | 1 |
| 3 | PRHD-WA3/8SAE-SS | 3/8 STAINLESS WASHER | 2 |
| 4 | PRHD-LNYN3/8NCGR5ZC | 3/8-16 LOWPRO NYLOC NUT | 1 |
| 5 | PRSA-SPRINGKIT | PRINT HEAD SPRING W/ MESH | 2 |



Step 1

Attach the mounting feet to the main base assembly. One ½” wrench is required.

Note: Refer to Page 2 for hardware detail.

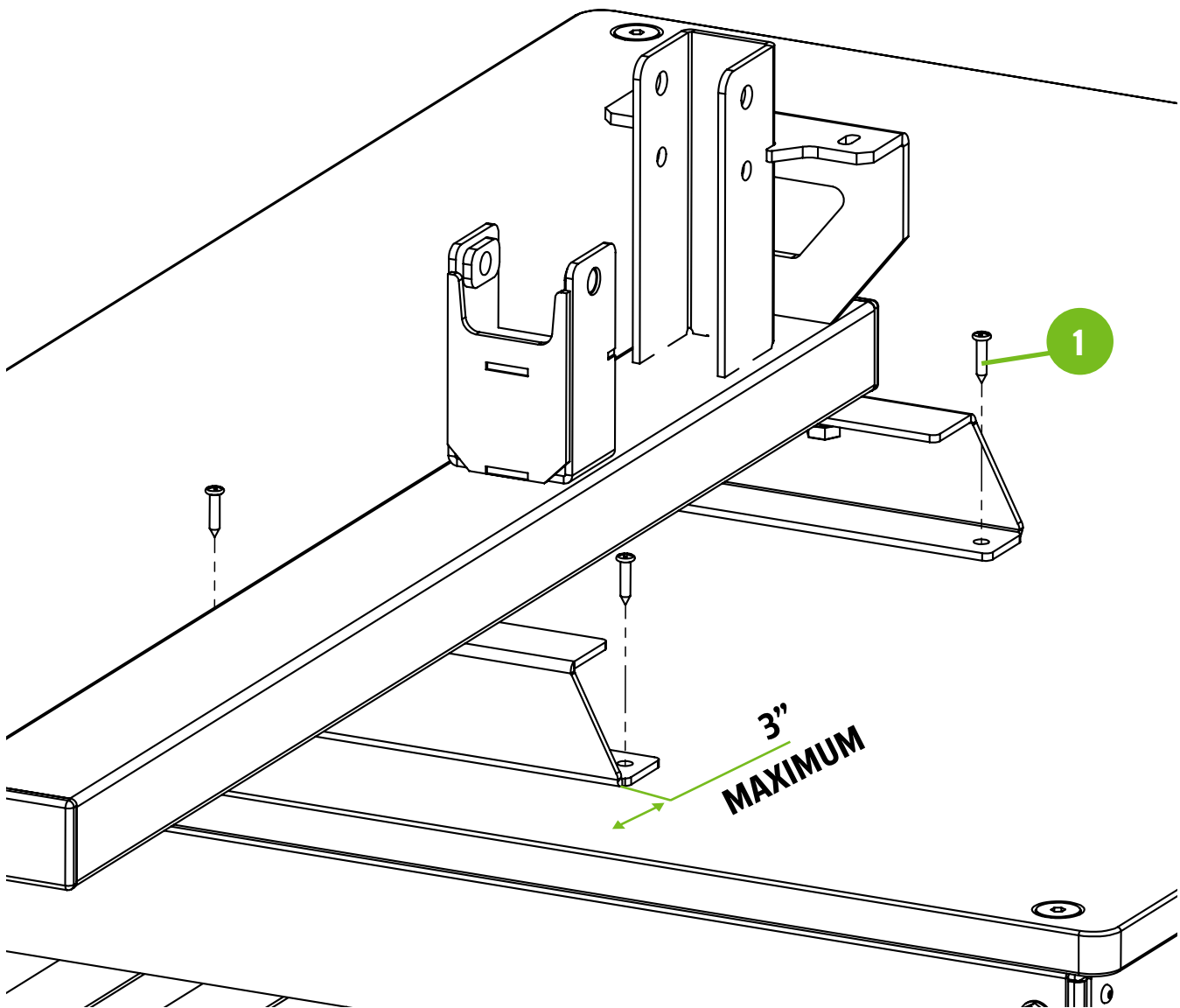


Step 2

Mount the press base to the preferred tabletop surface. Shown with optional press cart/screen storage unit.

Place front foot maximum 3" away from edge of tabletop surface for maximum platen adjustability. One Phillips head screwdriver is required.

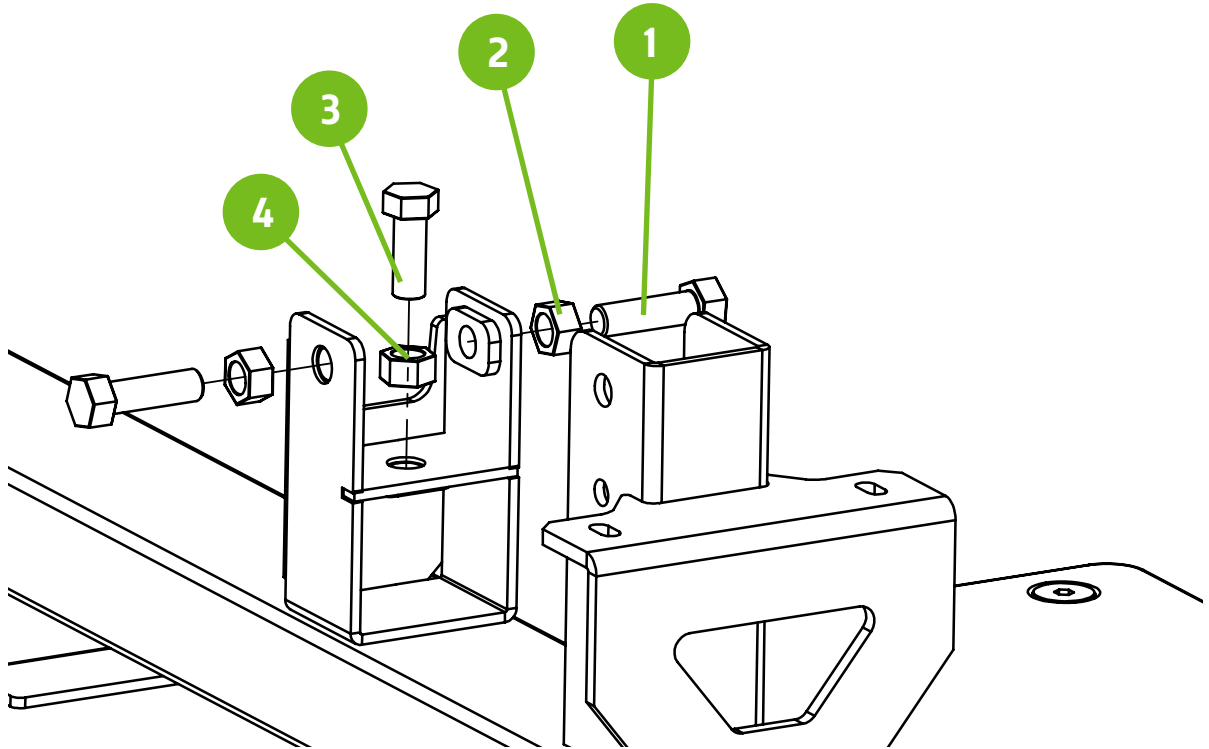
Note: Refer to Page 2 for hardware detail.



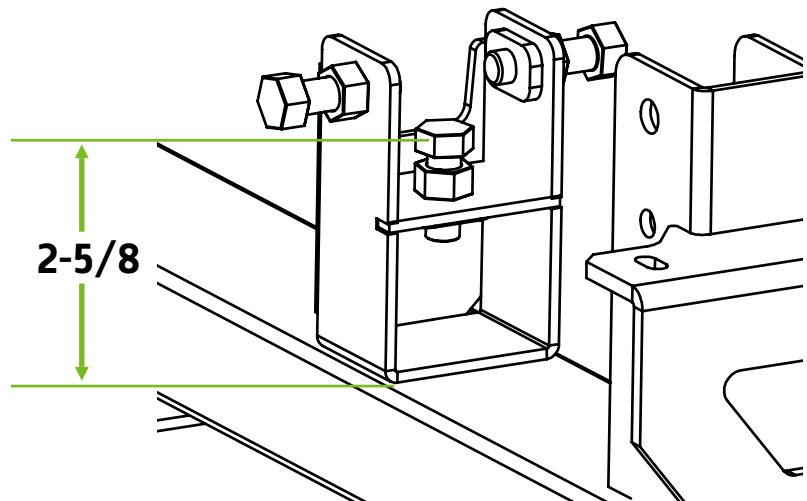
Step 3

Install the gate hardware. Do not fully tighten the nylon side registration bolts at this step. Two 9/16" wrenches are required.

Note: Refer to Page 3 for hardware detail.



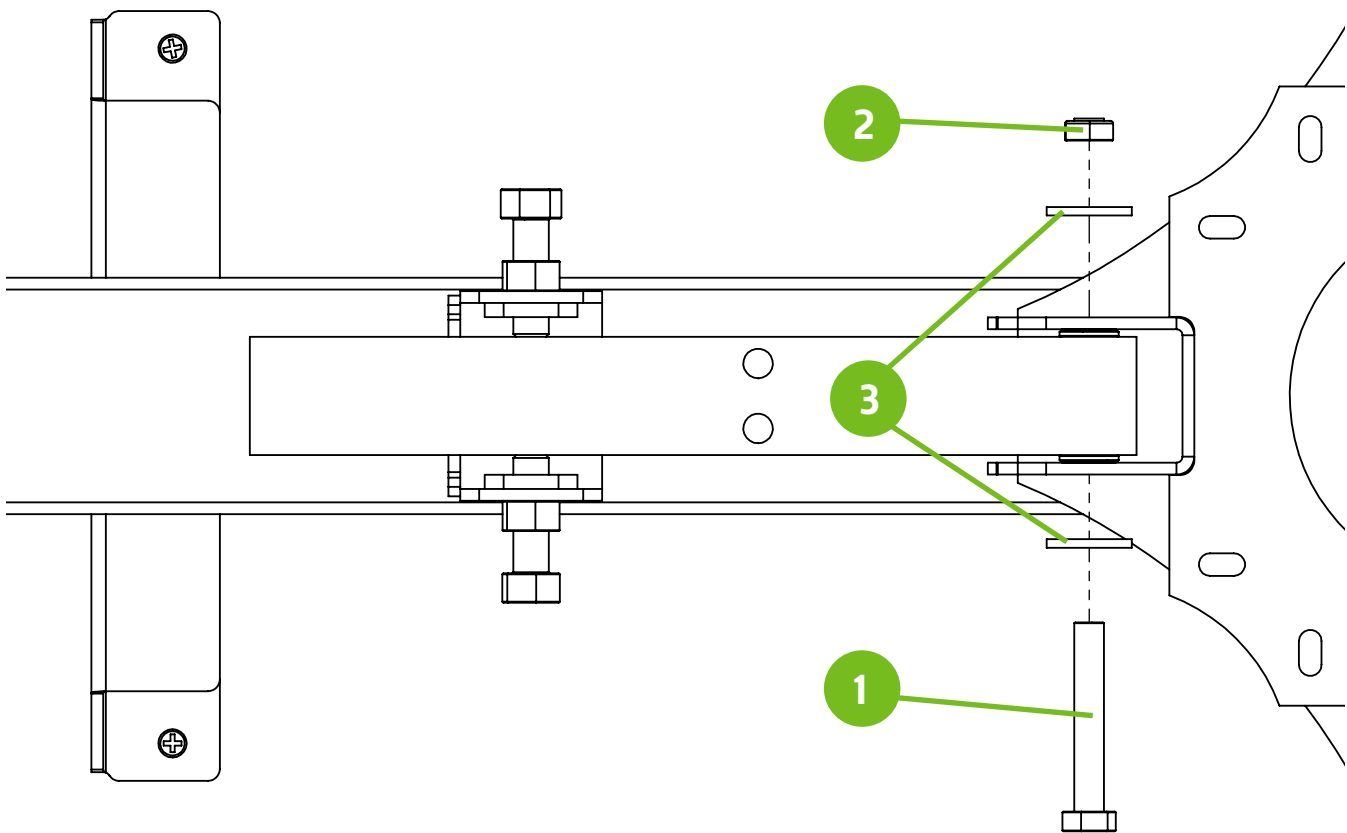
Set center Bolt 2-5/8" from top of bolt to top of base. Lock Jam nut to keep in place. Two 9/16" wrenches are required



Step 4

Install the Hinge hardware in the center of the three hinge pocket hole locations. Tighten the hardware to the point where there is some resistance but can still move up and down within the hinge pocket. Two 9/16" wrenches are required.

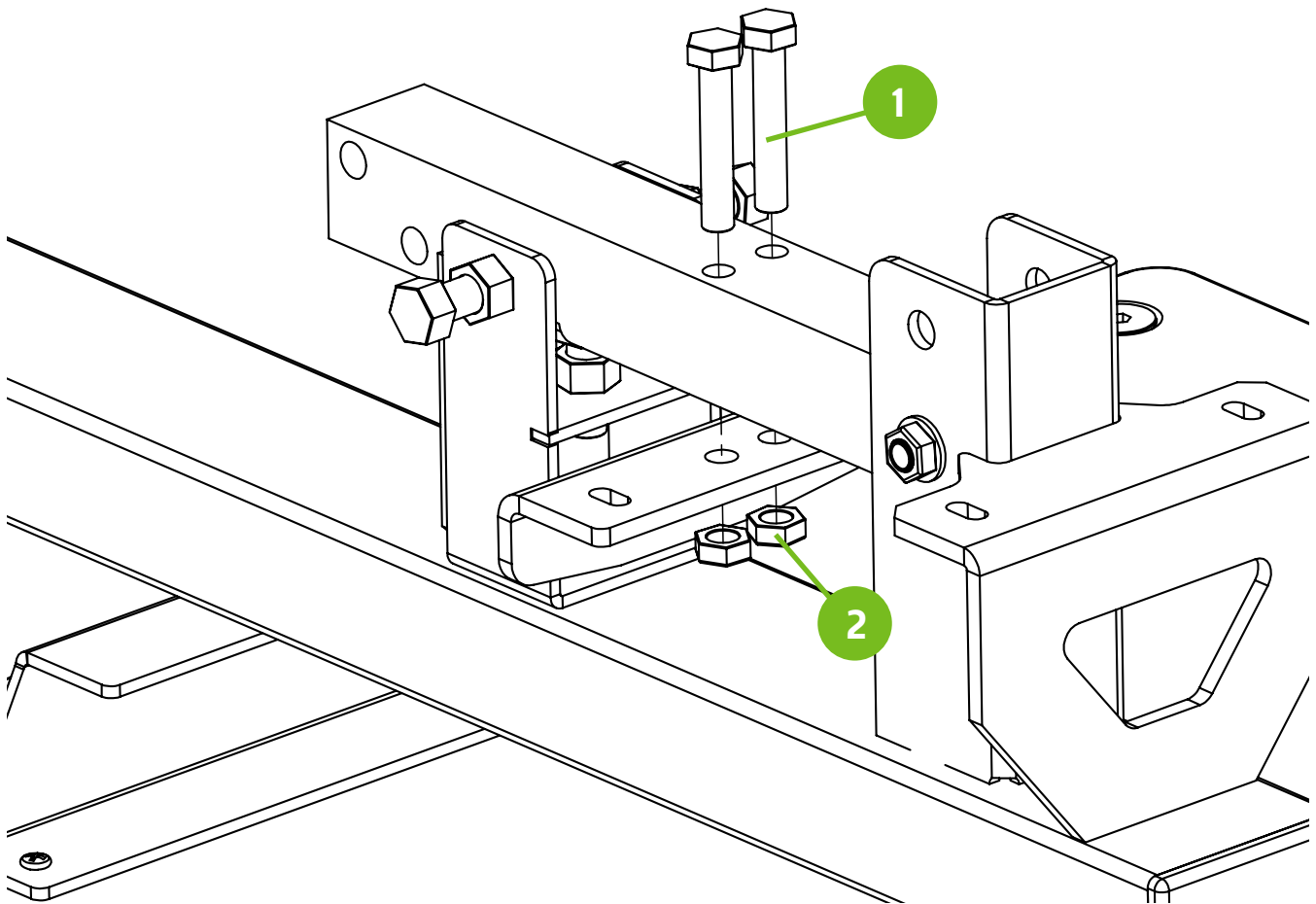
Note: Refer to Page 4 for hardware detail.



Step 5

Attach the color arm spring plate to the color arm bar. Ensure that the spring plate is square with the color arm bar before final tightening. Two ½" wrenches are required.

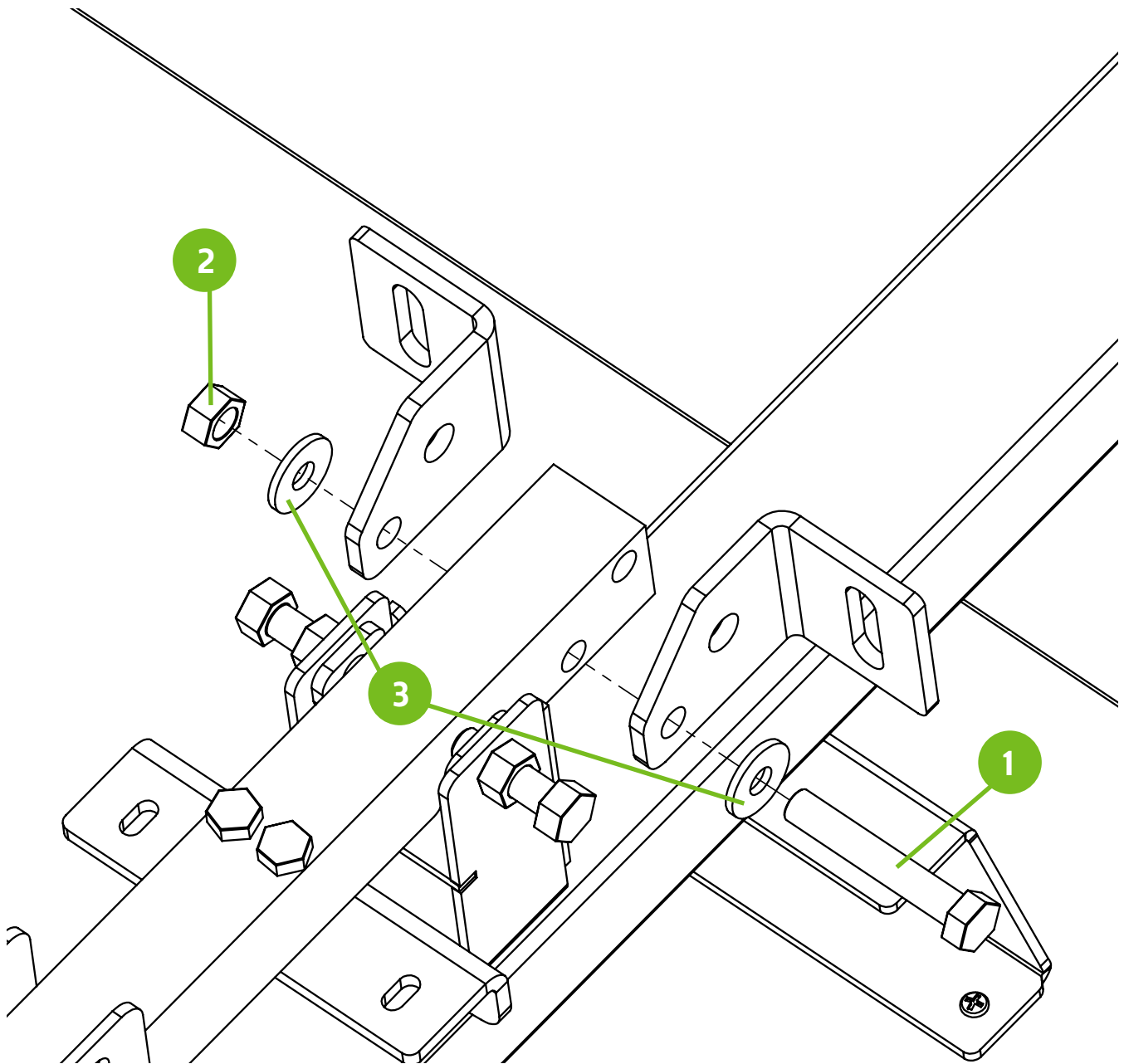
Note: Refer to Page 5 for hardware detail.



Step 6

Install the lower pivot bolt into the off-contact brackets and the color arm lower hole. Do not fully tighten the hardware at this step.

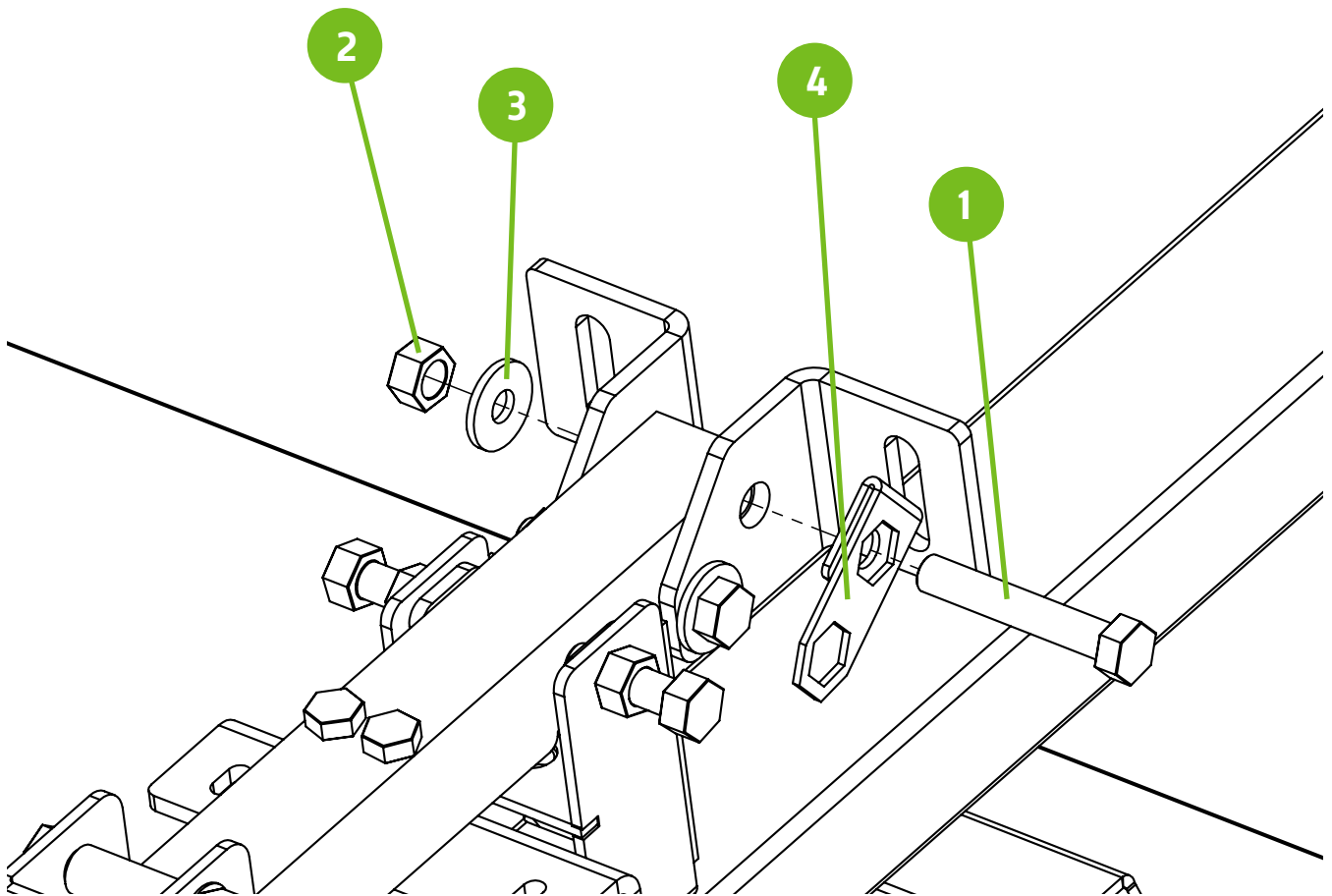
Note: Refer to Page 6 for hardware detail.



Step 7

Install the upper off-contact bolt and retaining clip. This step may require you to rotate the lower bolt previously installed in order to fully seat the clip to the off contact bracket. One 9/16 wrench is required.

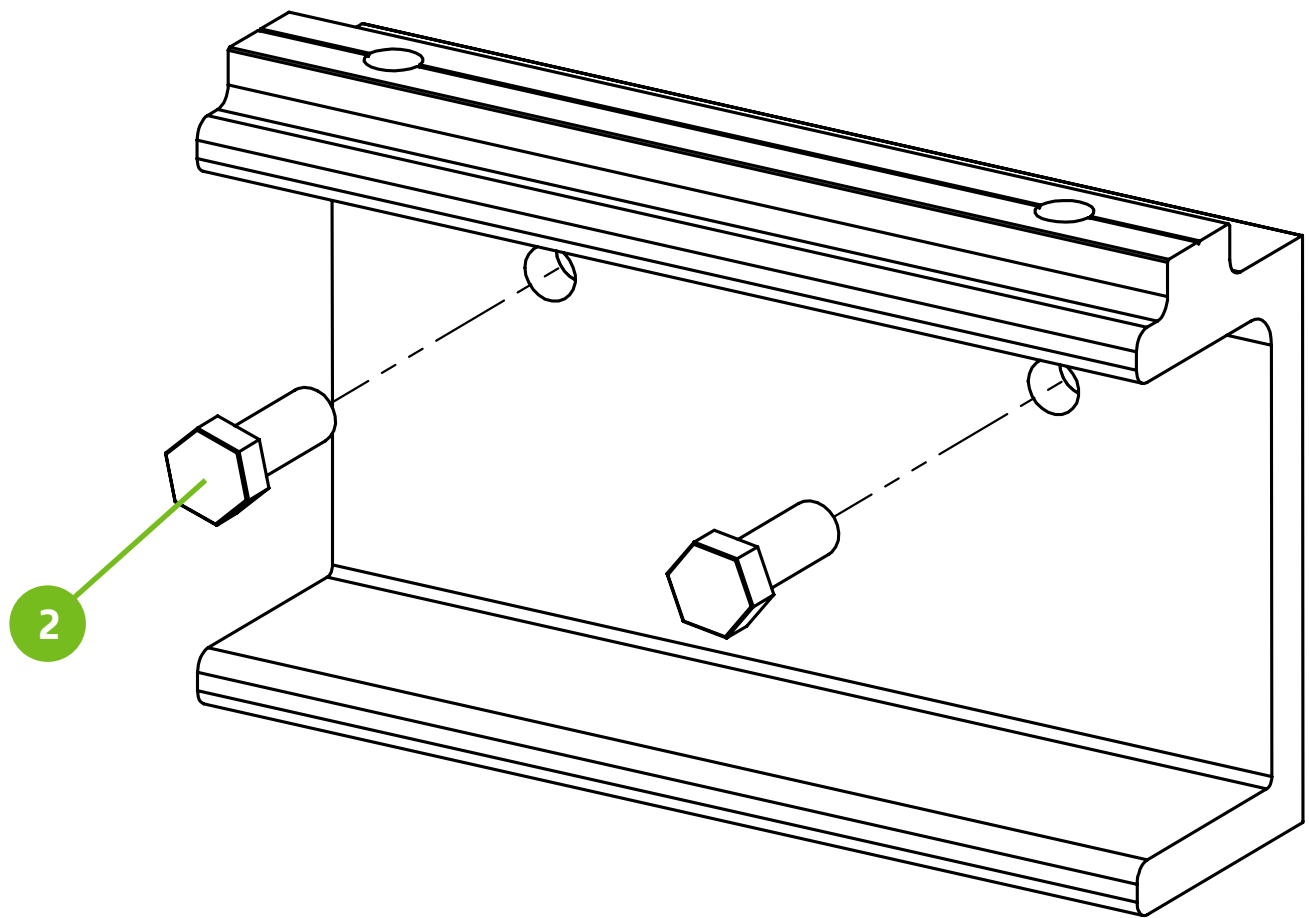
Note: Refer to Page 6 for hardware detail.



Step 8

Install the off-contact bracket bolts into the screen clamp. Fully tighten the hardware at this step. One 9/16" wrench is required.

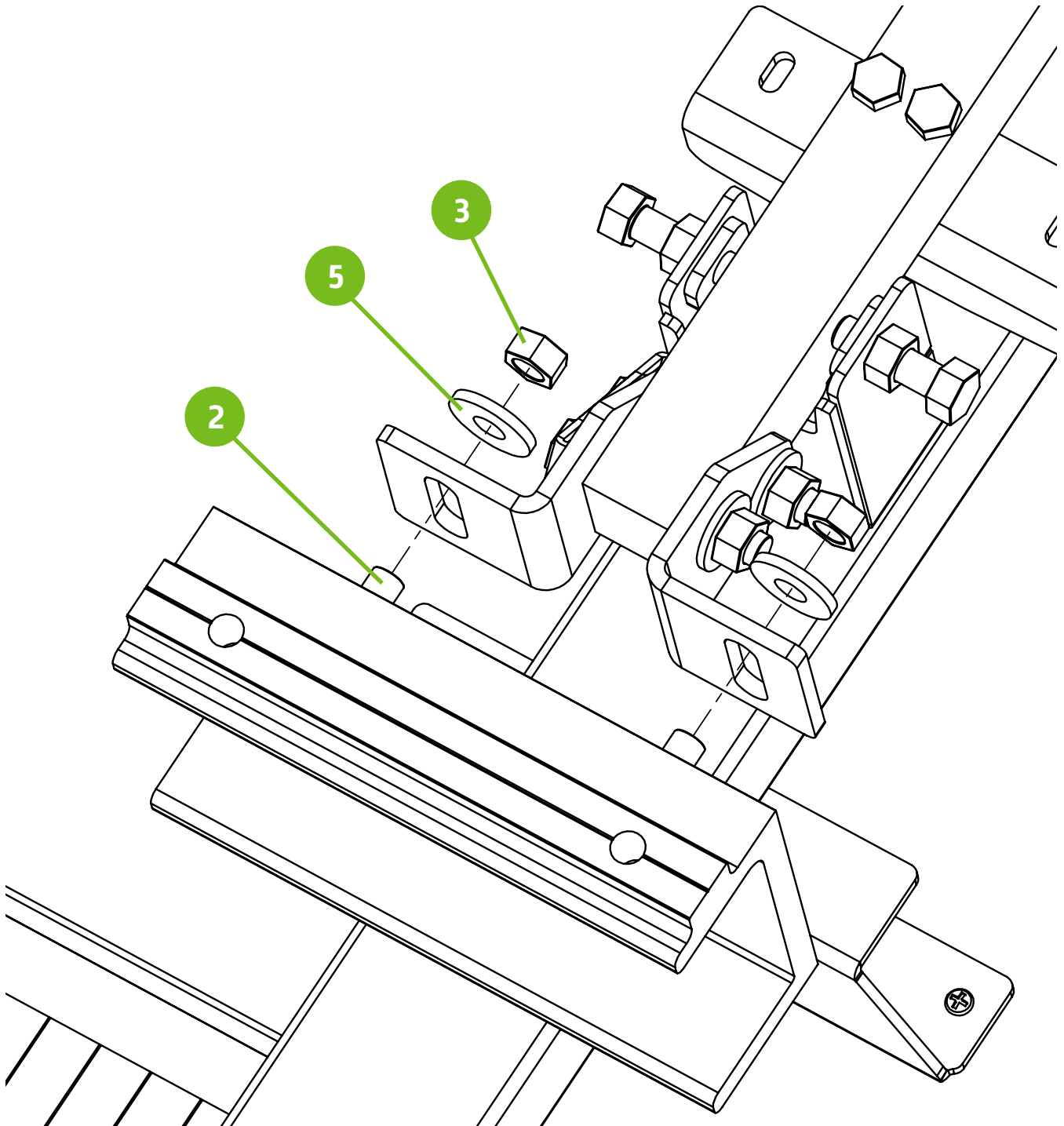
Note: Refer to Page 7 for hardware detail.



Step 9

Attach the screen clamp onto the slotted off-contact brackets. This will be your up down adjustment for printing after final assembly. One 9/16" wrench is required.

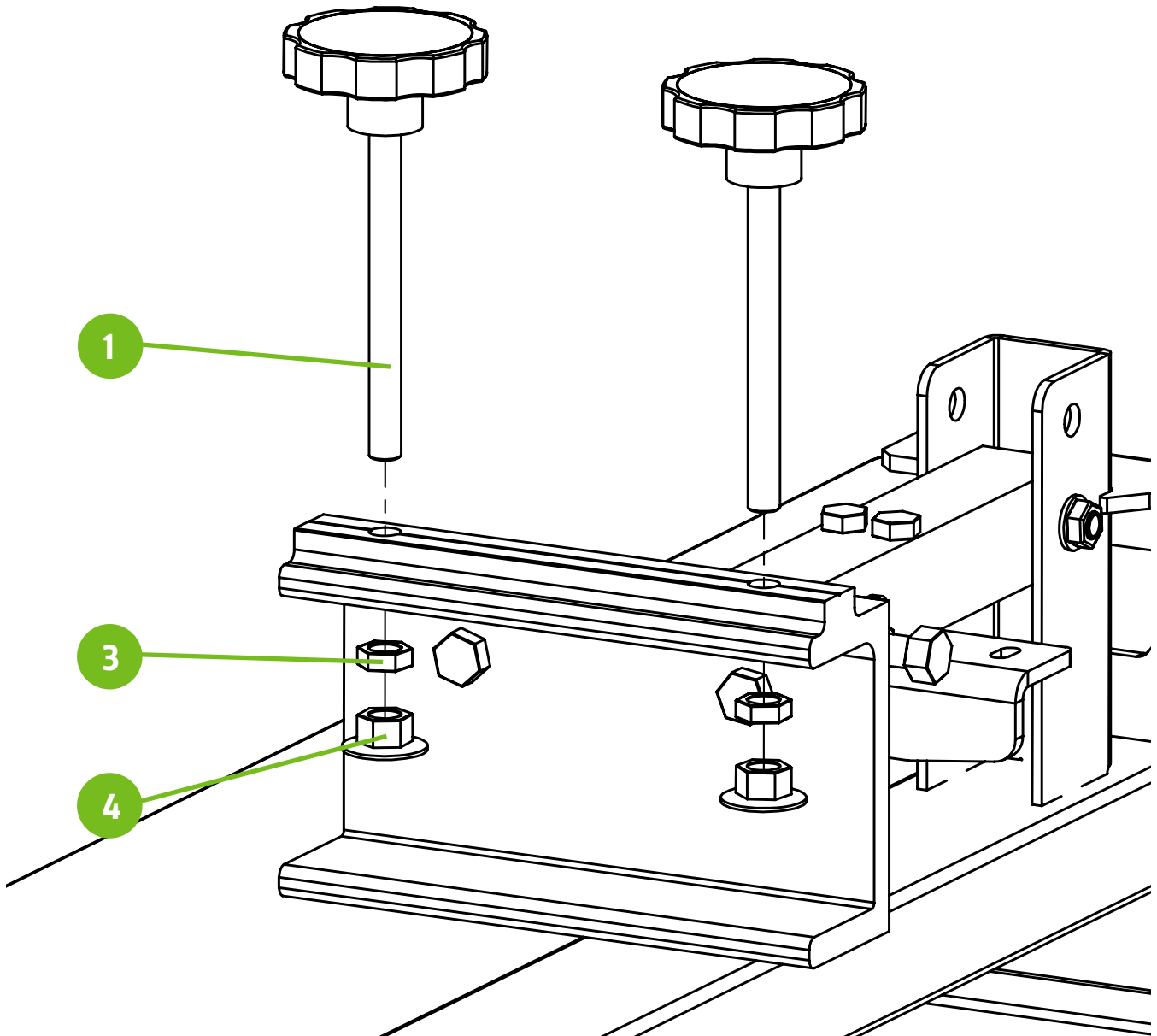
Note: Refer to Page 7 for hardware detail.



Step 10

Install the screen clamp knobs into the screen clamp. Make sure the knob stud does not protrude beyond the lower clamping conical washer. Lock the nut together in opposing directions in order to fix the clamping nuts to the stud. Two 9/16 wrenches are required.

Note: Refer to Page 7 for hardware detail.



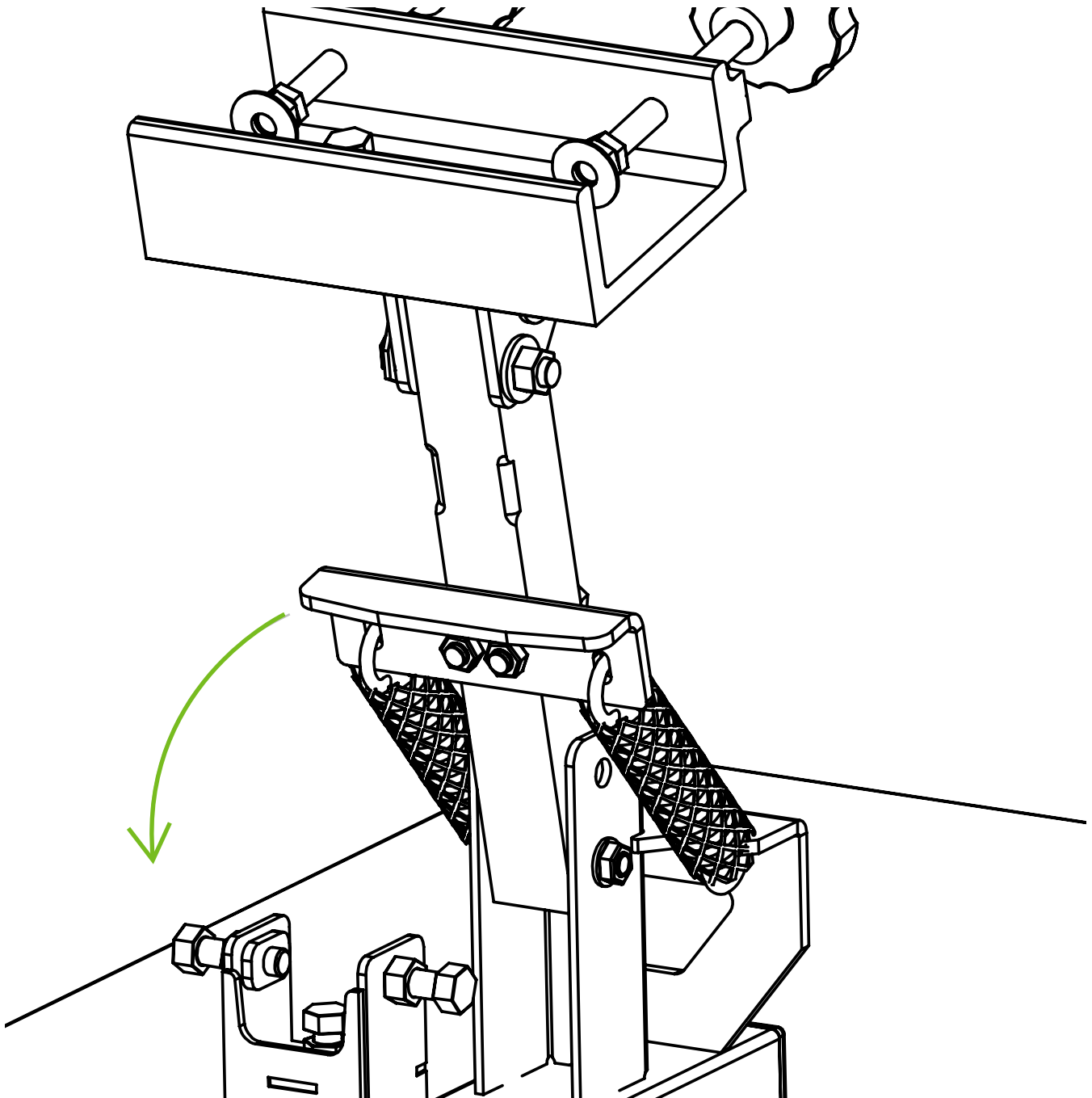
Step 11

/// CAUTION! ///

Install the print head lifting springs. The hooks **MUST** be facing upward. Once hooks are both installed pull the printhead assembly down into the registration gate.

EXTREME FORCE. PROCEED WITH CAUTION DURING THIS STEP.

Note: Refer to Page 8 for hardware detail.



Step 12

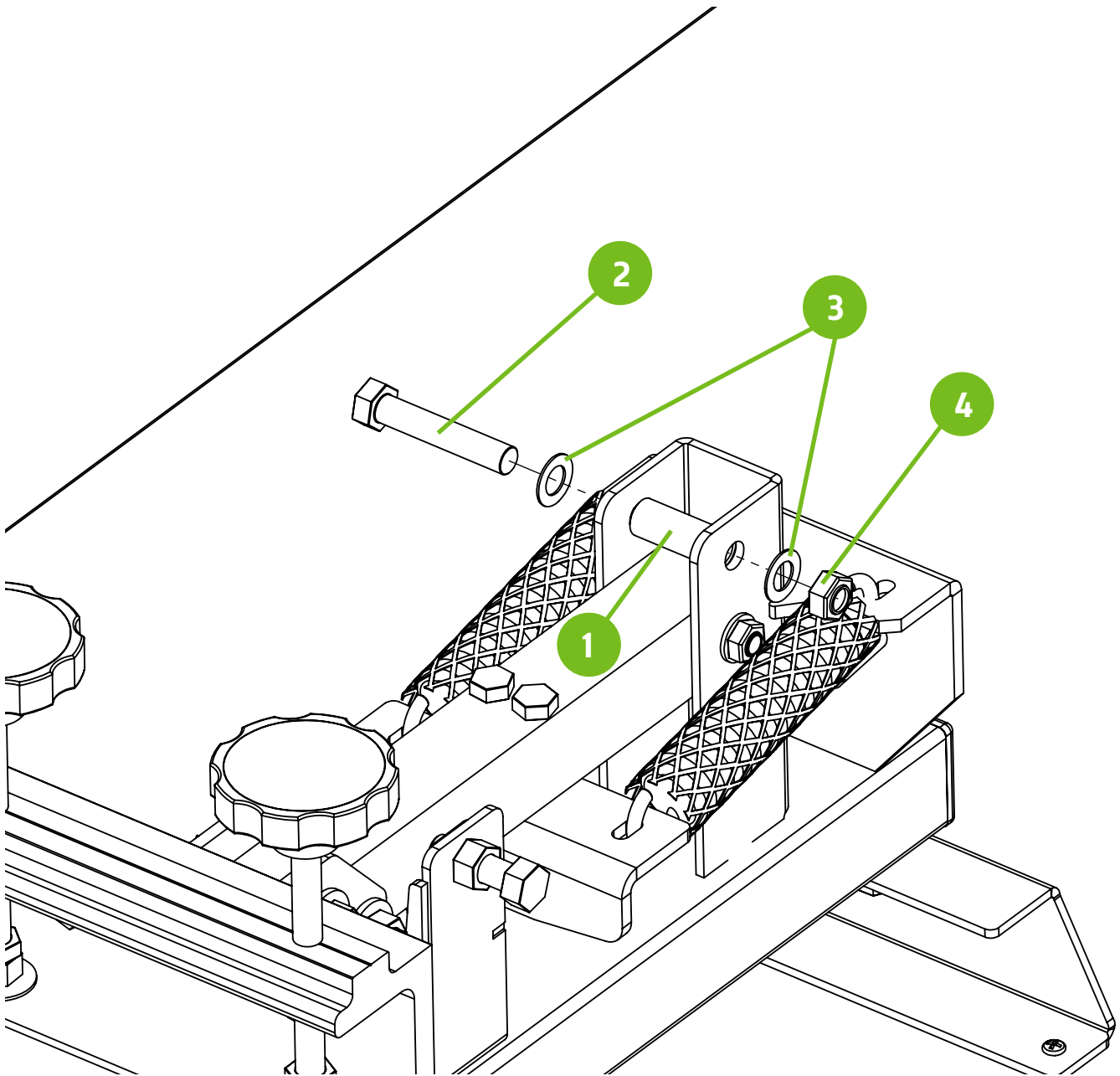
/// CAUTION! ///

Install the upper bumper bolt assembly and rubber stop.

DO NOT overtighten. Lightly snug nut to hinging pocket. Two 9/16 wrenches are required.

PINCH POINT. PROCEED WITH CAUTION DURING THIS STEP.

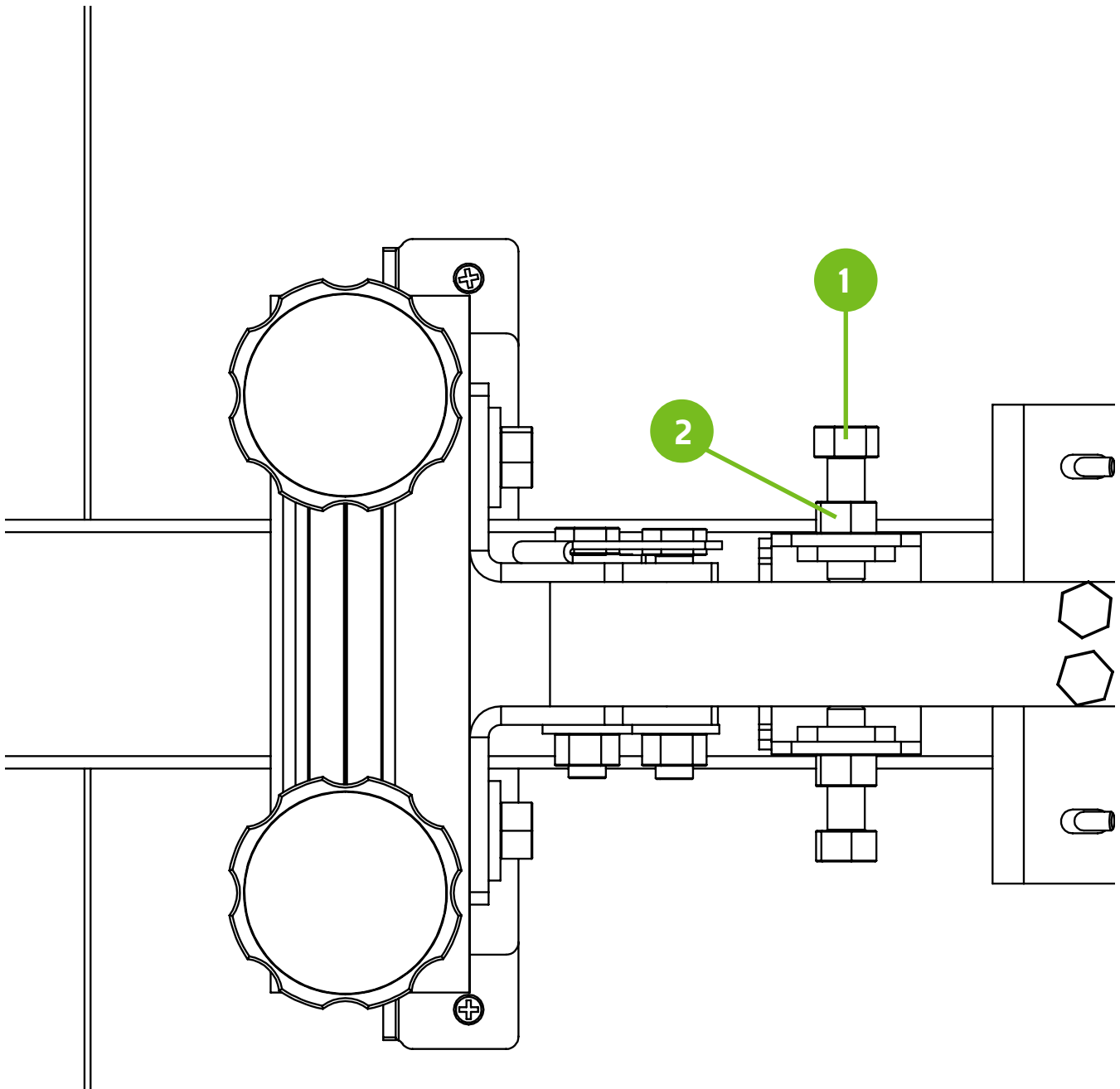
Note: Refer to Page 8 for hardware detail.



Step 13

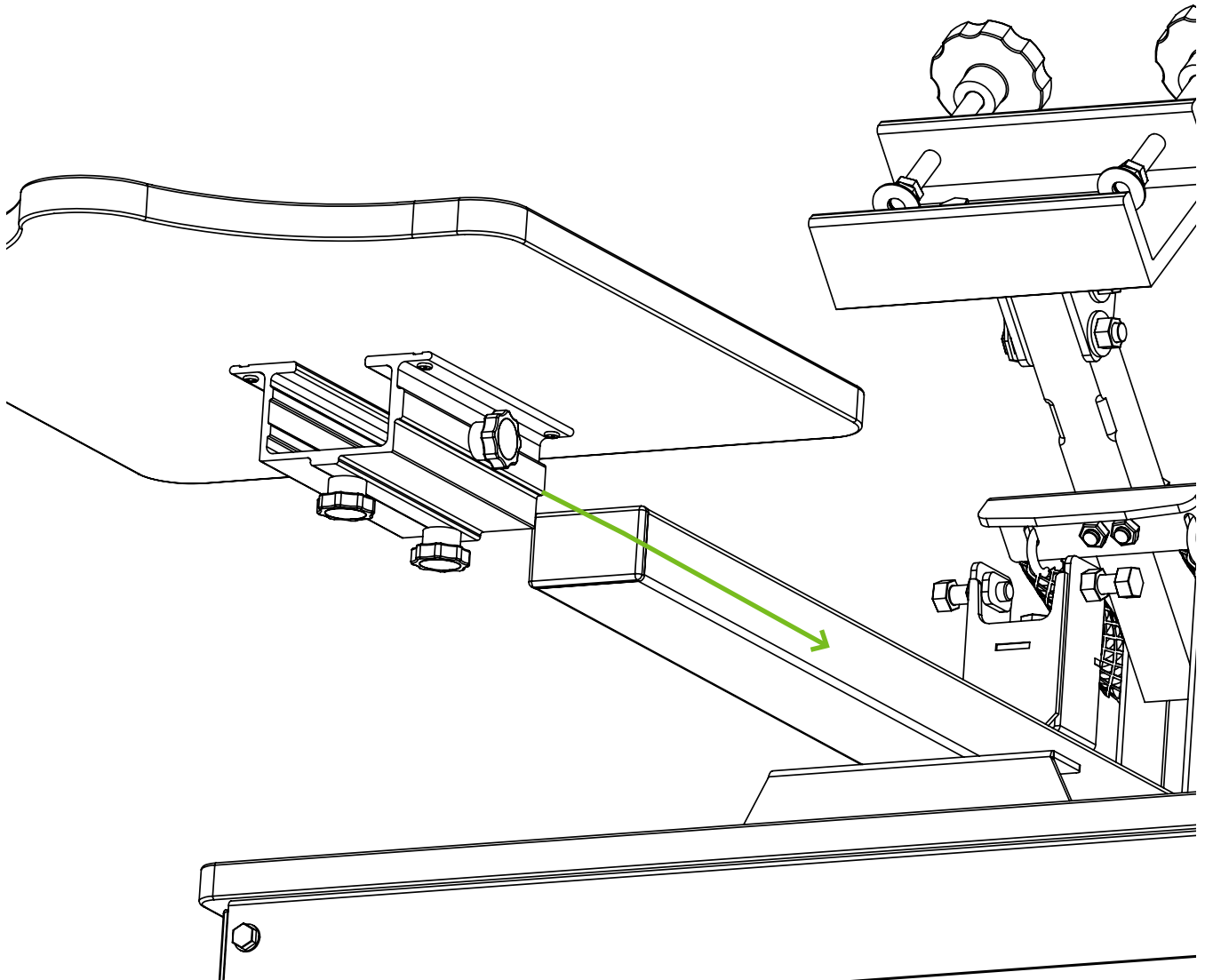
Adjust the side registration gate bolts and locking nuts. Center one of the print heads in the down position and align with the station arm. Snug the nylon bolts up to the color arm and lock the nuts against gate to hold in place. Two 9/16 wrenches are required.

Note: Refer to Page 3 for hardware detail.



Step 14

Install the Platen assembly to the station arm. Loosen the knobs before installation. It is adjustable front to back to help set the desired image placement on the garment. Lock in place with the three locking knobs tightly during print cycles.

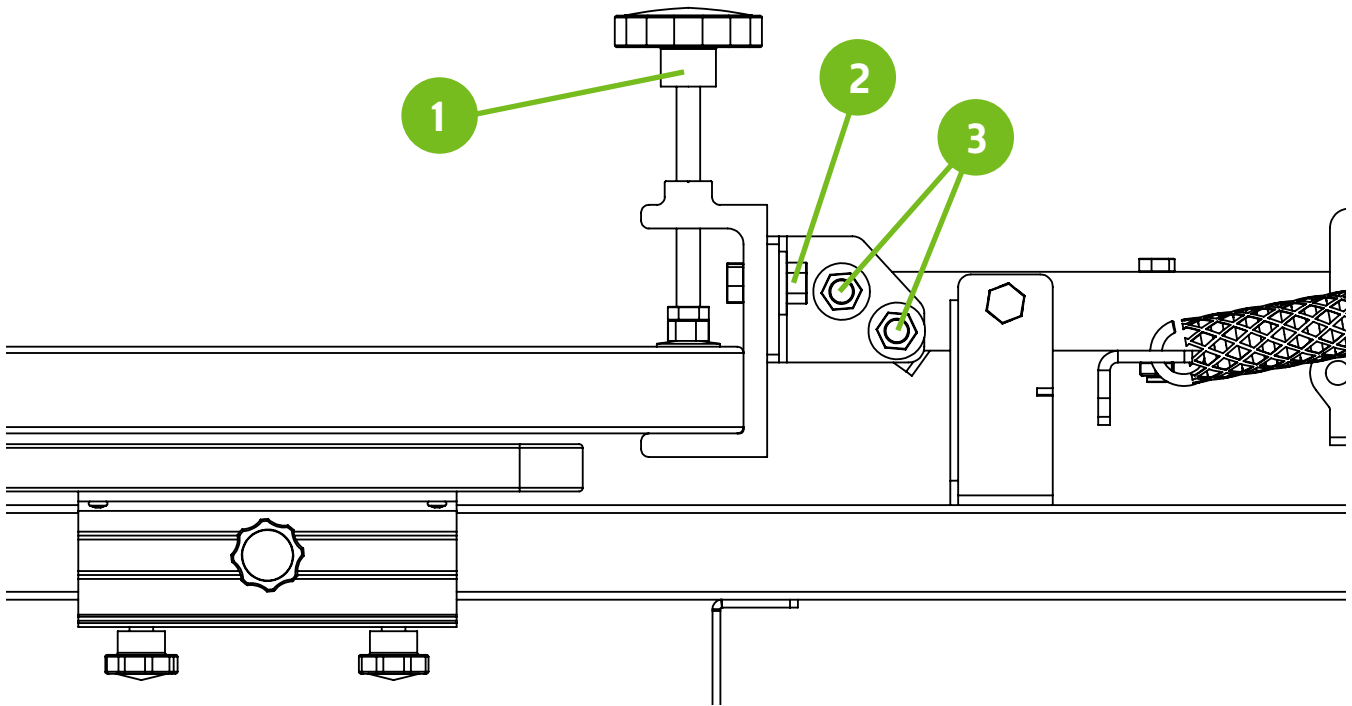


Step 15

Set up screen. First lock the screen in place with the screen clamping knobs **(1)**. It is ideal to fully seat the screen into the back of the screen clamp as shown.

Next, loosen the off-contact nuts **(2)** with a 9/16" wrench. Set the desired off contact position and retighten the nuts.

Lastly, set the tilt angle of the screen by loosening the tilt locking nuts **(3)**. Make sure to fully lock down the tilt hardware to avoid movement during printing.





While we take pride in our quality and do our best to ensure your satisfaction, Riley Hopkins™/Ryonet® does not assume any liability for damages, whether consequential or incidental, that may result from the misuse of below stated specifications.

LIMITED WARRANTY

GENERAL PROVISIONS: The warranties described below apply ONLY to the original purchasers of new Riley Hopkins™ presses from Ryonet®, purchased on or after April 20, 2013. Under these warranties, Ryonet® will repair or replace, as Ryonet® elects, covered defective parts, materials, or workmanship without charge for parts or the reasonable cost of labor related thereto. Ryonet® will use only new or re-manufactured parts or components furnished by Ryonet® or a Ryonet® authorized third party.

WARRANTY DURATION: A lifetime warranty shall apply to covered Riley Hopkins presses, parts, components and materials purchased by Band Members. Non-Band members who purchase a Riley press will receive the stated limited warranty for a 2-year period from date of purchase.

WHAT IS COVERED: This warranty covers all non-wearable parts, non-wearable components, and non-wearable materials of new Riley Hopkins™ presses. HOWEVER, the following items are excluded from the scope of this warranty: expendable parts (including but not limited to bearings, springs, nylon bolts, oilites and fasteners). FURTHER, Ryonet® does not warrant failure of parts or components resulting from misuse or lack of proper maintenance, or improper installation.

WHAT IS NOT COVERED: Installation, inspection, and routine maintenance costs are the sole responsibility of the purchaser; used equipment; any equipment modified or altered in any way not approved by Ryonet® in writing including, but not limited to, disassembling bearing components; routine maintenance and lubrication; consequences of negligence, misuse, accident, or improper application, installation, or storage of the press; consequences of any service performed by someone other than a Ryonet® authorized provider.

SECURING WARRANTY SERVICE: Warranty service must be requested of the nearest Ryonet® location. At the time of requesting warranty service, the person or entity requesting warranty service must be prepared to present evidence that it was the original purchaser of the Riley Hopkins™ press(es).

Written authorization must be obtained from Ryonet® before any part will be accepted. In order to return such defective part, contact Ryonet® to return such part freight prepaid. Replacement parts are sent out freight collect. Parts sent out prior to receiving defective part will be sent C.O.D., cost plus freight. Upon return of defective part, if it is deemed that the part was not damaged by customer but failed, the cost of the replacement part will be refunded.

NO REPRESENTATIONS OR IMPLIED WARRANTIES: WHERE PERMITTED BY LAW, RYONET® NOR ANY RYONET® AFFILIATE MAKES ANY GUARANTIES, WARRANTIES, CONDITIONS, REPRESENTATIONS, EXPRESS OR IMPLIED PROMISES, ORAL OR WRITTEN, AS TO THE NONOCCURENCE OF ANY DEFECT, THE QUALITY, OR PERFORMANCE OF RILEY HOPKINS™ PRESSES OTHER THAN THOSE SET FORTH HEREIN. FURTHER, RYONET® NOR ITS AFFILIATES DO NOT MAKE ANY IMPLIED WARRANTIES OR CONDITIONS OF MERCHANTABILITY OR FITNESS OTHERWISE PROVIDED BY THE UNIFORM COMMERCIAL CODE OR REQUIRED BY LAW TO THE FULLEST EXTENT PROVIDED BY LAW EXCEPT AS SET FORTH HEREIN. LIMITATION OF LIABILITY: The remedies set forth in this warranty are the purchaser's exclusive remedies in connection with the performance of, or any breach of any guarantee, condition, or warranty with respect to any new Riley Hopkins™ presses. In the event the above warranty fails to correct purchaser's performance problems caused by defects in workmanship and/or materials, purchaser's exclusive remedy shall be limited to payment for actual damages in an amount not to exceed the cost of the press. IN NO EVENT SHALL RYONET OR ANY AFFILIATE OF RYONET® BE LIABLE FOR INCIDENTAL OR CONSEQUENTIAL DAMAGES FOR INJURIES TO THE FULLEST EXTENT PROVIDED BY LAW, INCLUDING BUT NOT LIMITED TO, LOSS OF PROFITS, LOSS OF MERCHANDISE, SUBSTITUTION, OR OTHER COMMERCIAL LOSS, FOR DAMAGE SUFFERED BY PURCHASER ARISING FROM A RILEY HOPKINS™ PRESS, UNLESS SUCH DAMAGES OR INJURIES ARE CAUSED BY THE GROSS NEGLIGENCE OR INTENTIONAL ACTS OF RYONET®. RYONET® FURTHER DISCLAIMS ALL LIABILITY FOR BODILY INJURIES TO THE FULLEST EXTENT PROVIDED BY LAW. NO SELLER'S WARRANTY: No person or entity, other than Ryonet®, who sells the Riley Hopkins™ press has the authority to make any guarantee, representation, promise, or warranty with respect to any Riley Hopkins™ press unless the person or entity delivers to the purchaser a separate written guaranty certificate specifically guaranteeing the press, in which case Ryonet® shall have no obligation to the purchaser. Neither original Riley Hopkins™ manufacturers, distributors, or dealers, nor any other person or entity, has any authority to make any representation or promise on behalf of Ryonet® or to modify the terms or limitations of this warranty in any way.

ADDITIONAL INFORMATION

For additional information concerning the Riley Hopkins™/Ryonet® Press Warranty, contact support@ryonet.com or 1-800-314-6390

Riley Hopkins[®]