

Riley Hopkins

PRODUCT CATALOG | 2022



 INTERACTIVE
HYPERLINKS INSIDE

Riley Hopkins 150 SERIES

Side hustles are becoming more and more common as folks realize the traditional 9 to 5 doesn't cut it any longer. We all yearn for new ways to pursue our passions, buy the things we need or want, and lower our financial worries. It doesn't take long once you calculate the cost of your living expenses to realize that there is barely anything leftover at the end of the month, which is not cool, at all.

The traditional work schedule is not enough to live the life you dream about. Are you ready to invest in yourself?

Our presses are all manufactured, right here in Vancouver, WA, by our in-house team of master press builders.

150 - 1X1

FEATURES:

- 1 Color 1 Station Printing Press
- Platen Height: 4.5" (31 cm)
- Platen Size: 16"x16 with neck
- Max Frame Size: 23"x31"
- Base Configuration: Table Top
- Footprint (with 16x16 Platen): 20"x40"
- Weight: 28 lbs



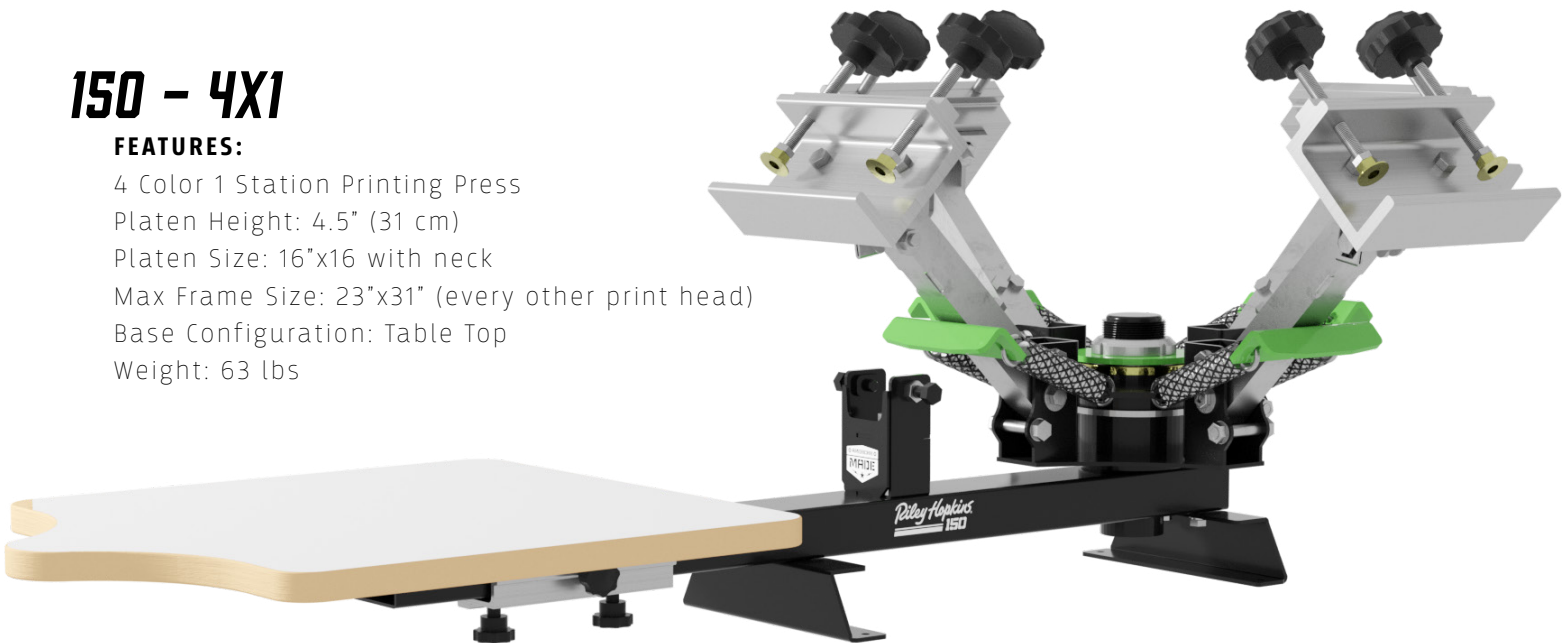
PRTB-RH150-1X1



150 - 4X1

FEATURES:

- 4 Color 1 Station Printing Press
- Platen Height: 4.5" (31 cm)
- Platen Size: 16"x16 with neck
- Max Frame Size: 23"x31" (every other print head)
- Base Configuration: Table Top
- Weight: 63 lbs



Riley Hopkins 250 SERIES

The 250 builds on the success of its predecessor, the Riley Jr., with major improvements. The most notable feature is the addition of tilted micros. The tilted micros ensure screens stay in place during production, minimizing the worries of accidentally bumping the screen out of registration mid-production. The press is perfect for printers looking to run their production in a garage, spare bedroom, or basement.

Breakout from the pack with the Riley Hopkins 250 Press!



250 SERIES FEATURES:

9/16 Tilt and Off-Contact Control (9/16" ratcheting wrench recommended)

Indexing/Rotating Platen w/ Roller Wheel Platen Stop

Adjustable and Interchangeable Riley Hopkins Platens

Heavy Duty Center Chassis Construction

Titled Micros for Better Registration

Standard XY Micro Registration

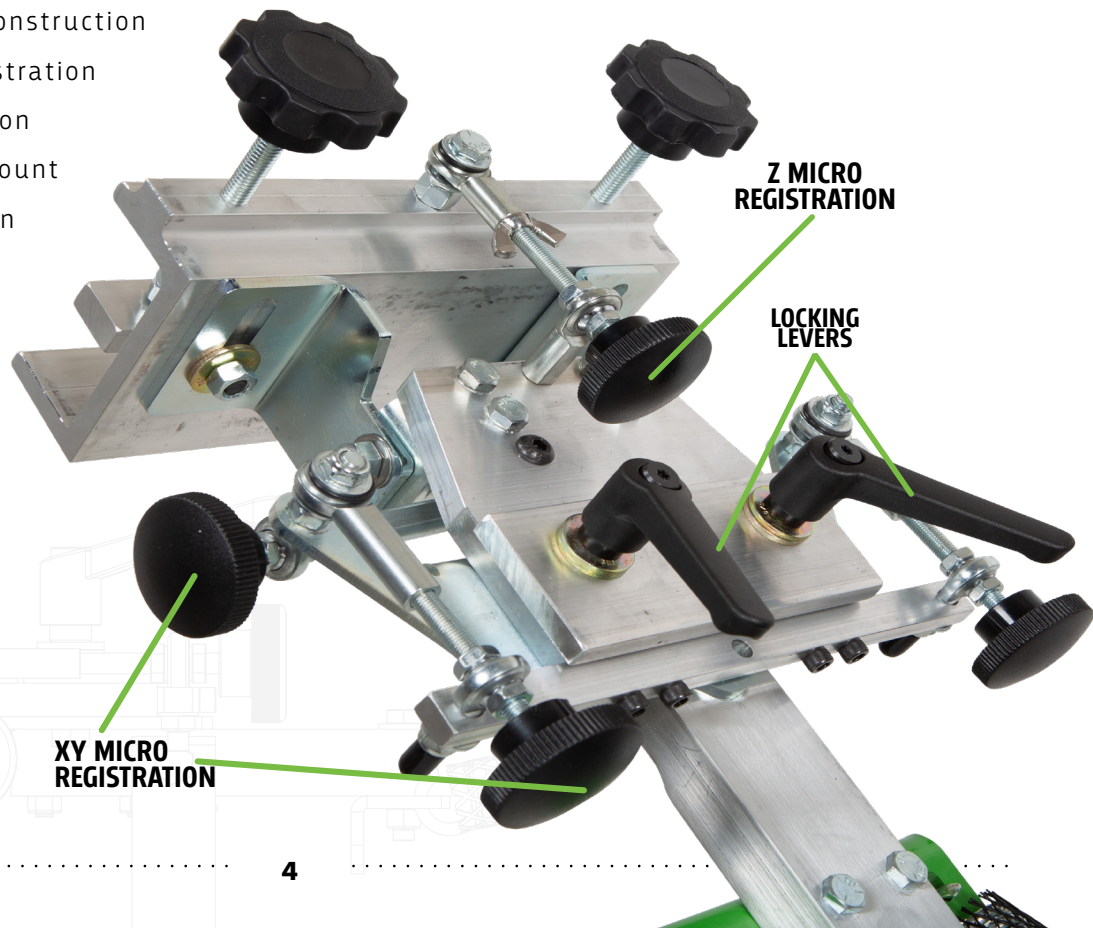
Base Configuration: Bench Mount

Durable US Steel Construction

Riley 300 Locking Levers

Powder Coated Finish

Heavy Duty Springs





PRTB-RH250-4TX1

250 - 4X1

TECH SPECS:

Diameter: 59"
Platen Height: 5.5" (31cm)
Platen Size: 16"x16" w/ Neck
Max Frame Size: 23"x31"
Color/Stations: 4 color /1 station
Shipping Weight: 87 lbs
Ships in two boxes

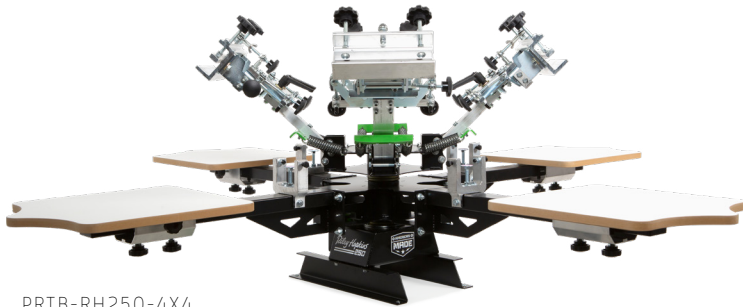


PRTB-RH250-4X2

250 - 4X2

TECH SPECS:

Diameter: 84"
Platen Height: 12"
Platen Size: 16"x16" w/ Neck
Max Frame Size: 23"x31"
Color/ Stations: 4 color / 2 station
Shipping Weight: 215 lbs
Ships Freight

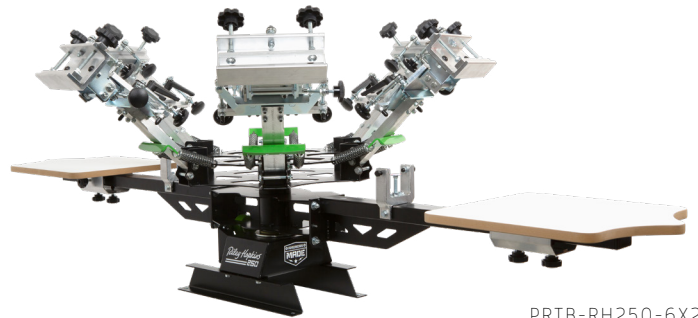


PRTB-RH250-4X4

250 - 4X4

TECH SPECS:

Diameter: 84"
Platen Height: 12"
Platen Size: 16"x16" w/ Neck
Max Frame Size: 23"x31"
Color/ Stations: 4 color / 4 station
Shipping Weight: 240 lbs
Ships Freight



PRTB-RH250-6X2

250 - 6X2

TECH SPECS:

Diameter: 90"
Platen Height: 12"
Platen Size: 16"x16" w/ Neck
Max Frame Size: 23"x31"
Color/ Stations: 6 color / 2 station
Shipping Weight: 287 lbs
Ships Freight

250 - 6X4

TECH SPECS:

Diameter: 90"
Platen Height: 12"
Platen Size: 16"x16" w/ Neck
Max Frame Size: 23"x31"
Color/ Stations: 6 color / 4 station
Shipping Weight: 325 lbs
Ships Freight



PRTB-RH250-6X4

Riley Hopkins 300 SERIES

The Riley 300 is a screen printer's press that was crafted with years of innovation and customer feedback in mind. Speed, Precision, and Consistency are the keys for screen printing today, and the Riley 300 delivers on all counts. If Speed, Precision, and Consistency are important for your customers and production style, it's time to get behind the wheel of the Riley 300.



PRMA-RH300-44

300 - 4X4

FEATURES:

Riley Hopkins® 300 4-color, 4-station Press
Sturdy, heavy duty, lightweight construction.
XYZ: Micro registration
2-Point Roller Gate
Diameter: 88"
Base Size: 57"
Platen Height: 35.5" - 38.5"
Platen Size: 16"x 18"
Max Platen Size: 24" x 32"
Max Frame Size: 25" x 36"
Max Frame Size(every other): 42" x 48"



PRMA-RH300-64

300 - 6X4

FEATURES:

Riley Hopkins® 300 6-color, 4-station Press
Sturdy, heavy duty, lightweight construction.
XYZ: Micro registration
2-Point Roller Gate
Diameter: 93"
Base Size: 57"
Platen Height: 35.5" - 38.5"
Platen Size: 16"x 18"
Max Platen Size: 24" x 32"
Max Frame Size: 25" x 36"
Max Frame Size(every other): 42" x 48"



PRMA-RH300-66

300 - 6X6

FEATURES:

Riley Hopkins® 300 6-color, 6-station Press
 Sturdy, heavy duty, lightweight construction.
 XYZ: Micro registration
 2-Point Roller Gate
 Diameter: 93"
 Base Size: 57"
 Platen Height: 35.5" - 38.5"
 Platen Size: 16"x 18"
 Max Platen Size: 24" x 32"
 Max Frame Size: 25" x 36"
 Max Frame Size(every other): 42" x 48"



PRMA-RH300-86

300 - 8X6

FEATURES:

Riley Hopkins® 300 8-color, 6-station Press
 Sturdy, heavy duty, lightweight construction.
 XYZ: Micro registration
 2-Point Roller Gate
 Diameter: 102"
 Base Size: 57"
 Platen Height: 35.5" - 38.5"
 Platen Size: 16"x 18"
 Max Platen Size: 24" x 32"
 Max Frame Size: 25" x 36"
 Max Frame Size(every other): 42" x 48"



FDIF-RC-18X18

16X16 – FLASH DRYER

TECH SPECS:

- Watts: 1600
- Volts: 120v
- Amps: 13.2
- Heater Size: 16"x20"
- Element Size: 16"x16"
- Plug Type: NEMA 5-15P
- Shipping Weight: 35 lbs



FDIF-RC-18X18

18X18 – FLASH DRYER

TECH SPECS:

- Watts: 2223
- Volts: 120
- Amps: 19.1
- Heater Size: 18"x22"
- Element Size: 18"x18"
- Plug Type: Nema 5-20P
- Shipping Weight: 38 lbs

Riley Hopkins

FLASH DRYER

With more than 40 years of developing high-quality, affordable screen printing equipment, the Riley Hopkins brand has jumpstarted thousands of printers' careers. Heat up production with the RileyFlash. The RileyFlash is born to perform thanks to its infrared heating element. The tight wire construction reduces the possibility of having hot and cold spots, ensuring an even, consistent flash every time. Coming in three sizes as well as a forced air option, the RileyFlash offers printers options to select a flash dryer that'll fit their needs. Invest in efficient, stable equipment. Heat up production today with the RileyFlash Flash Dryer.

FEATURES:

- Rotating, adjustable stand
- Locking casters
- 360° rotation
- Powder-coated to prevent rust
- Sturdy, simple design
- 10-foot power cord
- Easy assembly



FDIF-RC-1824HC



FDIF-RC-AF4000

18X24 - FLASH DRYER

TECH SPECS:

- Watts: 2223
- Volts: 120
- Amps: 19.1
- Heater Size: 18"x22"
- Element Size: 18"x18"
- Plug Type: Nema 5-20P
- Shipping Weight: 38 lbs

18X18 - FORCED AIR DRYER

TECH SPECS:

- Watts: 4000
- Volts: 240
- Amps: 16.6
- Heater Size: 18"x18"
- Element Size 18"x18"
- Plug Type: Nema 6-20P
- Shipping Weight: 75 lbs

Riley Hopkins

CONVEYER DRYER

Increase your SPM (shirts per minute) with the RileyCure Conveyor Dryer. Its infrared heating element is powerful. The tight wire and edge-to-edge construction ensures consistent coverage across the entire print. Features like the three on/off switches, belt speed control, temperature control, and adjustable gates allows printers to customize settings for each job's needs. Plus, printers won't have to worry about the belt falling off the track thanks to the tracking system. With two options in sizes for both the forced air and regular conveyor dryers, the RileyCure provides printers options to discover the right conveyor for their space and needs. Invest in efficient, stable equipment. Gain more traction today with the RileyCure.



CDIF-RCJ21-3500



CDIF-RC21-6500

RILEYCURE TABLETOP

TECH SPECS:

- Length: 48"
- Width: 26"
- Belt Width: 18"
- Number of Elements: 1
- Heater dimensions: 14"x18"
- Chamber Length: 18"
- Chamber Height: 3"
- Entry/Exit Length: Adjustable from 12"-18"
- Capacity: 80 shirts per hour
- Wattage: 1440
- Voltage: 120
- Amps: 12.5
- Plug Type: Nema 5-15P (standard household plug)

RILEYCURE 245

TECH SPECS:

- Length: 60"
- Width: 36"
- Belt Width: 24"
- Number of Elements: 1
- Heater dimensions: 24"x24"
- Chamber Length: 30"
- Chamber Height: 5"
- Entry/Exit Length: 15", 15"
- Capacity: 150 shirts per hour
- Wattage: 3449
- Voltage: 240
- Amps: 14.4
- Plug Type: NEMA 6- 20P



FEATURES:
 On/off switches for the belt and the dryer
 Temperature control
 Belt speed control*
 Vented exhaust
 Adjustable gates
 Belt tracking guide
 Two locking casters, two rolling casters
 Dry-erase panel to write down specific settings*
 10-foot power cord
 3-year warranty on heating element
 1-year warranty on rest of dryer

*Excludes Tabletop

RILEYCURE 248

TECH SPECS:

- Length: 96"
- Width: 36"
- Belt Width: 24"
- Number of Elements: 2
- Heater dimensions: 18"x24"
- Chamber Length: 48"
- Chamber Height: 5"
- Entry/Exit Length: 24", 24"
- Capacity: 300 shirts per hour
- Wattage: 6500
- Voltage: 240
- Amps: 27
- Plug Type: NEMA L6-30P



CDIF-RCA-244-2-2

RILEYCURE FORCED AIR CONVEYOR DRYER

TECH SPECS:

- Length: 96" (120" option available)
- Width: 24"
- Belt Width: 24"
- Number of Elements: 3
- Heater dimensions: (3) 12"x24"
- Chamber Length: 48"
- Chamber Height: 5"
- Entry/Exit Length: 24", 24"
- Capacity: Plastisol-350 shirts per hour, Water-Based-200 SPH, DTG-60 SPH



8': CDIF-RCA-244-2-2
 10': CDIF-RCA-364-4-2

- Wattage: 7250
- Voltage: 240
- Amps: 30A in 1p, 17.5A in 3p
- Plug Type: Hard Wired



Riley **PRESS CART**

Raise your level of performance with the Riley Hopkins® Press Cart. This space-saving, multipurpose press cart was designed to give you the perfect printing height for mounting your table-top Riley Hopkins® presses. The cart is equipped with leveling feet for a sturdy surface. Printers can upgrade to pivot caster wheels for extra mobility, or replace the leveling feet with standard caster wheels.

With an all-black design, this cart will belong in any space. Stylish and sleek, this sturdy press cart also functions as a moveable surface and screen rack to store 10 extra screens, supplies, and ink. Slide it to wherever you need it most while printing, and tuck it away after you're done to save valuable space.



RILEY HOPKINS SINGLE STATION PRESS CART

FEATURES:

- Works for single station presses only like Riley Hopkins 150, 250, JR., and all Silver presses
- Holds up to 300 lbs of inks and print supplies
- Made from laser-cut steel
- Powder-coated black
- The top is white laminate MDF
- Leveling feet
- Option to upgrade to caster assembly or wheels

PRODUCT SPECS:

Dimension assembled: 28" W x 36" D x 32" H
 Fits 10: 20" x 24" or 12: 23" x 31" OD frames
 Assembly required (assembly instructions, hardware, and tools are included)



RILEY HOPKINS MULTI-STATION PRESS CART

FEATURES:

- Works with Riley Hopkins 250 and JR. multi-station presses
- Holds up to 250 lbs of press, ink, shirts, or supplies
- Made from US Steel
- Powder-coated black
- The top is white laminate MDF
- Adjustable leveling feet
- Option to upgrade to heavy-duty locking casters

PRODUCT SPECS:

Dimension assembled: 28" W x 36" D x 26" H
 Fits Eight 20" x 24", 21" x 24", or 23" x 31" frames when situated horizontally.
 Assembly required (assembly instructions, hardware, and tools are included)

