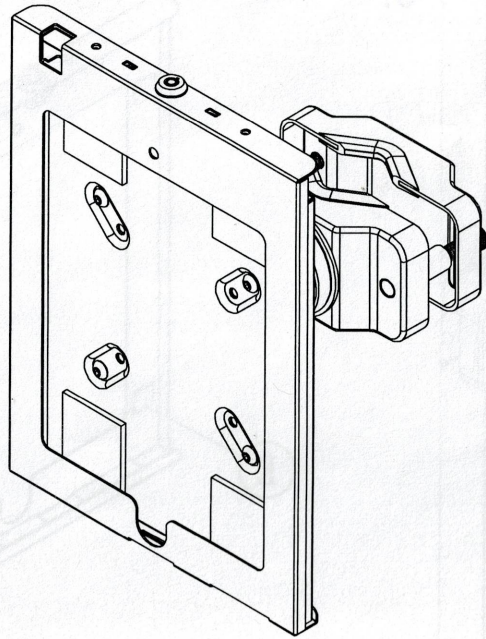
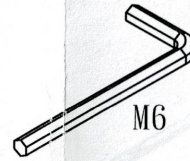


Max Load: 3 Kgs



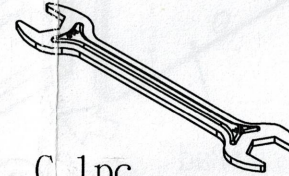
Part List:



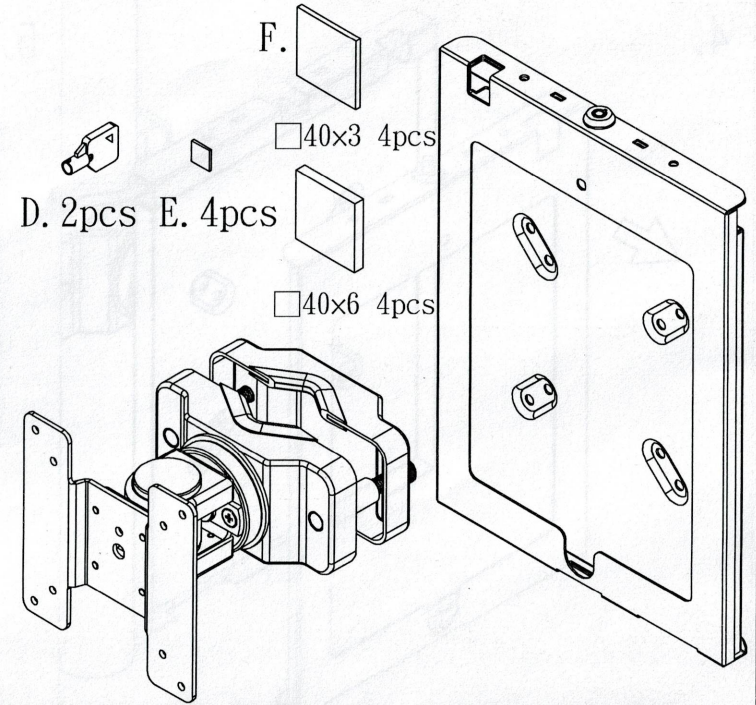
A. 1pc



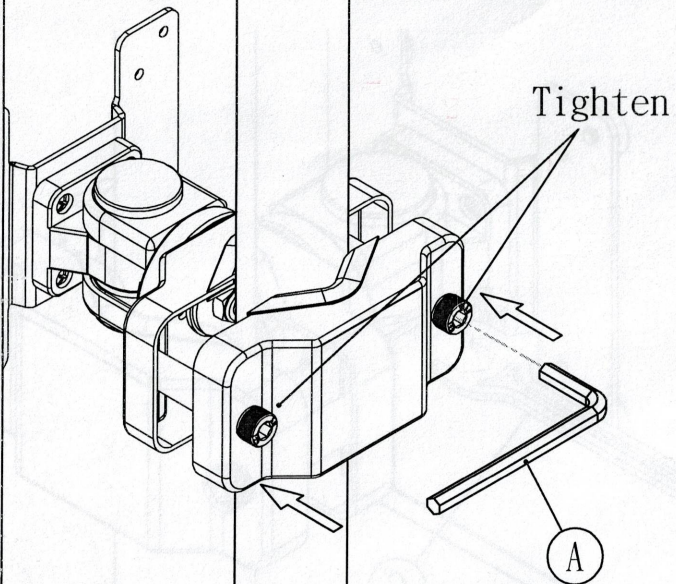
B. 4pcs



C. 1pc



1.

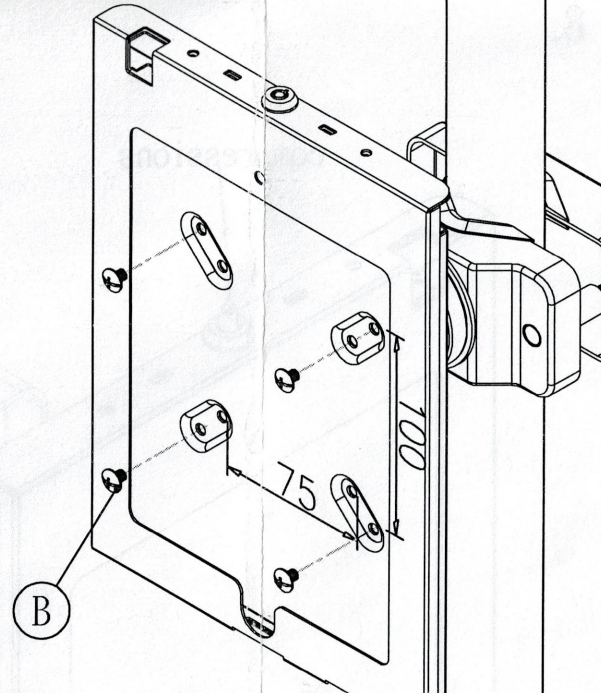


Pole(ϕ 25~40)

Tighten

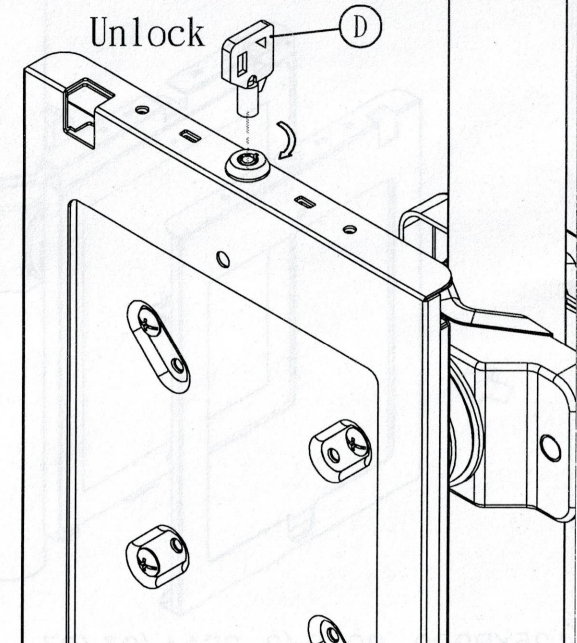
A

2.



B

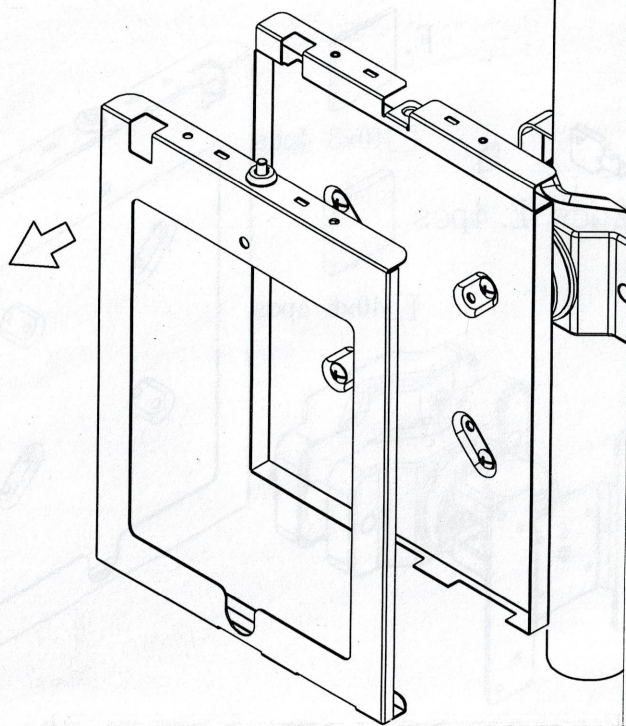
3.



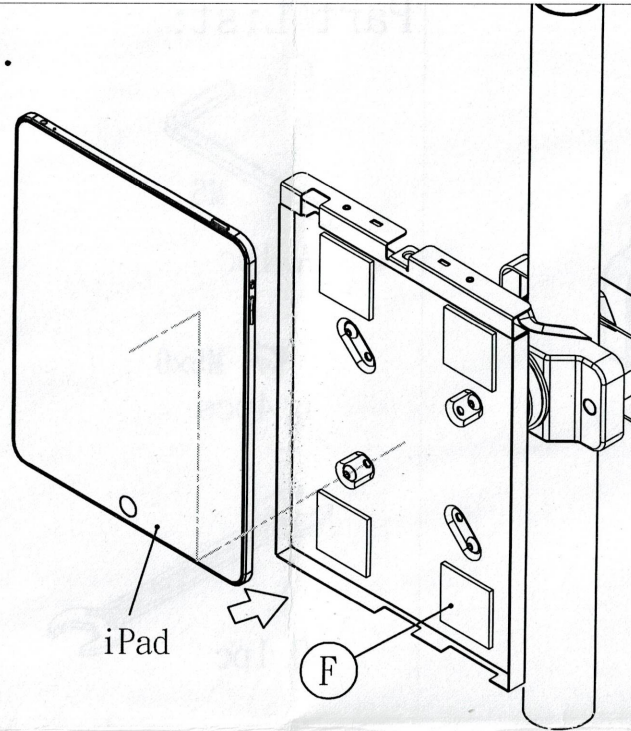
Unlock

D

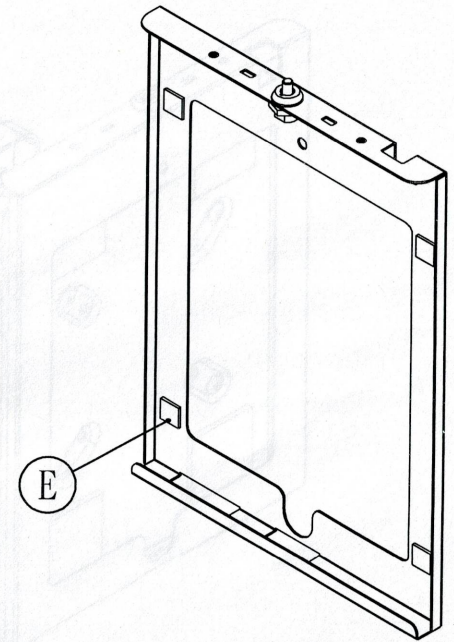
4.



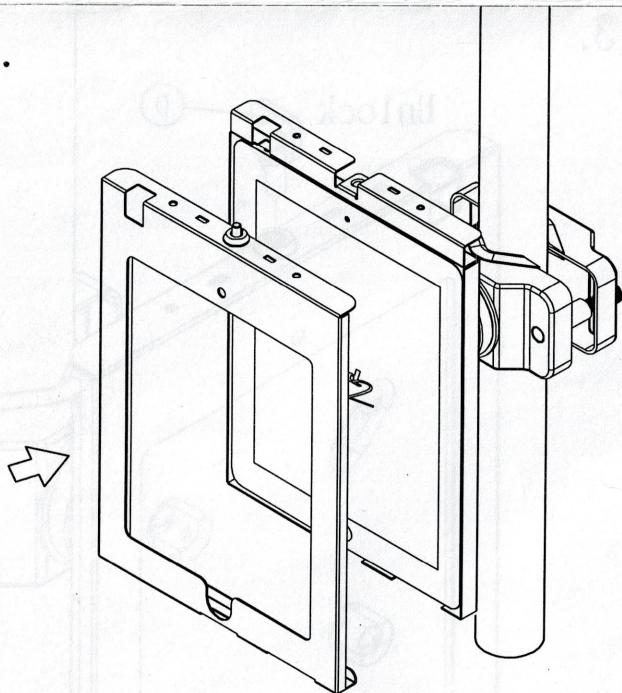
5.



6.



7.



8.

