



# ZFC | ZFV

## Switch - disconnecter for DC current 2P

Size 00  
A 16|25|32|40|55  
600 - 1000 - 1500 Vdc



IP67

CODE 2P	Model
16A	ZFC16SMAH1NA4O
25A	ZFC25SMAH1NA4O
32A	ZFV32SMAH1A4O
40A	ZFV40SMAH1A4O
55A	ZFV55SMAH1A4O

CODE 2P	Model
16A	ZFC16VZVH4A4O
25A	ZFC25VZVH4A4O
32A	ZFV32VZVH4A4O
40A	ZFV40VZVH4A4O
55A	ZFV55VZVH4A4O

CODE 2P	Model
16A	ZFC16PFLH4A4O
25A	-
32A	ZFV32PFLH4A4O
40A	-
55A	ZFV55PFLH4A4O



### Technical information



According to IEC 60947-3  
DC-PV1  
UL508i

IEC 60947-3		ZFC16	ZFC25	ZFV32	ZFV40	ZFV55	
Rated operational current	le 2 Poles in series	1000Vdc A	9 DC21A	11 DC21A	13 DC21B	29 DC21B	36 DC21B
	le 4 Poles in series	1000Vdc A	16 DC21A	25 DC21A	32 DC21B	40 DC21B	55 DC21B
Rated operational current	le 2 Poles in series	1500Vdc A	16 DC21A	20 DC21A	32 DC21B	40 DC21B	55 DC21B
	le 4 Poles in series	1500Vdc A	16 DCPV1	11,5 DCPV1	13 DCPV1	29 DCPV1	36 DCPV1
Rated operational current	le 2 Poles in series	1000Vdc A	3 DCPV1	5 DCPV1	6 DCPV1	7,5 DCPV1	10 DCPV1
	le 4 Poles in series	1000Vdc A	16 DCPV1	25 DCPV1	32 DCPV1	40 DCPV1	55 DCPV1
Rated operational current	le 2 Poles in series	1500Vdc A	16 DCPV1	25 DCPV1	32 DCPV1	40 DCPV1	55 DCPV1
	le 4 Poles in series	1500Vdc A	16 DCPV1	25 DCPV1	32 DCPV1	40 DCPV1	55 DCPV1
Rated conditional short-circuit current		kAeff	5	5	5	10	10
Max. fuse size		gL (gG)	40	63	80	125	160
Maximum cable cross sections (included jumper)							
Solid or stranded		mm <sup>2</sup>	1,5 - 10	1,5 - 10	4 - 16	2,5 - 25	2,5 - 25
Flexible		mm <sup>2</sup>	1,5 - 6	1,5 - 6	4 - 10	2,5 - 16	2,5 - 16
Flexible (+ multicore cable end)		mm <sup>2</sup>	1,5 - 6	1,5 - 6	4 - 10	1,5 - 16	1,5 - 16
Size of terminal screw			M3,5 Pz1	M3,5 Pz1	M4 Pz2	M5Pz2	M5Pz2
Tightening torque		Nxm	1,4	1,4	1,7 - 1,8	2,5 - 2,8	2,5 - 2,8

UL508i LISTED E362647		ZFC16	ZFC25	ZFV32	ZFV40	ZFV55	
Ampere-Rating "General use"	2 Poles in series	600Vdc A	16	25	32	40	55
	4 Poles in series	1000Vdc A	-	-	-	16	20
Ampere-Rating "General use"	2 Poles in series	600Vdc A	16	25	32	40	55
	4 Poles in series	1000Vdc A	-	-	-	40	55
Fuse size (RK5) Industrial Control Switch	5 kA / 600 V	A	40	60	80	-	-
Fuse size (RK5) Industrial Control Switch	5 kA / 1000 V	A	-	-	-	160	160
Maximum cable cross sections (included jumper)							
Solid or stranded		AWG	16 - 10	16 - 10	12 - 10	16 - 10	16 - 10
Flexible		AWG	20 - 6	20 - 6	12 - 6	14 - 4	14 - 4
Flexible (+ multicore cable end)		AWG	20 - 6	20 - 6	12 - 6	-	-
Size of terminal screw			M3,5 Pz1	M3,5 Pz1	M4 Pz2	M5Pz2	M5Pz2
Tightening torque		Nxm	1,7 - 1,8	1,7 - 1,8	1,7 - 1,8	2,5 - 2,8	2,5 - 2,8

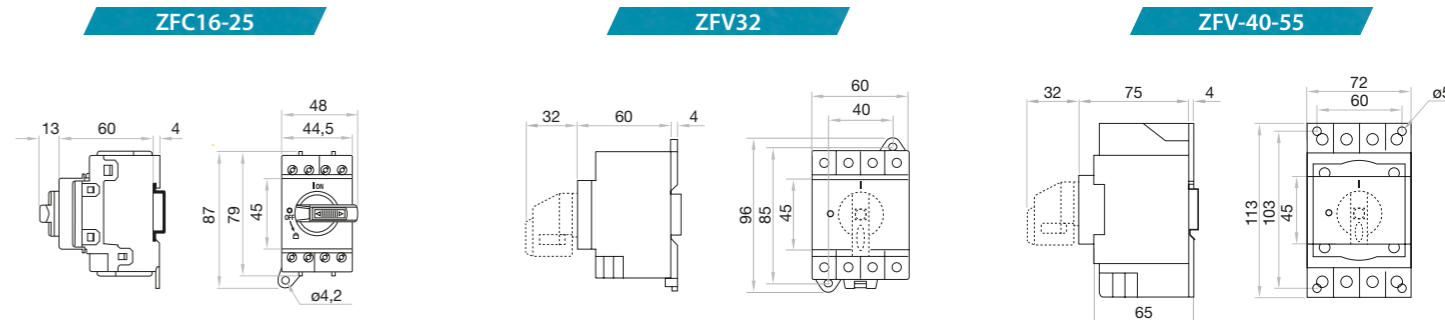
### Accessories



» Insulated bridging links included

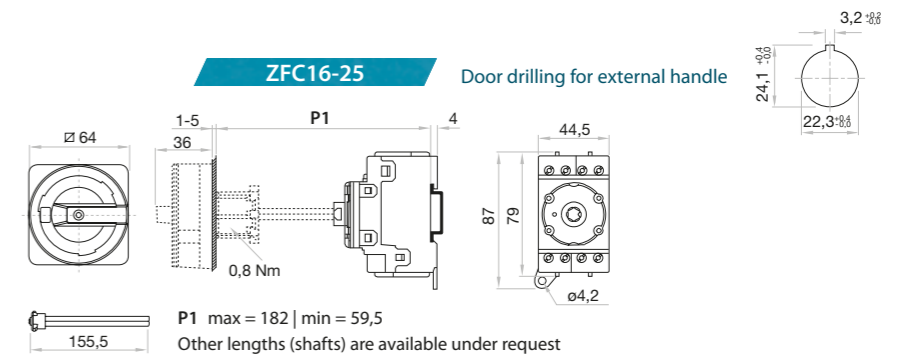
CODE ZFC-B1 16-25A  
ZFV-B1 32A  
ZFV-B2 40-55A

### Dimensions (mm)



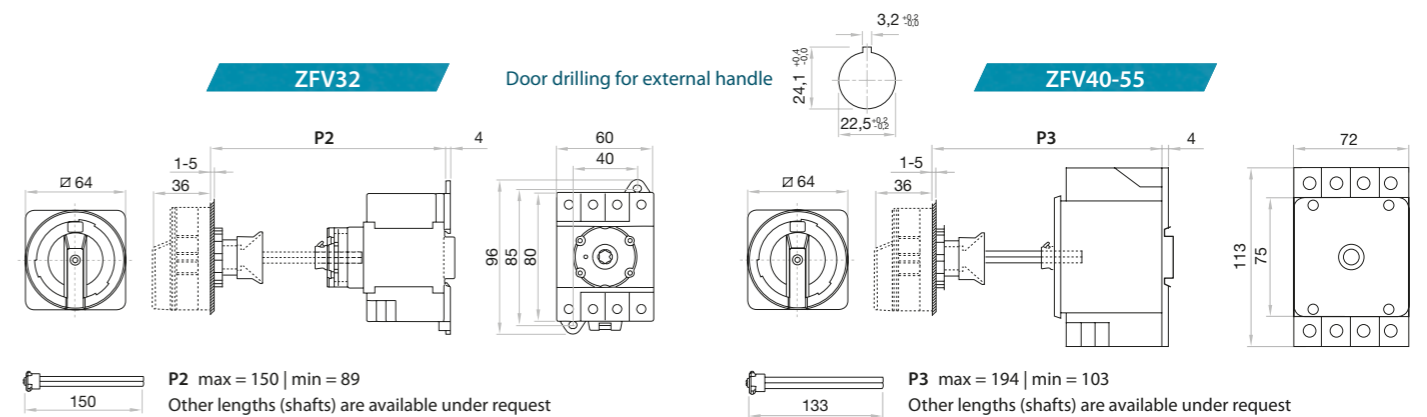
### ZFC16-25

Door drilling for external handle



### ZFV32

Door drilling for external handle



### ZFV40-55

### ZFV55

