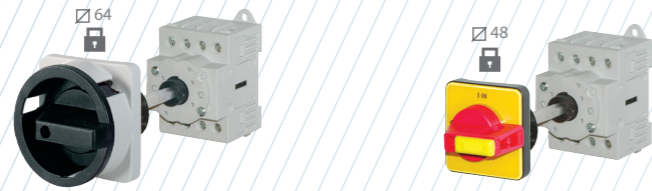


ZBK Switch base mounting $\varnothing 22$ door clutch padlockable handle IP66

3P - 3P+N

Size 0

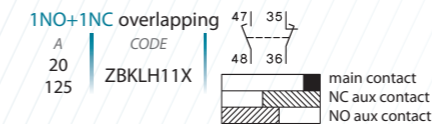
A 20|25|40|63|80|125



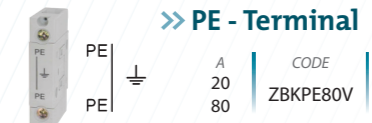
		CODE-20A	CODE-25A	CODE-40A	CODE-63A	CODE-80A	CODE-125A
64	3P	ZBK20VZVHN4A3	ZBK25VZVHN4A3	ZBK40VZVHN4A3	ZBK63VZVHN4A3	ZBK80VZVHN4A3	ZBK125VZVHN4A3
	3P+N	ZBK20VZVHN4A4	ZBK25VZVHN4A4	ZBK40VZVHN4A4	ZBK63VZVHN4A4	ZBK80VZVHN4A4	ZBK125VZVHN4A4
48	3P	ZBK20VZVH4A3	ZBK25VZVH4A3	ZBK40VZVH4A3	ZBK63VZVH4A3	ZBK80VZVH4A3	ZBK125VZVH4A3
	3P+N	ZBK20VZVH4A4	ZBK25VZVH4A4	ZBK40VZVH4A4	ZBK63VZVH4A4	ZBK80VZVH4A4	ZBK125VZVH4A4
64	3P	-	ZBK25VZVHN1A3	ZBK40VZVHN1A3	ZBK63VZVHN1A3	ZBK80VZVHN1A3	ZBK125VZVHN1A3
	3P+N	-	ZBK25VZVHN1A4	ZBK40VZVHN1A4	ZBK63VZVHN1A4	ZBK80VZVHN1A4	ZBK125VZVHN1A4
48	3P	-	ZBK25VZVH1A3	ZBK40VZVH1A3	ZBK63VZVH1A3	ZBK80VZVH1A3	ZBK125VZVH1A3
	3P+N	-	ZBK25VZVH1A4	ZBK40VZVH1A4	ZBK63VZVH1A4	ZBK80VZVH1A4	ZBK125VZVH1A4

Accessories

Auxiliary contacts



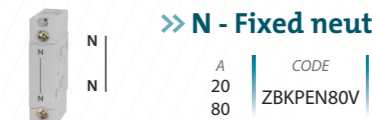
PE - Terminal



N - Terminal



N - Fixed neutral



Shaft extensions



Technical information



According to VDE 0660, IEC 60947-3, IEC 60947-5-1

			20	25	40	63	80	125
Rated thermal current	I _{th}	A	20	25	40	63	80	125
Rated thermal current enclosed	I _{the}	A	20	25	40	63	80	110
Rated insulation voltage	U _i	V	690	690	690	690	690	1000
Rated impulse withstand voltage	U _{imp}	kV	6	6	6	6	6	8
AC rated operational current	I _e	A	20	25	40	63	80	125
Making capacity	I _{eff}	kA	160	190	300	370	440	850
Breaking capacity		A	160	180	250	330	380	680
		kV	3x380-440V	3x380-440V	3x380-440V	3x380-440V	3x380-440V	3x380-440V
		kV	3x660-690V	3x660-690V	3x660-690V	3x660-690V	3x660-690V	3x660-690V
Direct switching motors	AC3	A	12	16	30	37	37	72
	AC3	kW	3	4	7,5	11	11	22
		kW	5,5	7,5	15	18,5	18,5	37
		kW	5,5	7,5	15	18,5	18,5	30
Main & safety switch	AC23	A	16	20	32	45	45	85
	AC23A	kW	4	5,5	9	15	15	30
	AC23B	kW	7,5	10	16	22	22	45
		kW	5,5	7,5	15	18,5	18,5	37
Rated conditional short-circuit current	kA _{eff}		10	10	10	10	10	10
Max. fuse size	gL(gG)	A	25	35	50	63	80	125
Rated short-time withstand current (1sec.)	I _{cw}	A	250	300	500	600	850	1500
Mechanical life	x10 ³		200	200	200	100	100	100
Connecting capacity	Solid or stranded cable	mm ²	0,5-10		1-25 ⁽¹⁾		4-50	
		AWG	20-8 (10)		16-4 (10)		10-0 (10)	
Flexible cable		mm ²	0,5-6		4-16 ⁽¹⁾		10-35	
		AWG	20-10		16-6		8-2	
Size of terminal screw			M3,5		M5		M6	
Tightening torque	Nm		0,8-1,7		2-4		3,5-4,5	

According to UL & cUL FILE NO. E123623

			20	25	40	63	80	125
Rated voltage	V		600	600	600	600	600	600
Ampere-Rating "General use"	A		20	25	40	63	80	125
DOL-Rating 3-phase	110-220V	HP	1	1,5	2	3	5	15
	220-240V	HP	3	5	5	10	10	30
	440-480V	HP	7,5	10	10	20	20	60
	550-600V	HP	10	10	15	25	25	60
	200-208V	HP	1	1	1	2	2	7,5
DOL-Rating 1-phase	200-208V	HP	1	2	2	3	3	10
	220-240V	HP	2	2	3	5	5	15
		HP	40	50	70	90	110	125
Fuse size (RK5)	Manual Motor Controller	A	40	50	70	90	110	125
5kA / 600V	Motor Disconnect	A	40	50	50	70	70	125
Tightening torque		Nm	1,2-2,3	1,2-2,3	1,2-2,3	2,8-4	2,8-4	1,7-4,5
		lb.Inch	11-20	11-20	11-20	24-35	24-35	15-40

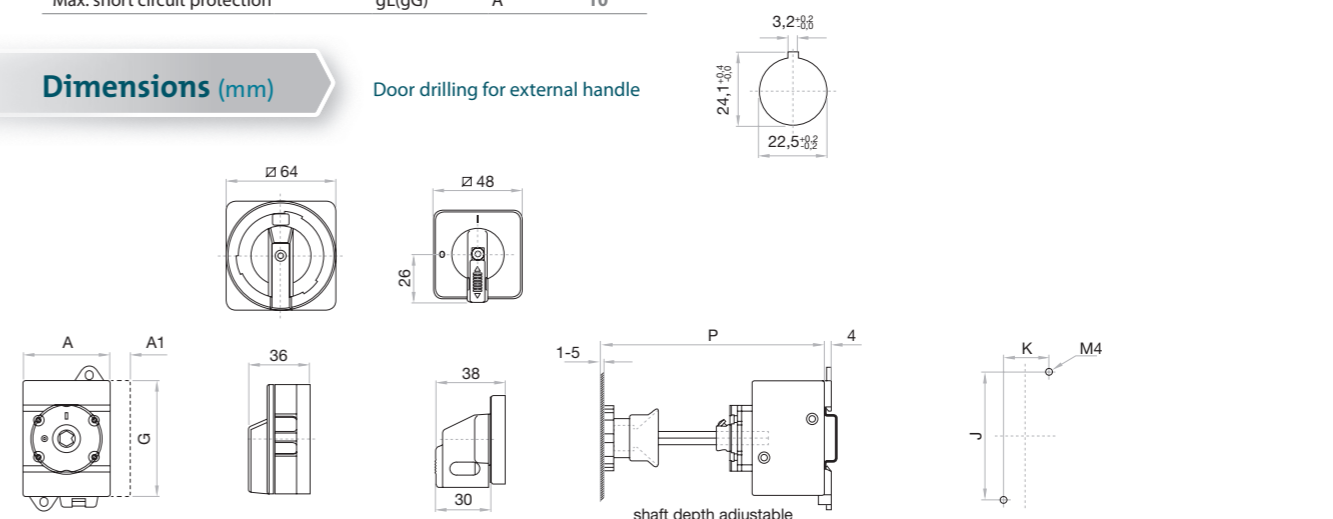
⁽¹⁾ ZBK63 U stranded 16 mm² / flexible 10 mm²

Auxiliary contacts technical information

Rated insulation voltage	U _i	V	690
Rated thermal current	I _{th} - I _{the}	A	10
Switching capacity	AC15	220-240V	A 2,5
	AC15	380-440V	A 1,5
Rated conditional short-circuit current	kA _{eff}		3
Max. short circuit protection	gL(gG)	A	10

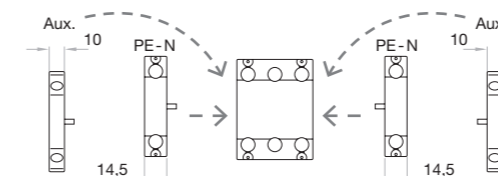
Connecting capacity		
Solid or stranded cable	mm ²	0,75-2,5
	AWG	14-12
Flexible cable (+ multicore cable end)	mm ²	0,75-2,5 (1,5)
	AWG	18-14

Dimensions (mm)



	3P		4P		P	
	A	A	G	J	K	min max
20 - 40 A	48	48	64	70	25	91 190
63 - 80 A	48	62,5	64	70	25	91 190
125 A	78	78	85	90	38	95 190

Auxiliary contacts A1



Other options also available on request:
 - Products with customized shaft dimensions (L max = 400mm)
 - Terminal shrouds

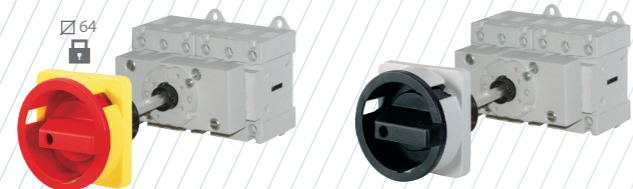
ZBK

Switch base mounting $\varnothing 22$ door clutch padlockable handle IP66

6P - 8P

Size 0

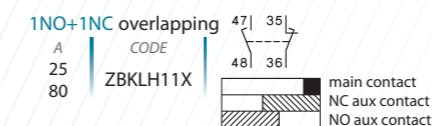
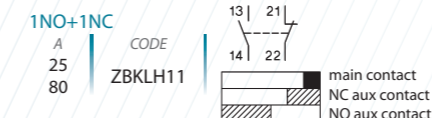
A 25|40|80



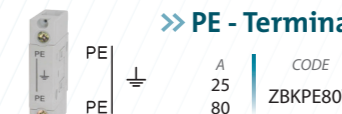
	CODE-25A	CODE-40A	CODE-80A
6P	ZBK25VZVHN4A6	ZBK40VZVHN4A6	ZBK80VZVHN4A6
8P	ZBK25VZVHN4A8	ZBK40VZVHN4A8	ZBK80VZVHN4A8
6P	ZBK25VZVH4A6	ZBK40VZVH4A6	ZBK80VZVH4A6
8P	ZBK25VZVH4A8	ZBK40VZVH4A8	ZBK80VZVH4A8

Accessories

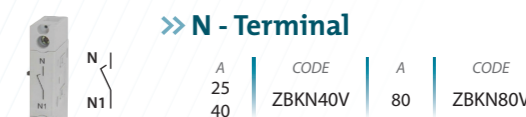
>> Auxiliary contacts



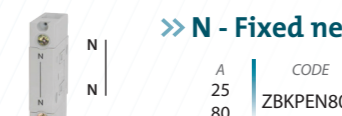
>> PE - Terminal



>> N - Terminal



>> N - Fixed neutral



>> Shaft extensions



Technical information



According to VDE 0660, IEC 60947-3, IEC 60947-5-1



			25	40	80
Rated thermal current	I _{th}	A	25	40	80
Rated thermal current enclosed	I _{the}	A	25	40	80
Rated insulation voltage	U _i	V	690	690	690
Rated impulse withstand voltage	U _{imp}	kV	6	6	6
AC rated operational current	I _e	AC21A A	25	40	80
Making capacity	I _{eff}	3x380-440V A	190	300	440
Breaking capacity		3x220-240V A	180	250	380
		3x380-440V A	180	250	380
		3x660-690V A	110	170	220
Direct switching motors	AC3	3x400V A	16	30	37
	AC3	3x220-240V kW	4	7,5	11
		3x380-440V kW	7,5	15	18,5
		3x660-690V kW	7,5	15	18,5
Main & safety switch	AC23	3x400V A	20	32	45
	AC23A	3x220-240V kW	5,5	9	15
	AC23B	3x380-440V kW	10	16	22
		3x660-690V kW	7,5	15	18,5
Rated conditional short-circuit current		kA _{eff}	10	10	10
Max. fuse size	gL(gG)	A	35	50	80
Rated short-time withstand current (1sec.)	I _{cw}	A	300	500	850
Mechanical life		x10 ³	200	200	100
Connecting capacity					
Solid or stranded cable		mm ²	0,5-10	1-25	
		AWG	20-8 (10)	16-4 (10)	
Flexible cable		mm ²	0,5-6	4-16	
		AWG	20-10	16-6	
Size of terminal screw			M3,5		M5
Tightening torque		Nm	0,8-1,7		2-4

According to UL & cUL FILE NO. E123623

			25	40	80
Rated voltage		V	600	600	600
Ampere-Rating "General use"		A	25	40	80
DOL-Rating 3-phase		HP	1,5	2	5
	110-220V	HP	5	5	10
	220-240V	HP	10	10	20
	440-480V	HP	10	15	25
	550-600V	HP	1	1	2
DOL-Rating 1-phase		HP	2	2	3
	110-120V	HP	2	3	5
	200-208V	HP	2	3	5
	220-240V	HP			
Fuse size (RK5)	Manual Motor Controller	A	50	70	110
5kA / 600V	Motor Disconnect	A	50	50	70
Tightening torque		Nm	1,2-2,3	1,2-2,3	2,8-4
		lb.Inch	11-20	11-20	24-35

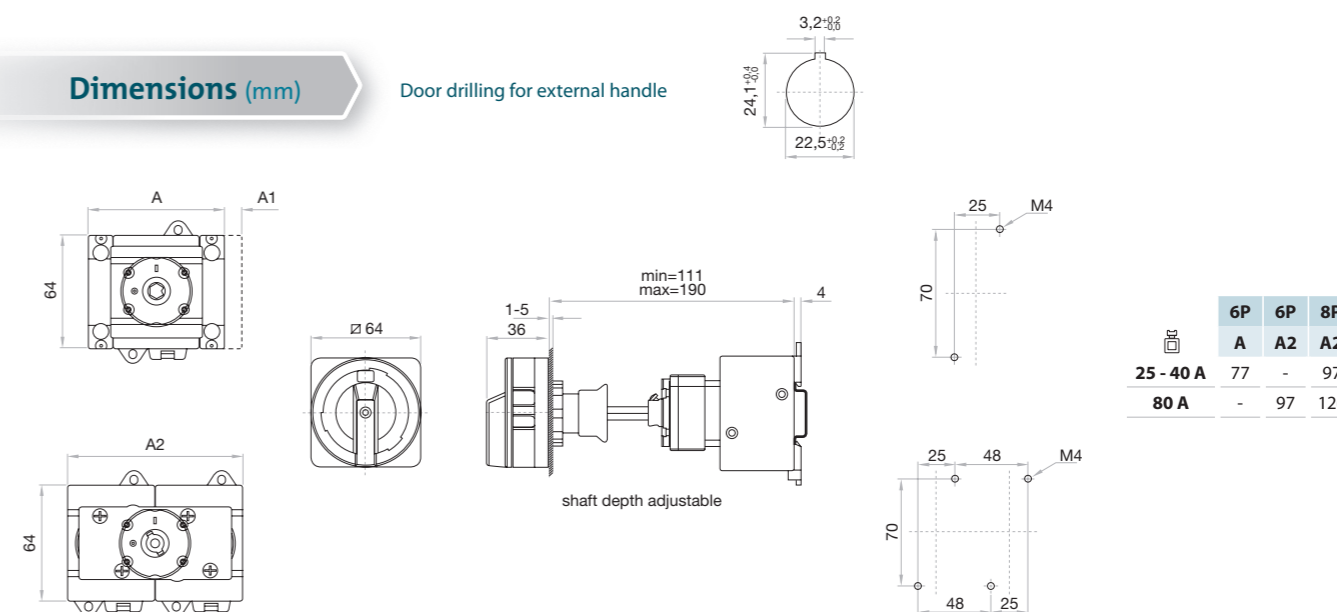
Auxiliary contacts technical information

Rated insulation voltage	U _i	V	690
Rated thermal current	I _{th} - I _{the}	A	10
Switching capacity	AC15	220-240V A	2,5
	AC15	380-440V A	1,5
Rated conditional short-circuit current		kA _{eff}	3
Max. short circuit protection	gL(gG)	A	10

Connecting capacity		
Solid or stranded cable	mm ²	0,75-2,5
	AWG	14-12
Flexible cable (+ multicore cable end)	mm ²	0,75-2,5 (1,5)
	AWG	18-14

Dimensions (mm)

Door drilling for external handle



	6P	6P	8P
	A	A2	A2
25 - 40 A	77	-	97
80 A	-	97	126

>> Other options also available on request:
- Products with customized shaft dimensions (L max = 400mm)
- Terminal shrouds