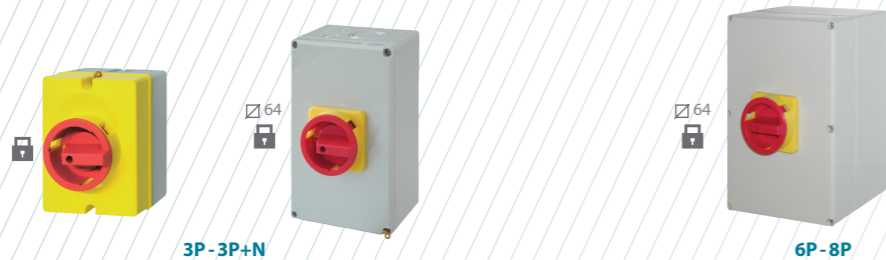


# ZBK Switch plastic enclosure padlockable handle IP66

Size 0  
A 20|25|40|63|80|125

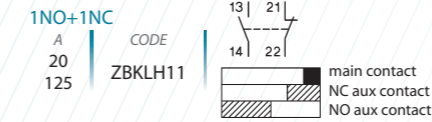


	CODE-20A	CODE-25A	CODE-40A	CODE-63A	CODE-80A	CODE-125A
3P	ZBK20PFHN4A3	ZBK25PFHN4A3	ZBK40PFHN4A3	ZBK63PFLHN4A3	ZBK80PFLHN4A3	ZBK125PFLHN4A3
3P + N	ZBK20PFHN4A4	ZBK25PFHN4A4	ZBK40PFHN4A4	ZBK63PFLHN4A4	ZBK80PFLHN4A4	ZBK125PFLHN4A4
6P	-	ZBK25PFLHN4A6	ZBK40PFLHN4A6	-	ZBK80PFLHN4A6	-
8P	-	ZBK25PFLHN4A8	ZBK40PFLHN4A8	-	ZBK80PFLHN4A8	-

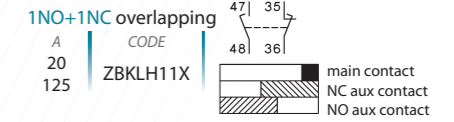
## Accessories



### >> Auxiliary contacts <sup>\*(a1)</sup>



### >> Auxiliary contacts <sup>\*(a1)</sup>

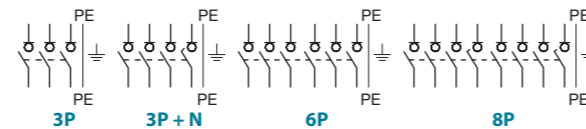


## Auxiliary contacts technical information

Rated insulation voltage	Ui	V	690
Rated thermal current	Ith - Ithe	A	10
Switching capacity	AC15	220-240V	A 2,5
	AC15	380-440V	A 1,5
Rated conditional short-circuit current		kAeff	3
Max. short circuit protection	gL(gG)	A	10

Connecting capacity		
Solid or stranded cable	mm <sup>2</sup>	0,75-2,5
	AWG	14-12
Flexible cable (+ multicore cable end)	mm <sup>2</sup>	0,75-2,5 (1,5)
	AWG	18-14

## Technical information



According to VDE 0660, IEC 60947-3, IEC 60947-5-1

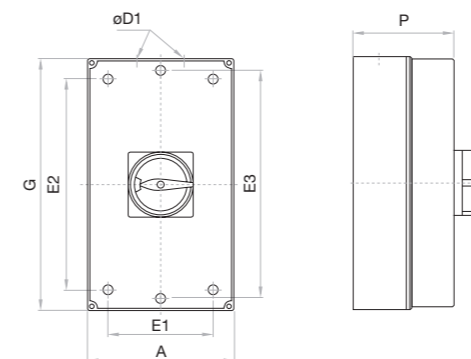
			20	25	40	63	80	125
Rated thermal current	Ith	A	20	25	40	63	80	125
Rated thermal current enclosed	Ithe	A	20	25	40	63	80	110
Rated insulation voltage	Ui	V	690	690	690	690	690	1000
Rated impulse withstand voltage	Uimp	kV	6	6	6	6	6	8
AC rated operational current	Ie	AC21A	A 20	A 25	A 40	A 63	A 80	A 125
Making capacity	Ieff	3x380-440V	A 160	A 190	A 300	A 370	A 440	A 850
		3x220-240V	A 160	A 180	A 250	A 330	A 380	A 680
		3x380-440V	A 160	A 180	A 250	A 330	A 380	A 680
Breaking capacity		3x660-690V	A 80	A 110	A 170	A 190	A 220	A 420
		AC3	3x400V	A 12	A 16	A 30	A 37	A 72
		AC3	3x220-240V	kW 3	kW 4	kW 7,5	kW 11	kW 22
Main & safety switch		AC23A	3x380-440V	kW 5,5	kW 7,5	kW 15	kW 18,5	kW 37
		AC23B	3x380-440V	kW 7,5	kW 10	kW 16	kW 22	kW 45
		AC23	3x400V	A 16	A 20	A 32	A 45	A 85
		AC23A	3x220-240V	kW 4	kW 5,5	kW 9	kW 15	kW 30
Rated conditional short-circuit current		kAeff	10	10	10	10	10	
Max. fuse size	gL(gG)	A	25	35	50	63	80	125
Rated short-time withstand current (1sec.)	Icw	A	250	300	500	600	850	1500
Mechanical life	x10 <sup>3</sup>		200	200	200	100	100	100
<b>Connecting capacity</b>								
Solid or stranded cable	mm <sup>2</sup>		0,5-10		1-25 <sup>*(1)</sup>		4-50	
	AWG		20-8 (10)		16-4 (10)		10-0 (10)	
Flexible cable	mm <sup>2</sup>		0,5-6		4-16 <sup>*(1)</sup>		10-35	
	AWG		20-10		16-6		8-2	
Size of terminal screw			M3,5		M5		M6	
Tightening torque	Nm		0,8-1,7		2-4		3,5-4,5	

According to UL & cUL FILE NO. E123623

			20	25	40	63	80	125
Rated voltage	V		600	600	600	600	600	600
Ampere-Rating "General use"	A		20	25	40	63	80	125
DOL-Rating 3-phase	HP	110-220V	1	1,5	2	3	5	15
		220-240V	3	5	5	10	10	30
		440-480V	7,5	10	10	20	20	60
		550-600V	10	10	15	25	25	60
		110-120V	1	1	1	2	2	7,5
DOL-Rating 1-phase	HP	200-208V	1	2	2	3	3	10
		220-240V	2	2	3	5	5	15
		5kA / 600V	A 40	A 50	A 70	A 90	A 110	A 125
Tightening torque	Nm		1,2-2,3	1,2-2,3	1,2-2,3	2,8-4	2,8-4	1,7-4,5
	lb.Inch		11-20	11-20	11-20	24-35	24-35	15-40

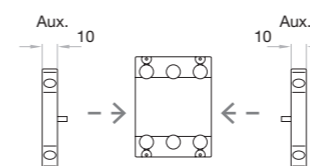
<sup>\*(1)</sup> ZBK63 U stranded 16 mm<sup>2</sup> / flexible 10 mm<sup>2</sup>

## Dimensions (mm)



		A	D1	E1	E2	E3	G	P
20-40 A	3/4P	98	2 x 25,5/20,5/16,5/12,5	75	150	170	180	76
63-125 A	3/4P	140	40,5/32,5 + 16,5 + 12,5	100	160	188,5	200	86
25-40 A	6P	140	40,5/32,5 + 16,5 + 12,5	100	160	188,5	200	86
25-40 A	8P	176	2x40,5 / 32,5	120	200	228,5	240	120
80 A	6/8P	176	2x40,5 / 32,5	120	200	228,5	240	120

### Auxiliary contacts <sup>\*(a1)</sup>



<sup>\*(a1)</sup> Standard enclosure capacity swit + 1 aux.  
For other needs please consult.

>> Other options also available on request:  
- Changeovers  
- Black/grey handle