

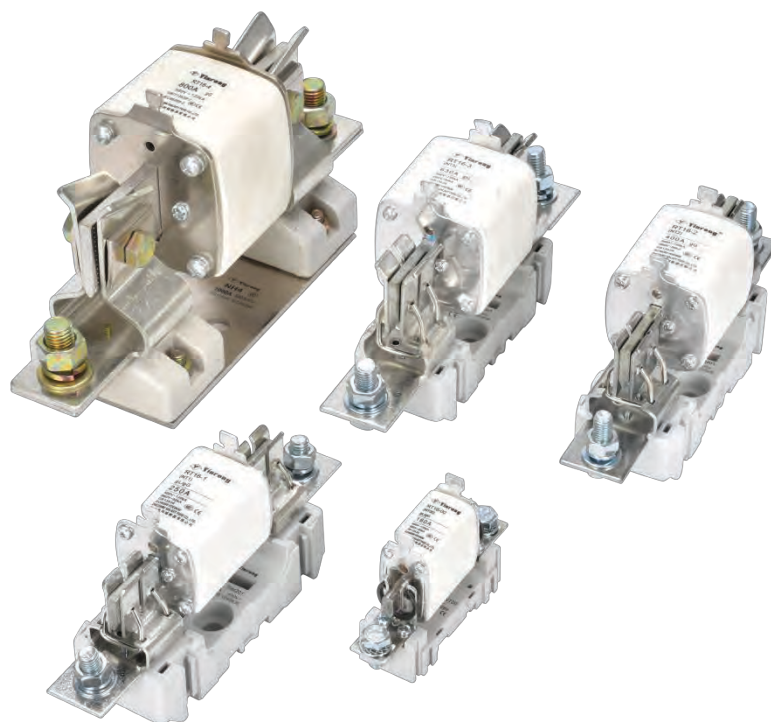
# RUBICON

## INDUSTRIAL FUSE NH & NT HRC FUSE



## Description

The NH&NT HRC Fuse features a standard at size 000; 00; 0; 1; 2; 3 and 4 (NT4 only), low power loss and high breaking capacity at 120kA under 500VAC voltage. This NH&NT HRC Fuse has been widely used in electric installations' overload and short circuit protection. NH&NT HRC Fuse conforms to IEC60269 standards of various ratings and sizes at the advanced world level. We also provide compatible NT fuse bases in screw mounting.



## Technical Data

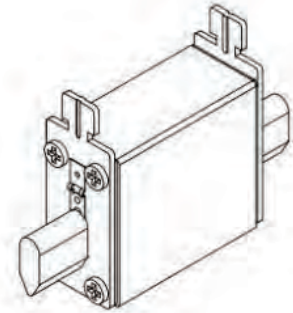
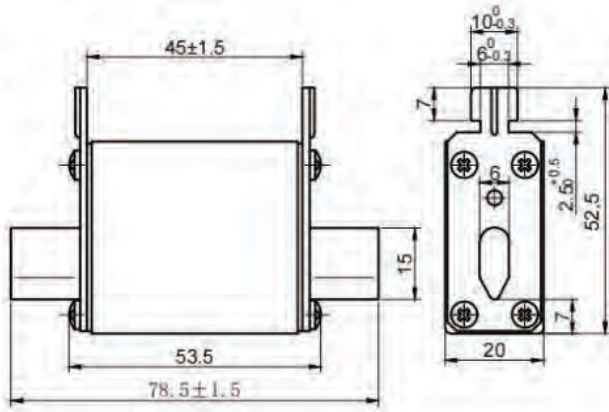
- Rated Voltage: 500VAC/DC; 690VAC/DC; 1140VAC/DC
- Breaking Capacity: 120kA@500V; 50kA@690V; 50kA@1140V
- Rated Current: 4-1250A
- Class of Operation: gG/gL; aR; gR ;aM
- Standards/Approvals: IEC60269-2; GB/T13539.2; IEC60269-4; GB/T13539.4

## Parameters (gG)

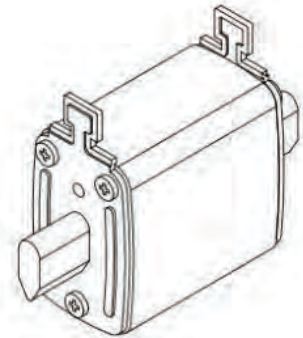
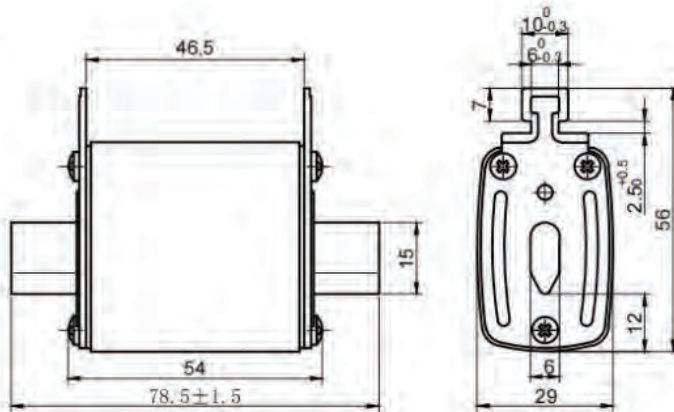
No.	P/N	Voltage (V)	Current (A)
1	NH000/NT000	500/690	4, 6, 10, 16, 20, 25, 32, 40, 50, 63, 80, 100, 125
2	NH00/NT00	500/690	4, 6, 10, 16, 20, 25, 32, 40, 50, 63, 80, 100, 125, 160
3	NH0/NT0	1140	4, 6, 10, 16, 20, 25, 32, 40, 50, 63, 80, 100, 125, 160
4	NH1/NT1	500/690	32, 40, 50, 63, 80, 100, 125, 160, 200, 224, 250
5	NH2/NT2	500/690	80, 100, 125, 160, 200, 224, 250, 315, 355, 400
6	NH3/NT3	500/690	200, 224, 250, 315, 355, 400, 450, 500, 630, 800
7	NT4	500/690	700, 800, 900, 1000, 1250

## NT Dimensions (mm)

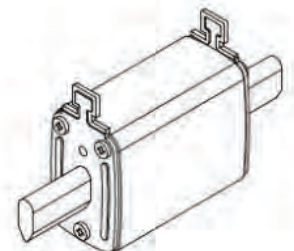
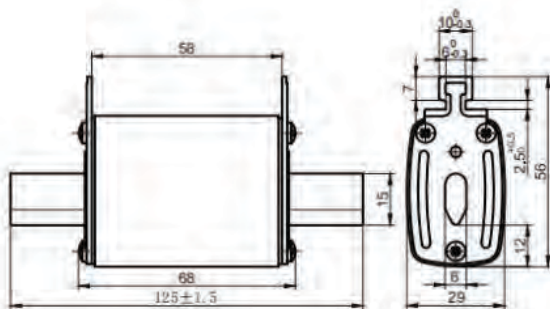
NT000



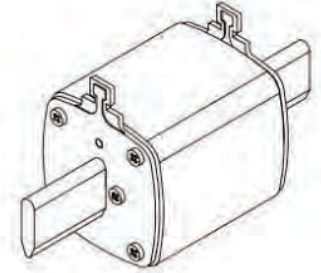
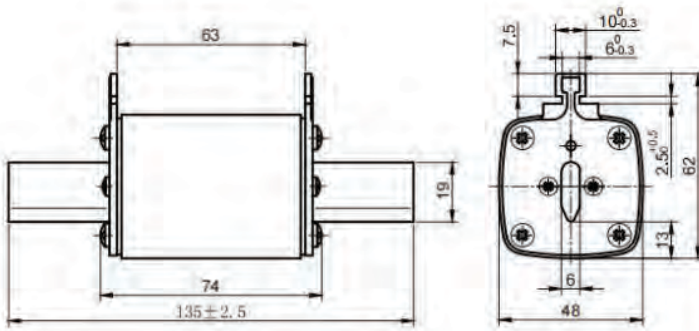
NT00



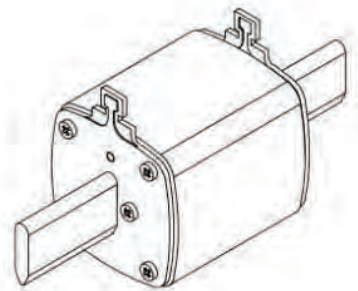
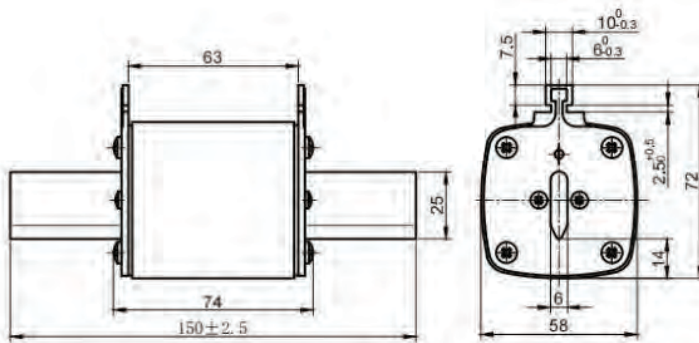
NT0



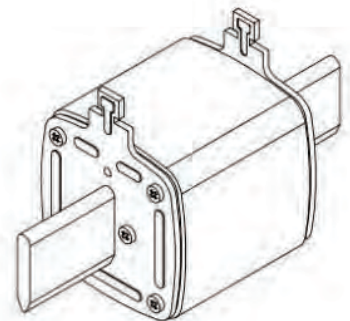
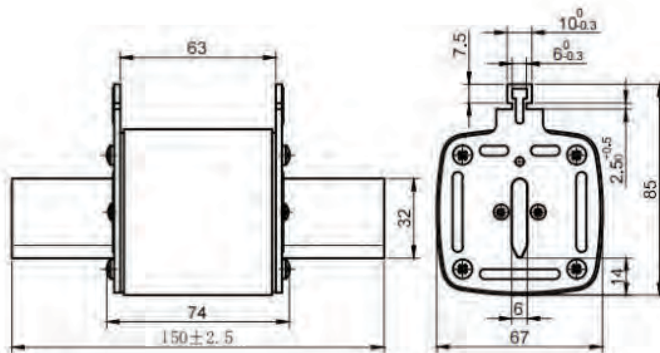
NT1



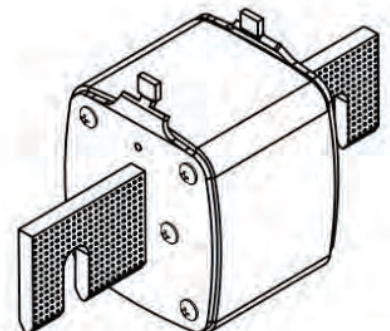
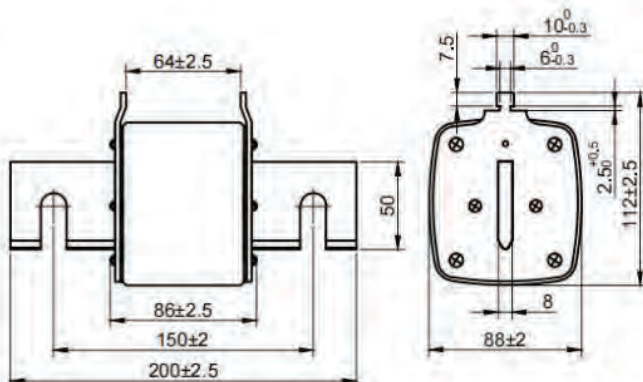
NT2



NT3

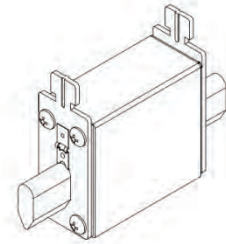
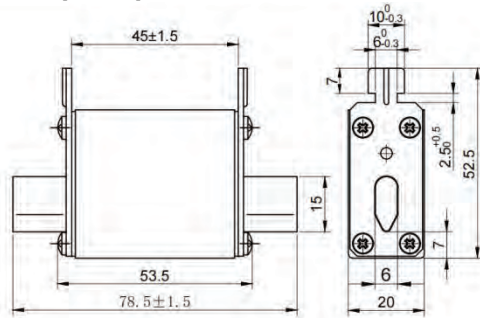


NT4

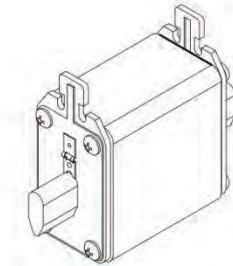
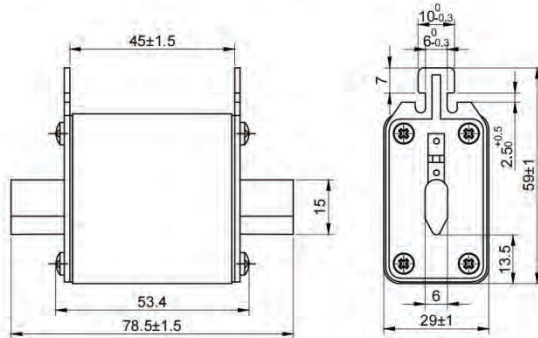


NT Dimensions (mm)

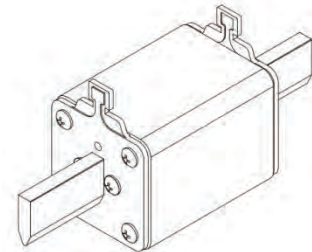
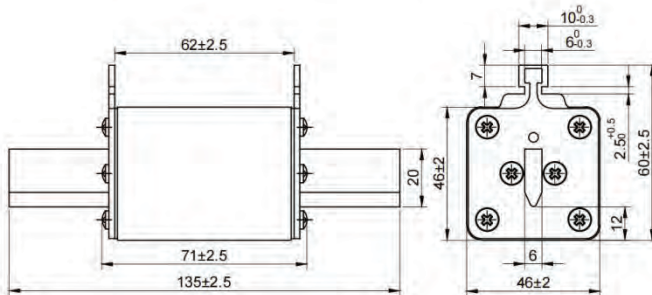
NH000



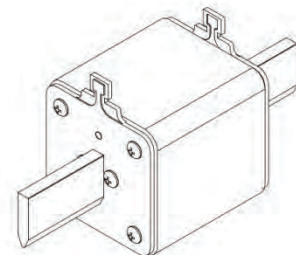
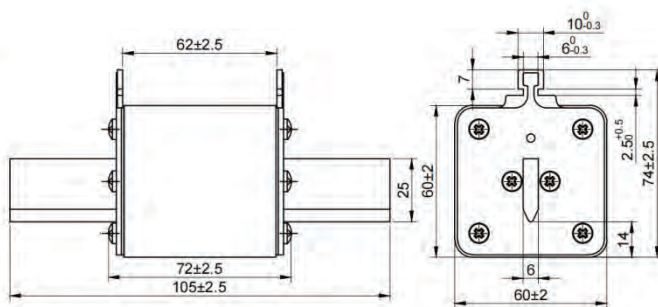
NH00



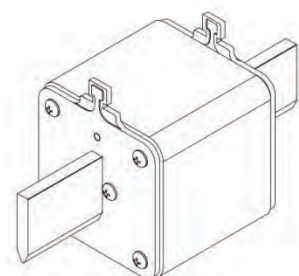
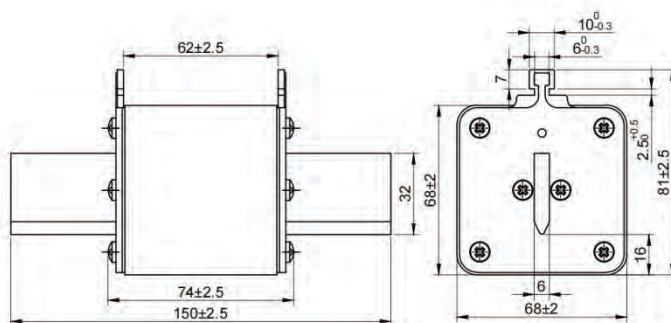
NH1



NH2

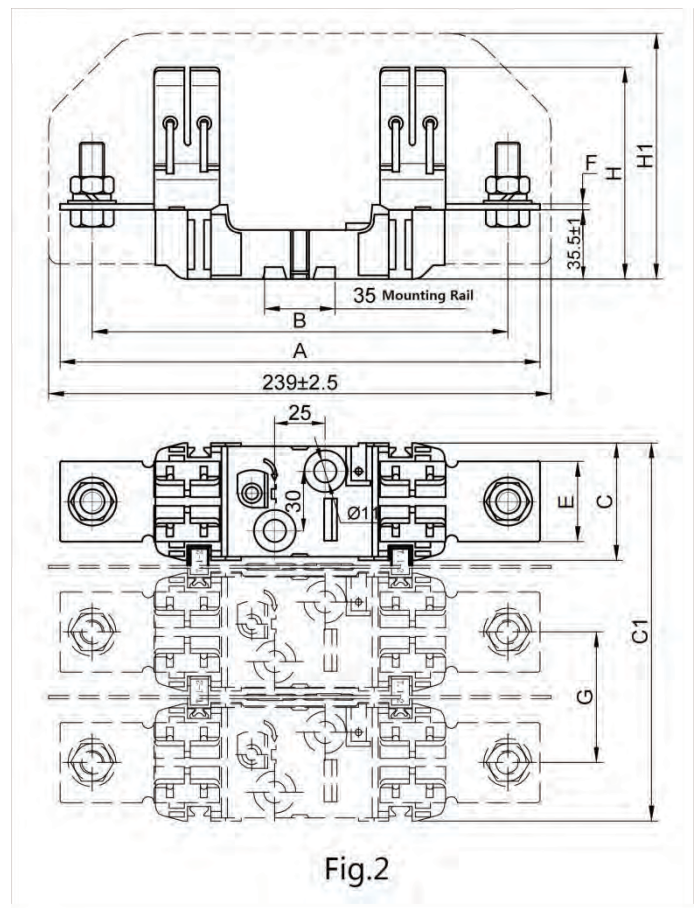
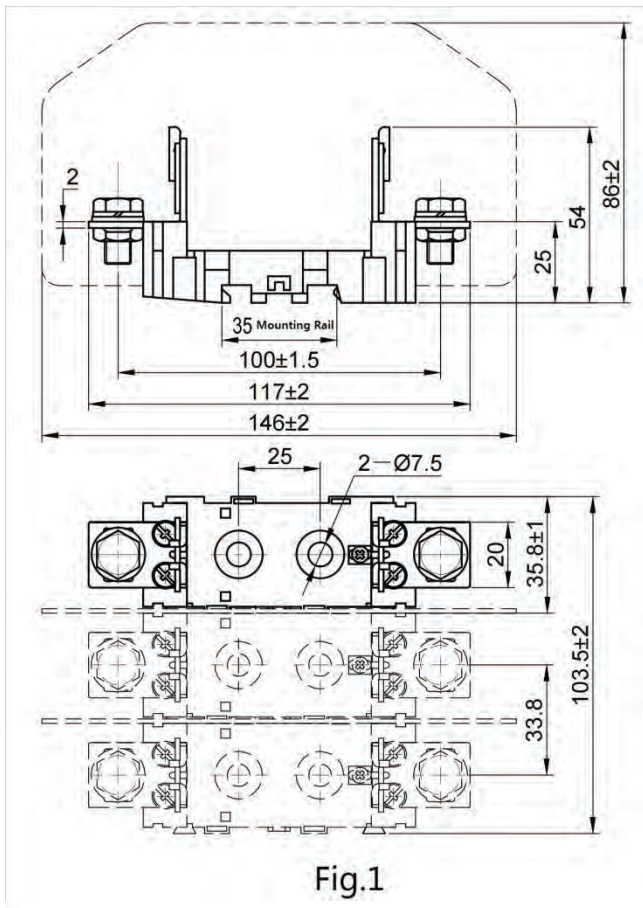


NH3



NH & NT Fuse Base

P/N	Rated Voltage (V)	Rated current (A)	Matchable Fuse Size	Fig.	Overall Dimension							Maximum Withstand Power Loss (W)
					A±2.5	B±1.5	C, C1±1.5	E±0.5	F±0.2	G±1.5	H, H1±2	
NH00Y	690	160	000, 00		Fig.1							12
NH1Y	690	250	1	Fig.2	208	175	58	32	2.0	/	82	32
NH2Y	690	400	2		224	200	58	35	2.5	/	89	45
NH3Y	690	630	3		240	210	58	40	3.0	/	104	60
NH00Y-3P	690	160	000, 00		Fig.1							12
NH1Y-3P	690	250	1	Fig.2	208	175	189	32	2.0	65	123	32
NH2Y-3P	690	400	2		224	200	189	35	2.5	65	123	45
NH3Y-3P	690	630	3		240	210	230	40	3.0	85	123	60
RT16-4 (NT4)	690	1600	4		Fig.3							110



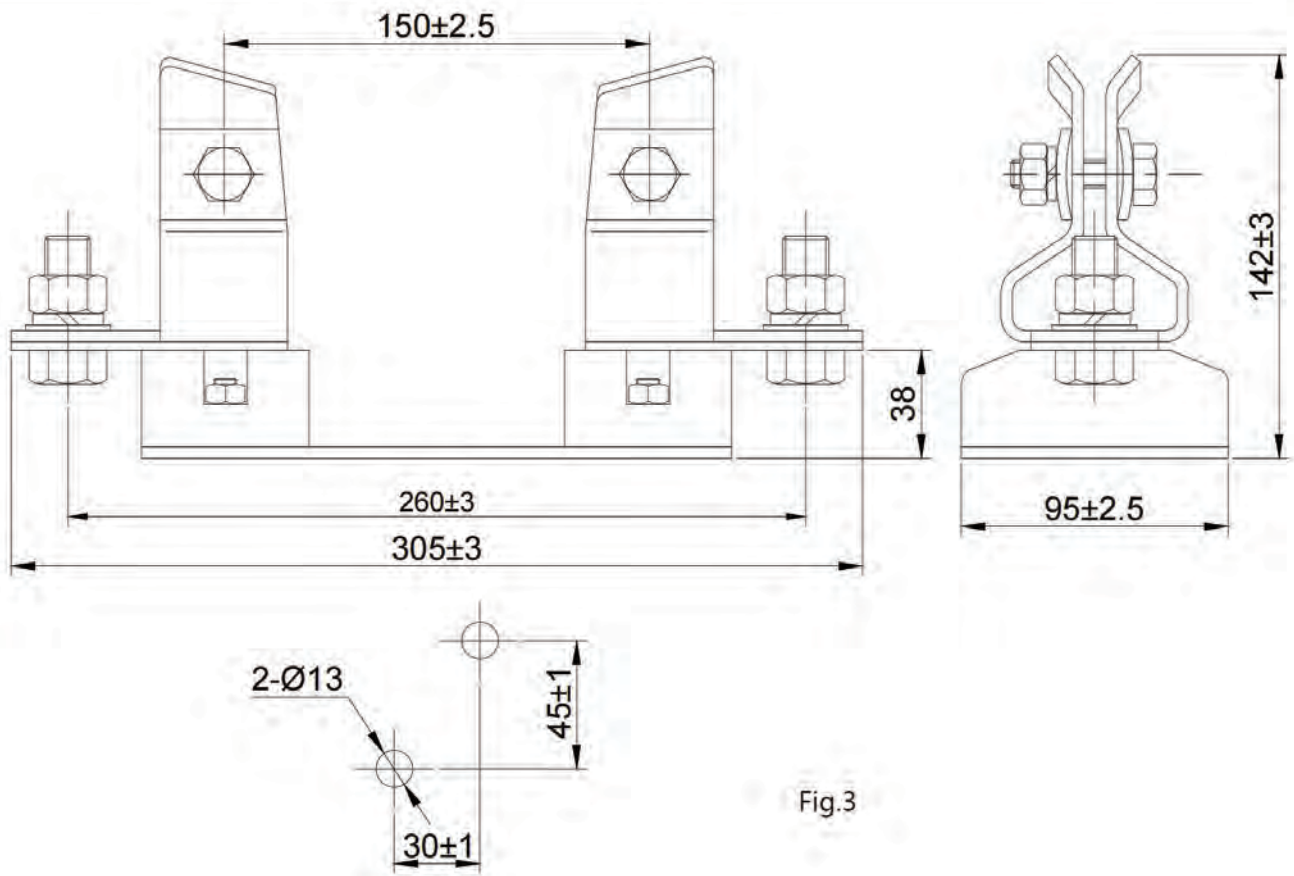
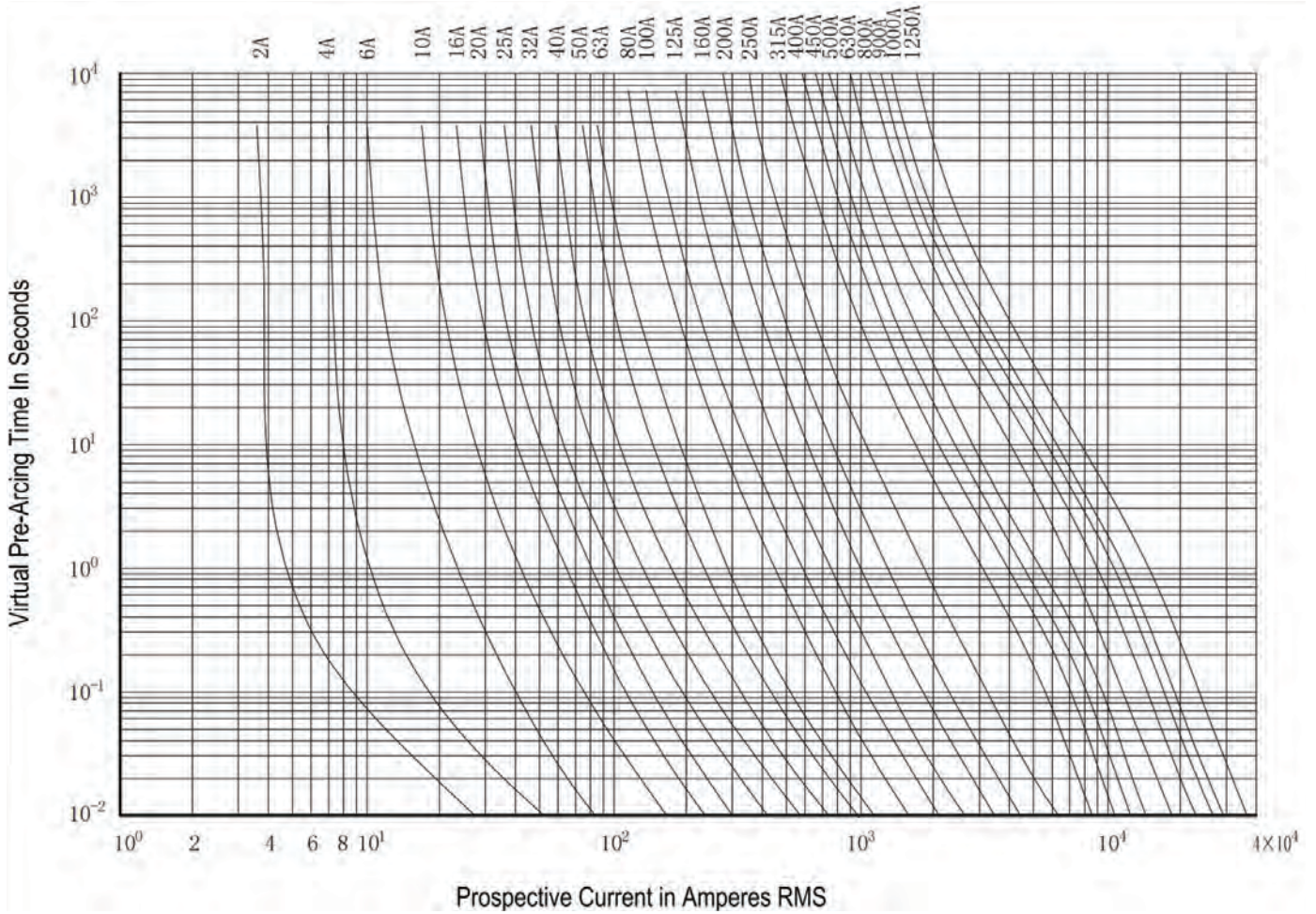
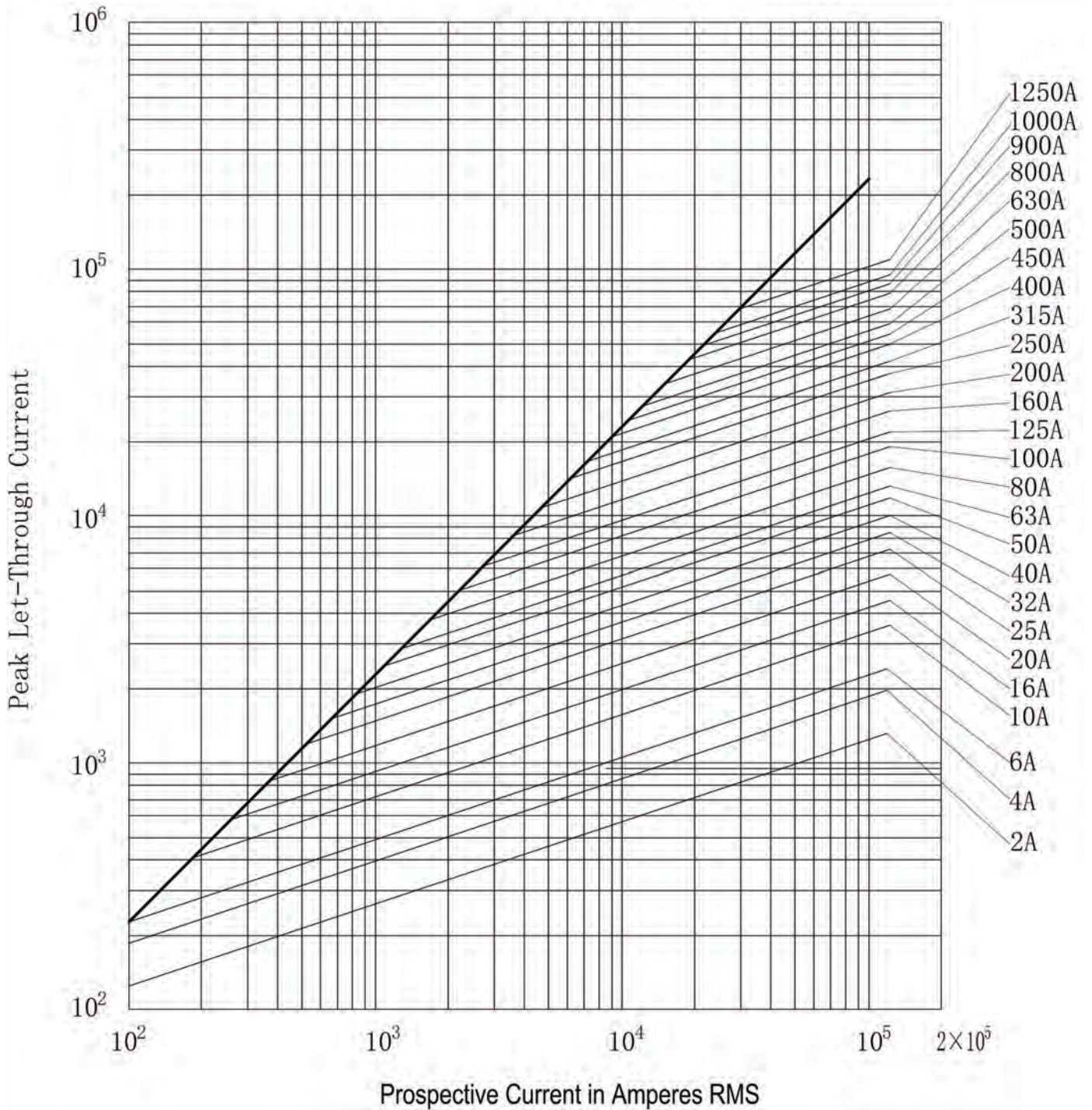


Fig.3



Time-Current Characteristic (gG)





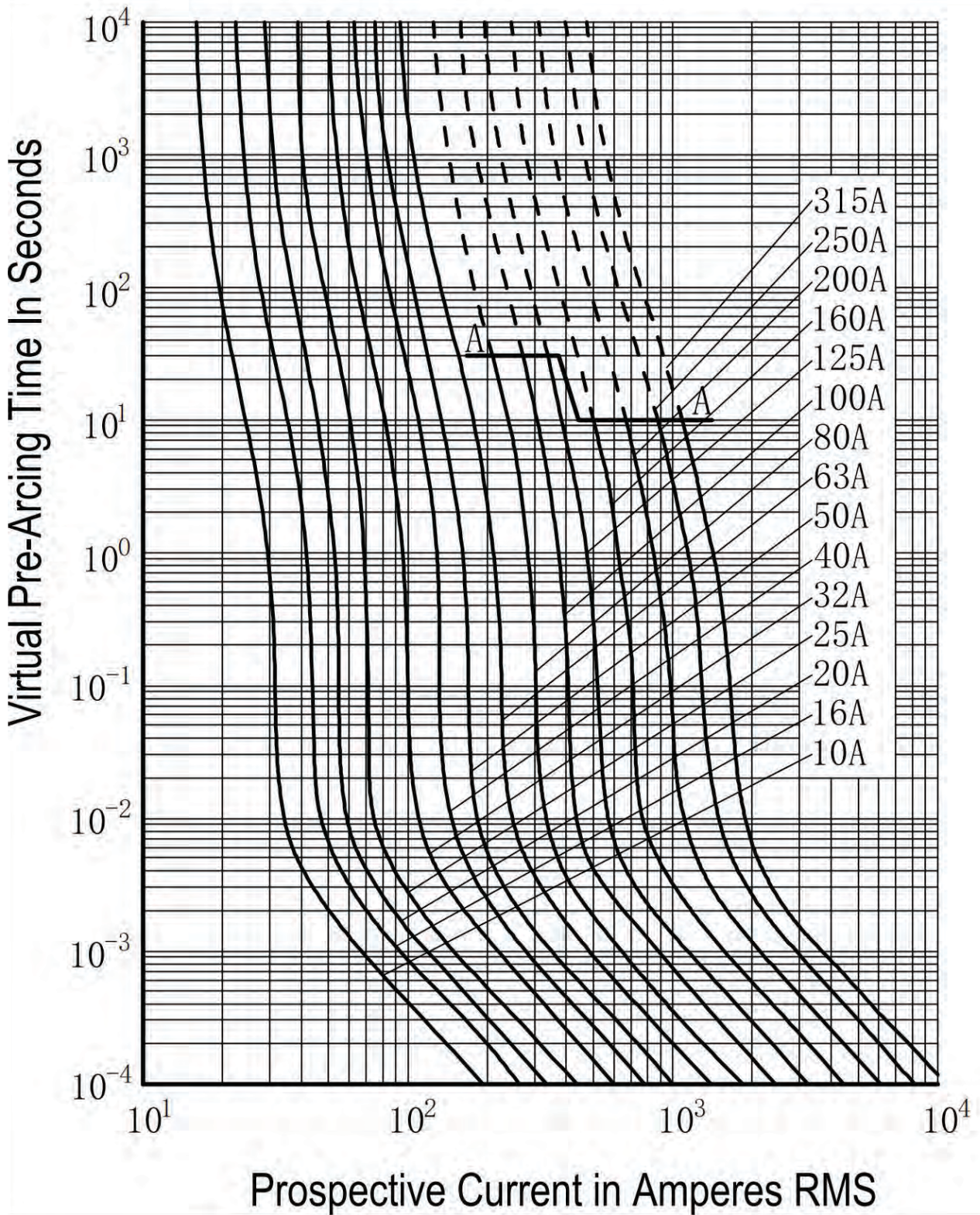
**gR Conventional fusing and convention not fusing**

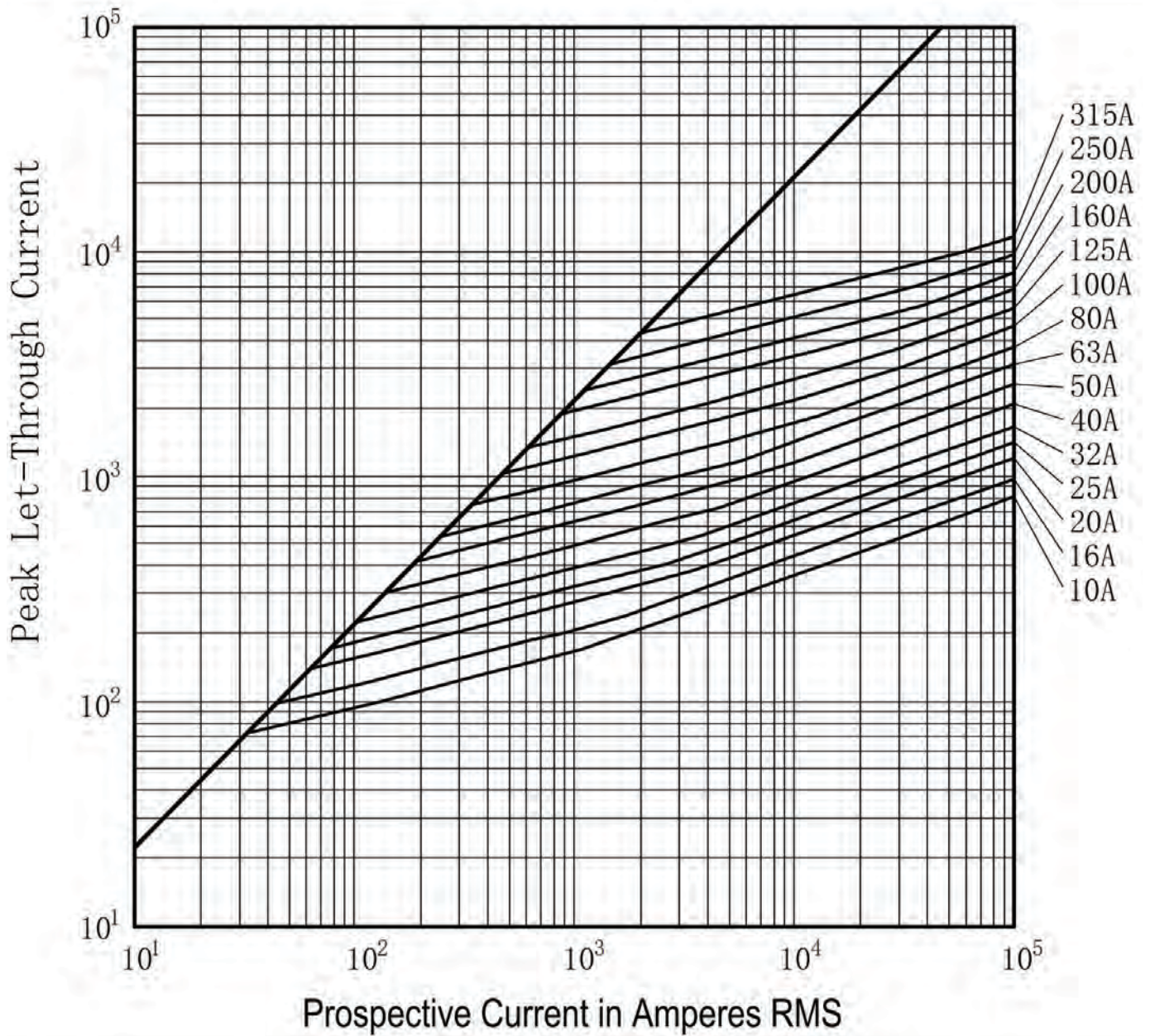
gR Conventional Time and Conventional current			
Rated Current A	Conventional Time h	Conventional Current	
		Inf	If
$I_n \leq 63$	1		
$63 < I_n \leq 160$	2	1.13I <sub>n</sub>	1.61I <sub>n</sub>
$160 < I_n \leq 400$	3		
$I_n > 400$	4		

**Parameters (aR)**

P/N	Current (A)	I <sup>2</sup> t (A <sup>2</sup> s) 690V/700VAC		Power Loss (W)
		Pre-arcing	Melt	
NH/NT000-690V/10A	10	4	26	3
NH/NT000-690V/16A	16	7	47	5.5
NH/NT000-690V/20A	20	11	77	7
NH/NT000-690V/25A	25	19	129	9
NH/NT000-690V/32A	32	40	270	10
NH/NT000-690V/40A	40	68	455	12
NH/NT000-690V/50A	50	116	772	15
NH/NT000-690V/63A	63	214	1430	16
NH/NT000-690V/80A	80	385	2560	19
NH/NT000-690V/100A	100	690	4650	24
NH/NT000-690V/125A	125	1190	8500	28
NH/NT000-690V/160A	160	2200	15800	32
NH/NT000-690V/200A	200	4180	27800	38

Time-Current Characteristic (aR)

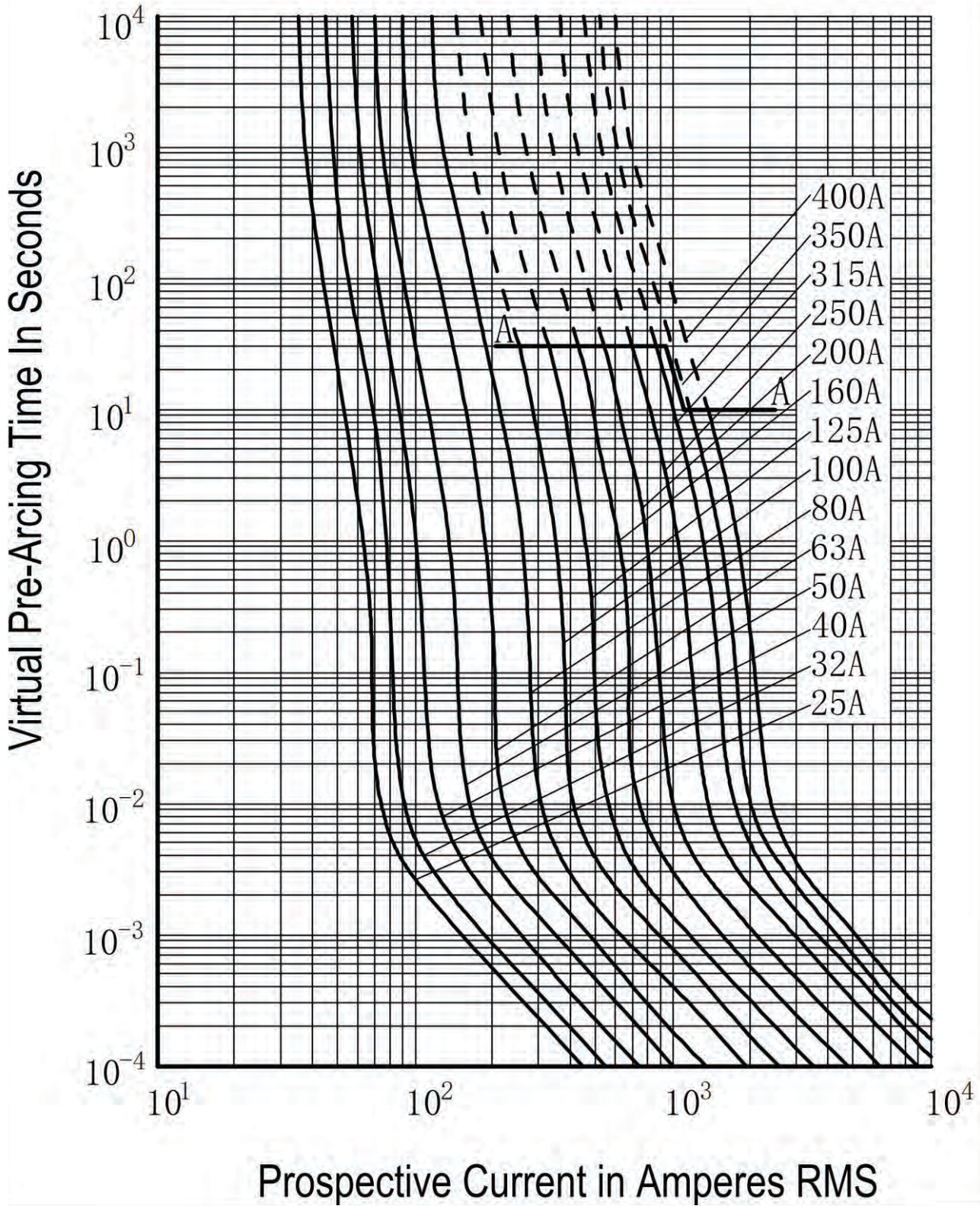




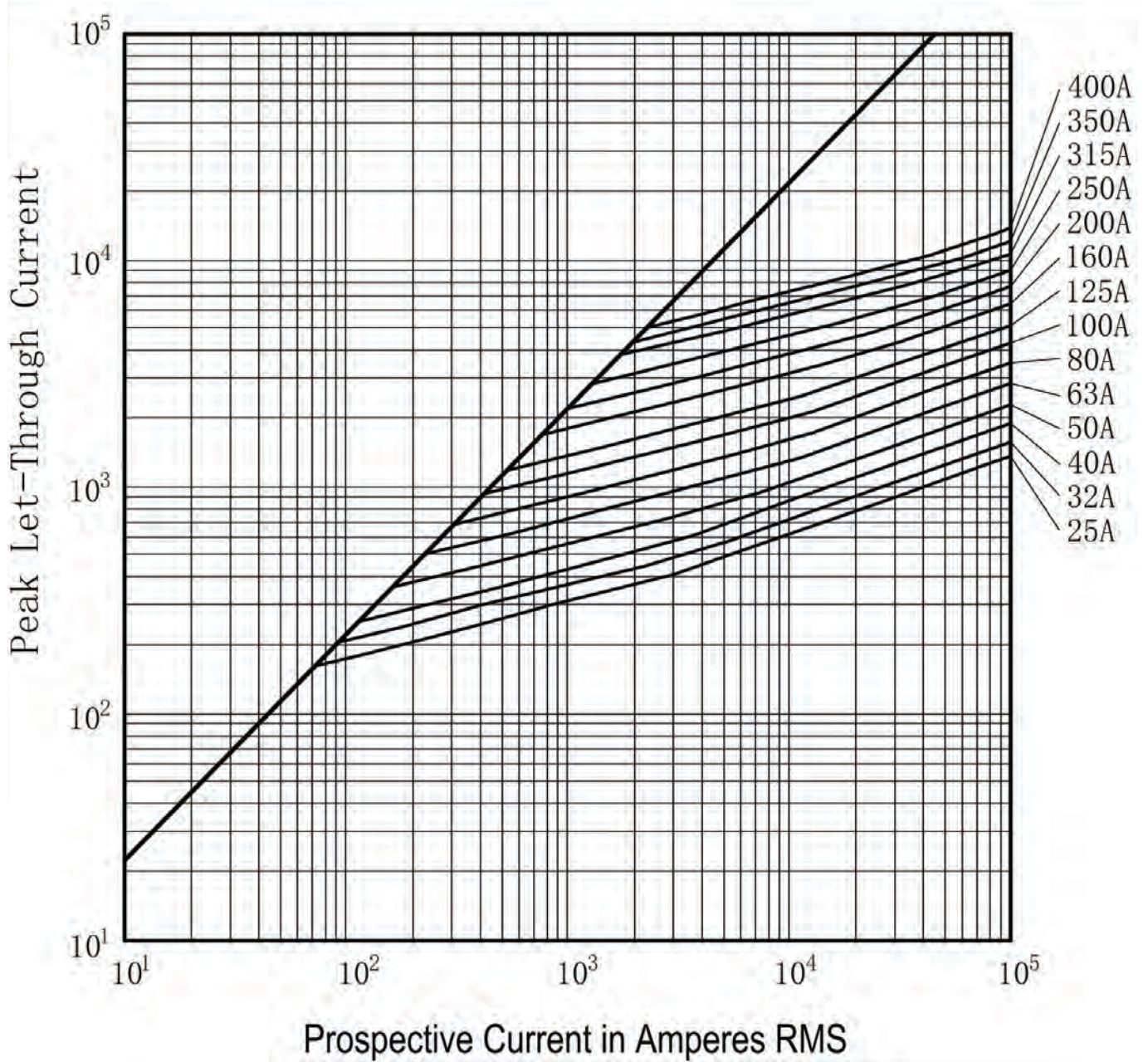
**Parameters (aR)**

P/N	Current (A)	I <sup>2</sup> t (A <sup>2</sup> s) 690V/700VAC		Power Loss (W)
		Pre-arcing	Melt	
NH/NT00-690V/20A	20	10	75	5
NH/NT00-690V/25A	25	17	128	6
NH/NT00-690V/32A	32	28	190	7
NH/NT00-690V/40A	40	51	370	9
NH/NT00-690V/50A	50	96	650	10
NH/NT00-690V/63A	63	175	1220	12
NH/NT00-690V/80A	80	320	2200	15
NH/NT00-690V/100A	100	630	4200	20
NH/NT00-690V/125A	125	1100	6990	25
NH/NT00-690V/160A	160	1980	13100	30
NH/NT00-690V/200A	200	3500	23100	35
NH/NT00-690V/250A	250	6260	42200	45
NH/NT00-690V/315A	315	10100	68600	55

Time-Current Characteristic (aR)



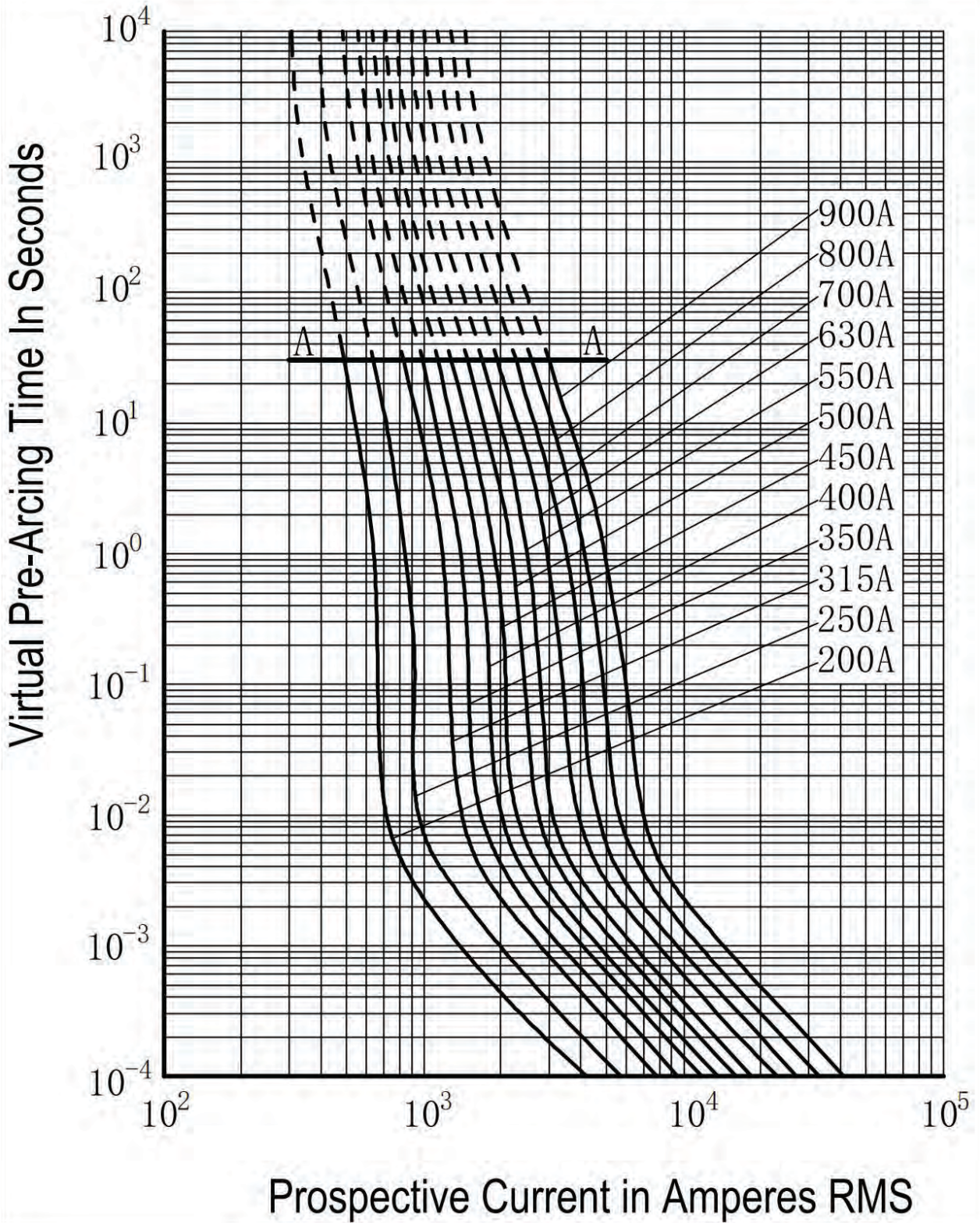


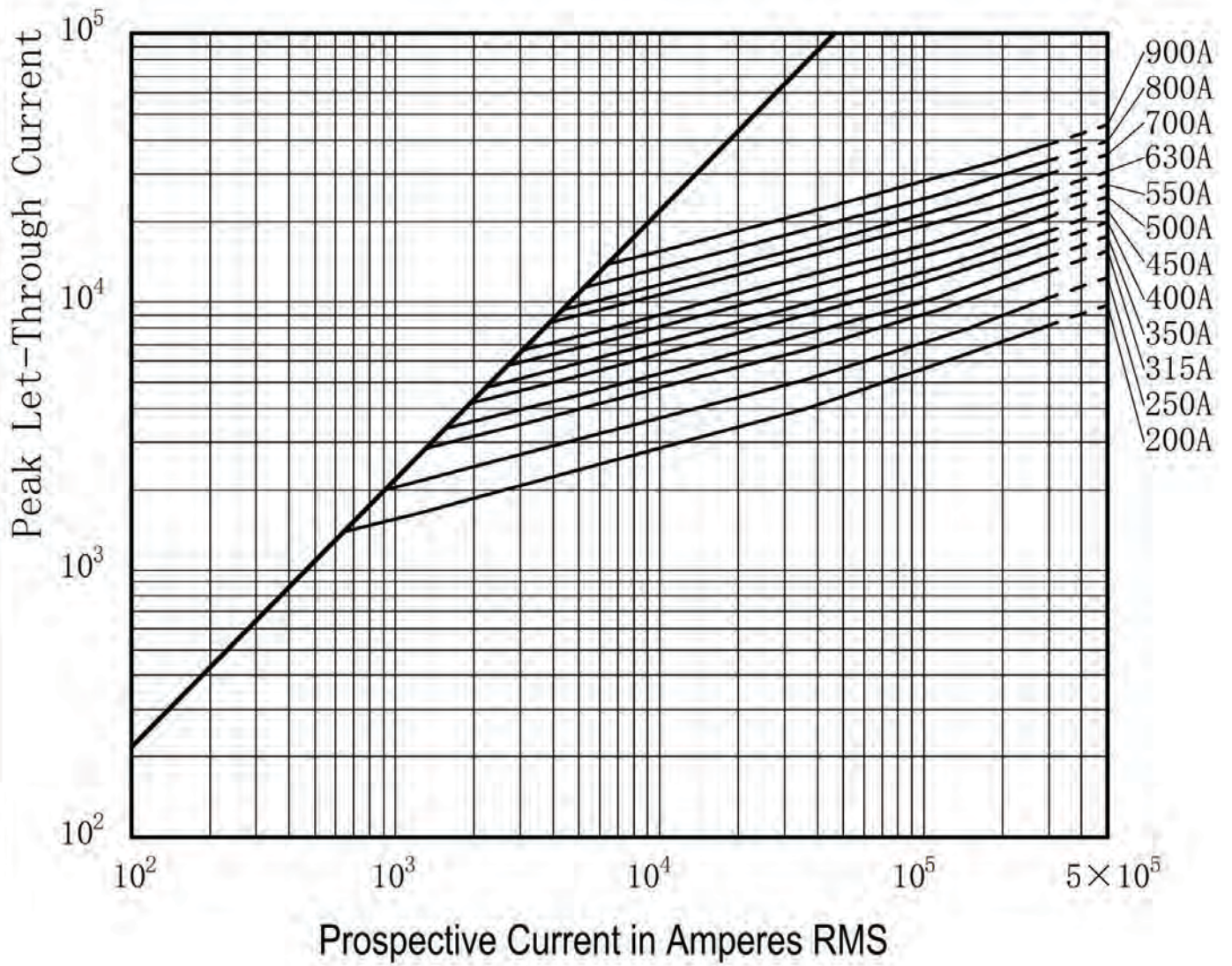


**Parameters (aR)**

P/N	Current (A)	I <sup>2</sup> t (A <sup>2</sup> s) 690V/700VAC		Power Loss (W)
		Pre-arcing	Melt	
NH/NT1-690V/40A	40	49	278	8
NH/NT1-690V/50A	50	76	488	10
NH/NT1-690V/63A	63	112	759	12
NH/NT1-690V/80A	80	200	1180	15
NH/NT1-690V/100A	100	330	2200	20
NH/NT1-690V/125A	125	600	3700	24
NH/NT1-690V/160A	160	1050	7300	30
NH/NT1-690V/200A	200	1900	13300	34
NH/NT1-690V/250A	250	3500	24100	40
NH/NT1-690V/315A	315	6500	44100	48
NH/NT1-690V/400A	400	15400	98500	60

Time-Current Characteristic (aR)

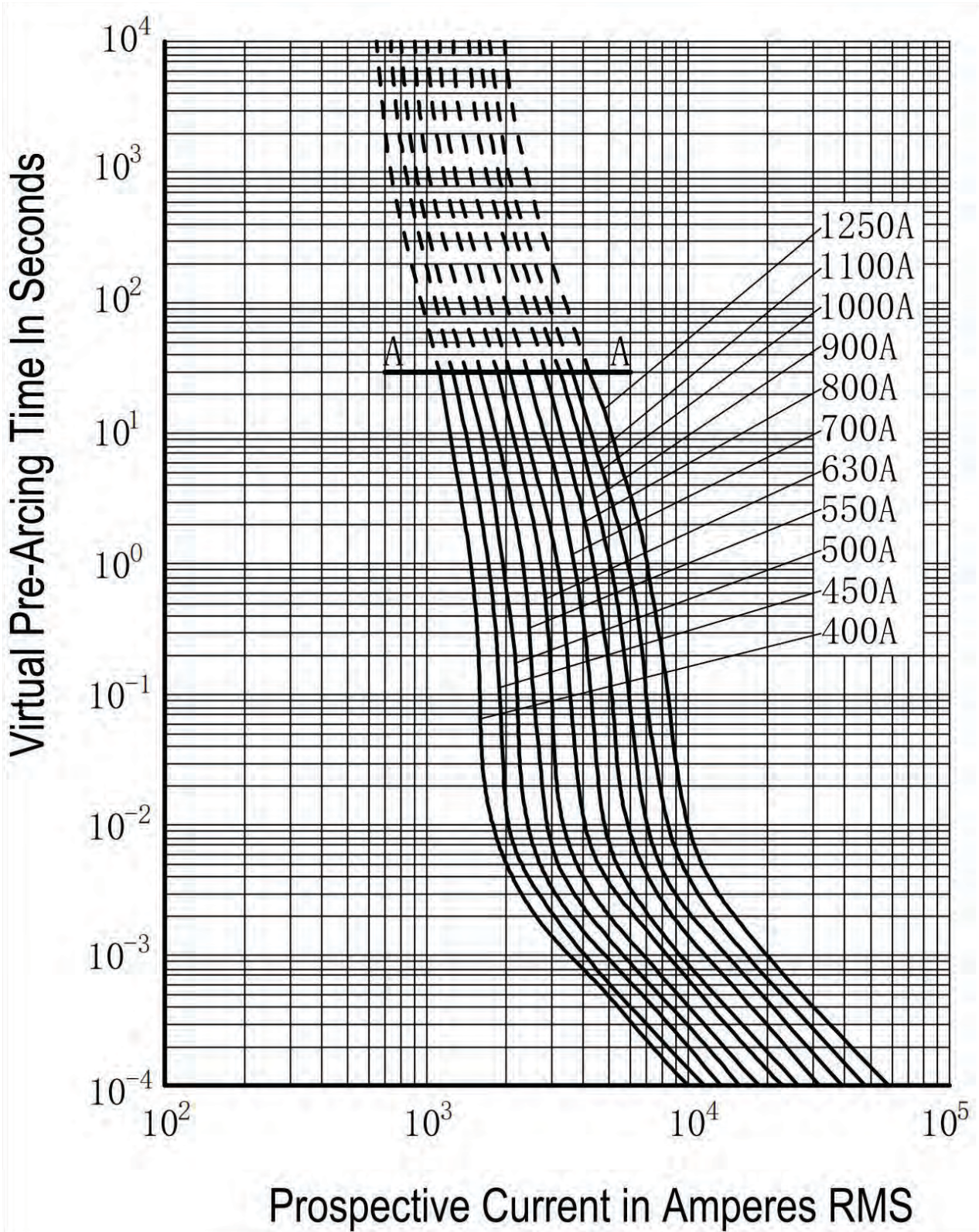


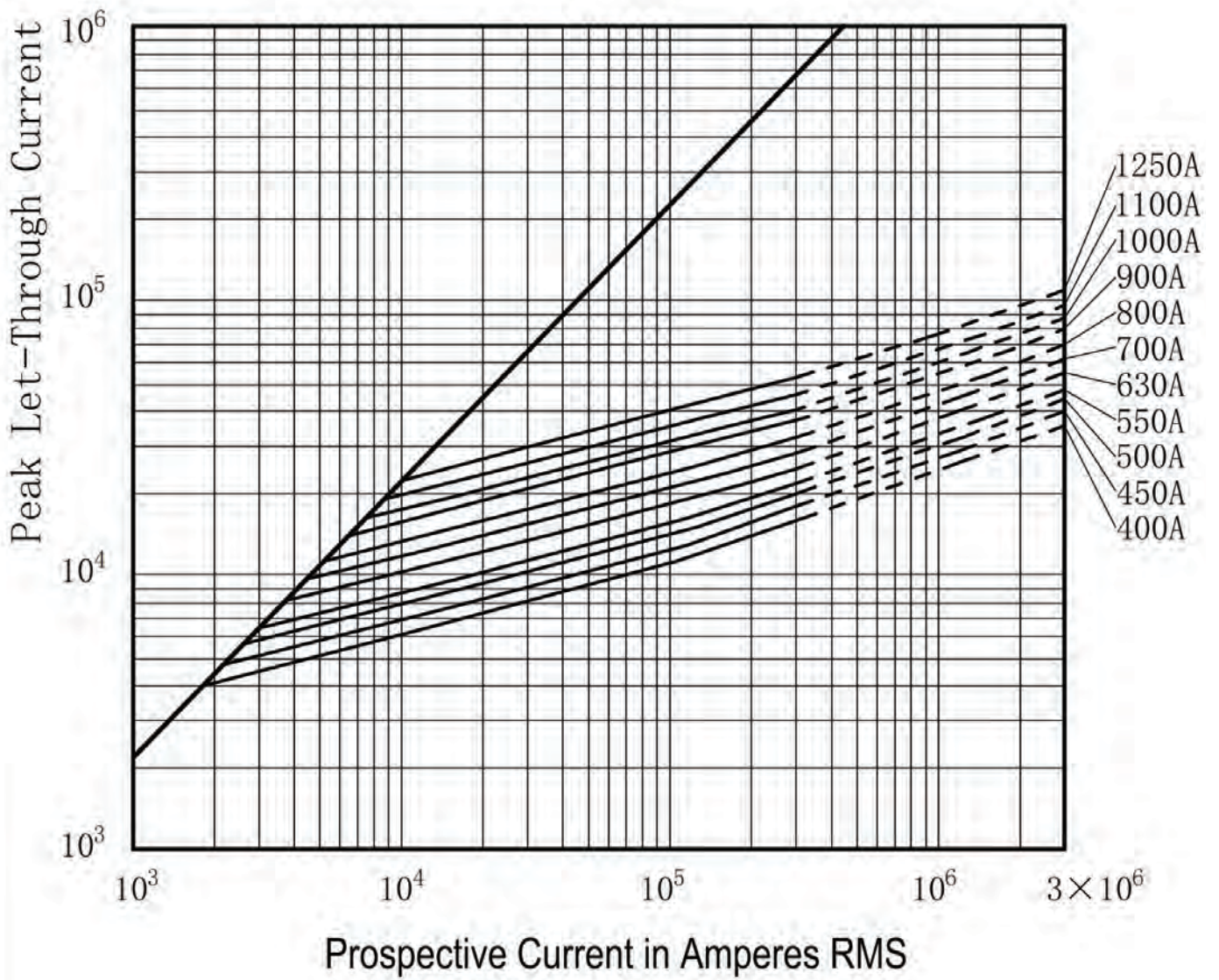


**Parameters (aR)**

P/N	Current (A)	I <sup>2</sup> t (A <sup>2</sup> s) 690V/700VAC		Power Loss (W)
		Pre-arcing	Melt	
NH/NT2-690V/125A	125	590	3600	25
NH/NT2-690V/160A	160	1020	7200	32
NH/NT2-690V/200A	200	1700	11500	40
NH/NT2-690V/250A	250	3200	21200	50
NH/NT2-690V/315A	315	6500	39900	55
NH/NT2-690V/350A	350	8500	56100	60
NH/NT2-690V/400A	400	11900	73500	60
NH/NT2-690V/450A	450	18500	104000	65
NH/NT2-690V/500A	500	25200	145000	70
NH/NT2-690V/630A	630	31400	189000	75
NH/NT2-690V/700A	700	43000	269000	80

Time-Current Characteristic (aR)



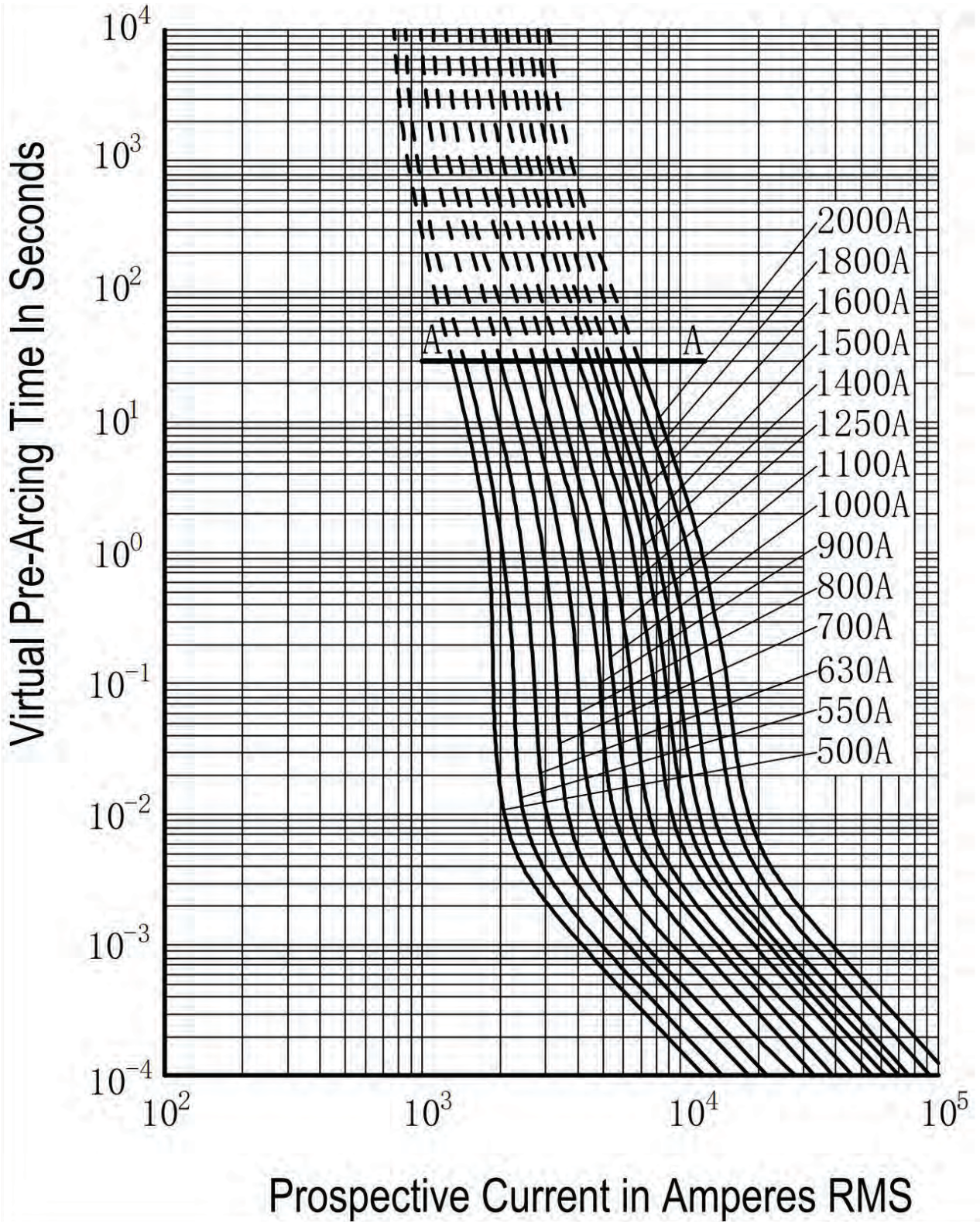


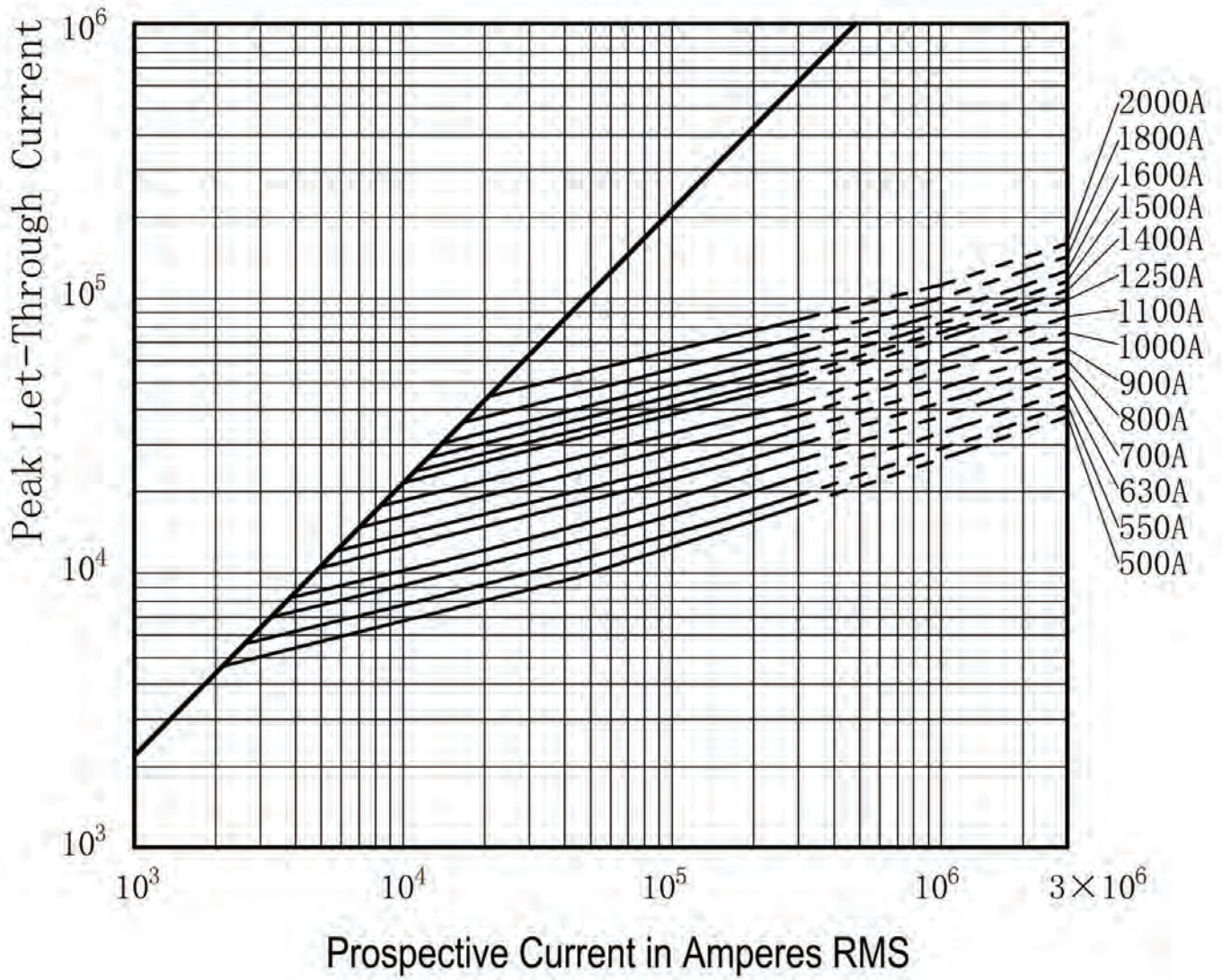
**Parameters (aR)**

P/N	Current (A)	I <sup>2</sup> t (A <sup>2</sup> s) 690V/700VAC		Power Loss (W)
		Pre-arcing	Melt	
NH/NT3-690V/400A	400	11900	73500	60
NH/NT3-690V/450A	450	17900	93000	85
NH/NT3-690V/500A	500	21900	133000	92
NH/NT3-690V/630A	630	35500	198000	100
NH/NT3-690V/700A	700	51000	285000	105
NH/NT3-690V/800A	800	82200	459000	110
NH/NT3-690V/900A	900	111000	670000	117
NH/NT3-690V/1000A	1000	161000	951000	122



Time-Current Characteristic (aR)





# Contact

## Cape Town

1B Hansen Close,  
Richmond Park,  
Cape Town  
T. +27 21 555 0570

## Durban

Unit L, Nandi Park,  
34 Brickworks Way  
Briardene  
T. +27 31 001 2964

## Namibia - Windhoek

Unit 2, Tesoro Building,  
31 TV More Street  
Windhoek  
T. +264 61 40 0339

## Johannesburg

17 Galaxy Road,  
Unit 5A Galaxy Park,  
Linbro Park  
T. +27 11 262 5179

## Port Elizabeth

216 Main Road,  
Walmer  
Port Elizabeth  
T. +27 41 451 4359