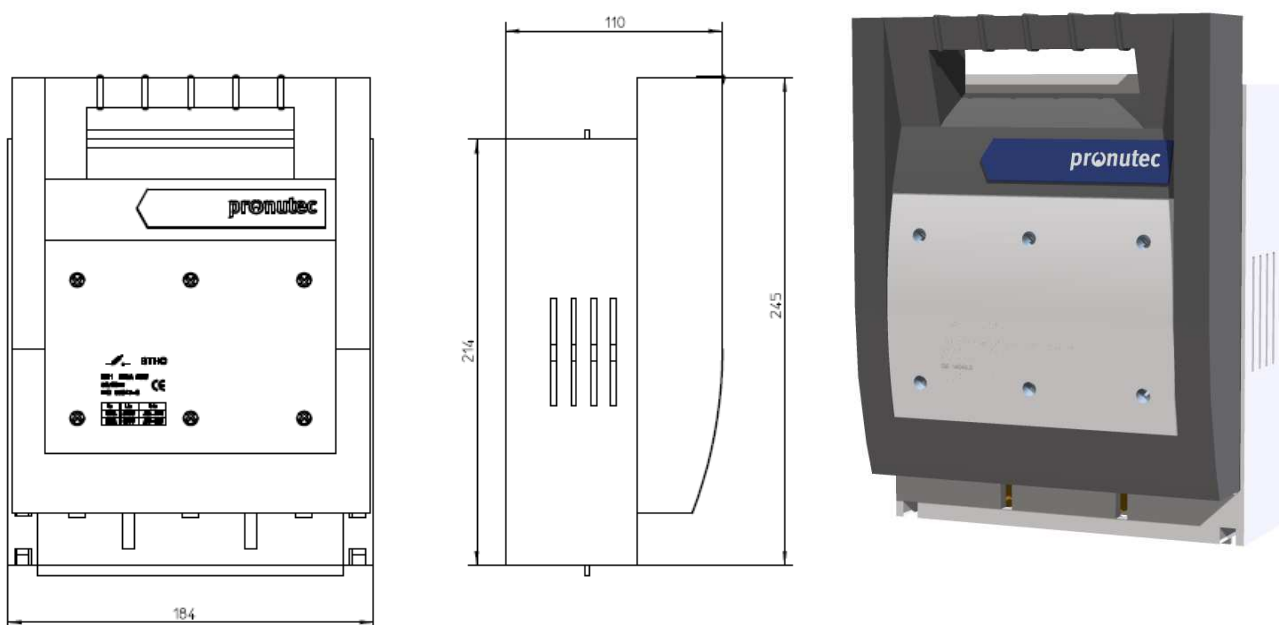


PRODUCT

Reference 432132013E8
 Product type/ Description BTHC NH1, 250A
 HORIZONTAL FUSE SWITCH DISCONNECTOR, PANEL MOUNTING,
 250A, 3-POLE SWITCHABLE, M10

DIMENSIONS /PHOTO



TECHNICAL DATA

Rated operational voltage	Ue (V)	800
Rated operational current	Ie (A)	250
Rated frequency	(Hz)	40-60
Rated insulation voltage	Ui (V)	800
Utilization category		AC-23B (400V/160A) AC-22B (400V) AC-21B (690V)
Rated impulse withstand voltage	Uimp (KV)	8