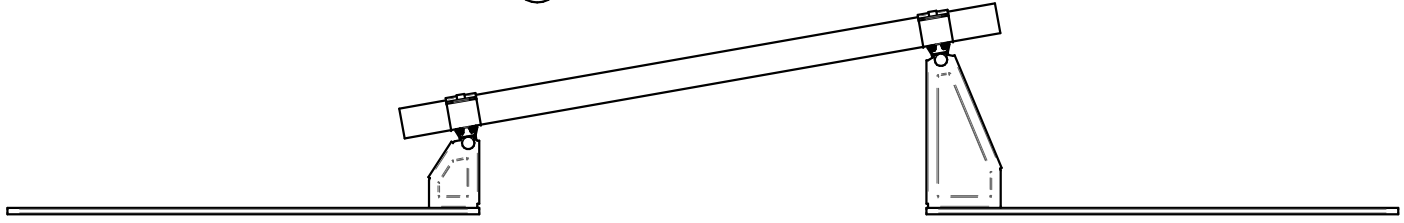
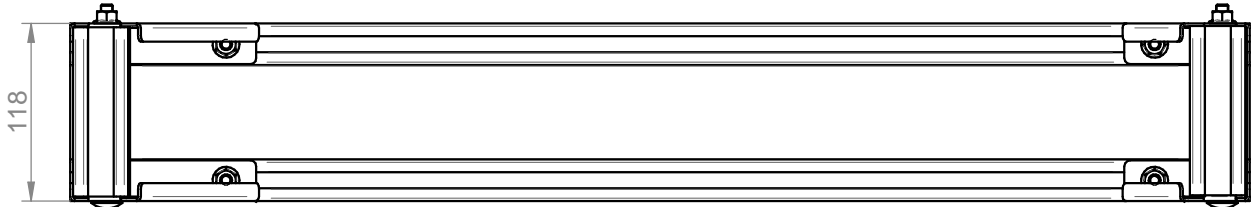
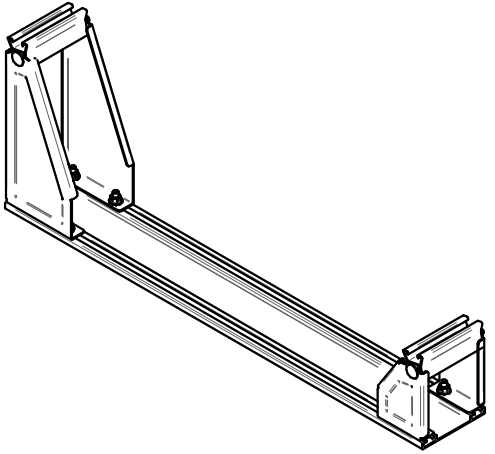
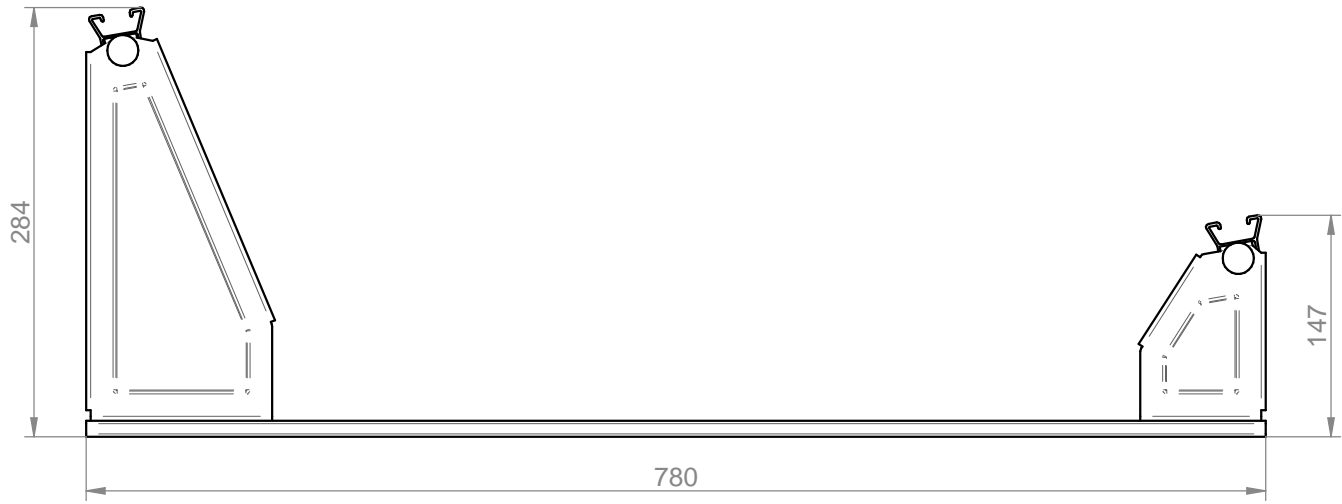


40101

LSTP100



C:\Documenti Utente\Technico Mounir\Disegni Fotovoltaico\Lizard SA\40101 - LSTP100.dft

General tolerances								Volume	Weight
<20 ± 0.1	>20 ± 0.2 <50	>50 ± 0.3 <150	>150 ± 0.5 <400	>400 ± 0.8	$\nabla \nabla = \frac{0.8}{\sqrt{\quad}}$	$\nabla \nabla = \frac{3.2}{\sqrt{\quad}}$	$\nabla = \frac{12.5}{\sqrt{\quad}}$	~ = ∇	1,73 kg

designed by: Pillon M.	approved by:	creation data: 13/11/2015		
signature:	signature:	last modified: 13/11/2015		
material:	replaces:			
cod. product: 40101	replaced by:			
description: Triangular support tilt 10°			scale	