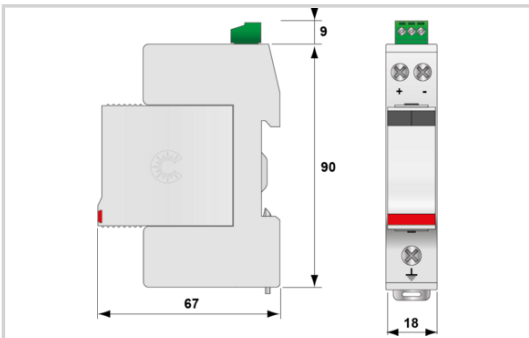


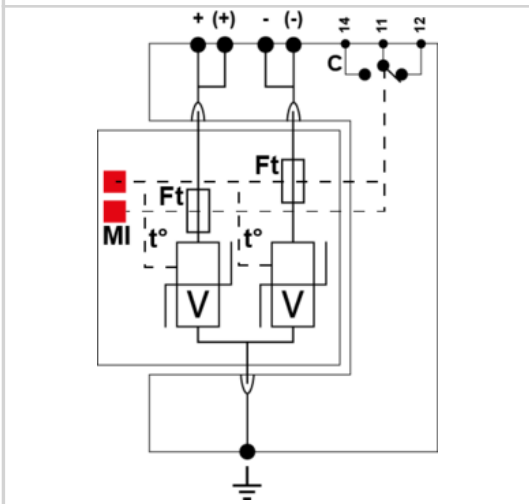
DS240S-130DC



- MOV Technology
- UL1449 Type 4CA
- 40kA Surge Current Rating per module
- Visual fault indicator and remote contacts
- 10-Year warranty



Electrical Characteristics	
Max. load current	IL 20 A
Total Maximum discharge current (max. total withstand @ 8 /20 μs )	I <sub>max</sub> Total 80 kA
Protection mode(s)	Common mode
POWER SPD TYPE	UL1449 TYPE 4CA
VOLTS	(V) 130
AC/DC/DC PV/RF	DC
PHASE	(PH) -
AMPS	(A) n/a
AMBIENT MIN	(C) -35
AMBIENT MAX	(C) +85
MODES	DC+DC-,DC+G,DC-G
MLV	(V) 1720/1320/1280
MCOV	(V) 180/180/180
IN(15 impulses 8/20μs)	(kA) 20
SCCR	(kA) n/a
IMAX(8/20μs)	(kA) 40



Mechanical Characteristics	
Outdoor application	No
Weight	0.121 kg
TECHNOLOGY	MOV
NETWORK CONFIGURATION	2W+G
CONNECTION METHOD	Screw Terminal (8-12AWG)
MOUNTING	DIN RAIL
MATERIAL	Thermoplastic UL94-V0
NEMA RATING (IP RATING)	NEMA 2 (IP20)
FAIL-SAFE BEHAVIOR	Disconnection via fuse-link
REAL-TIME DIAGNOSTICS	Visual indicator and remote contacts
DIMENSIONS	See diagram (mm)
WEIGHT	0.30 lbs
SPARE PART	DSM240-130DC

V: High-energy varistor  
 Ft: Thermal fuse  
 C: Remote signal contact  
 t°: Thermal disconnection system  
 MI: Disconnection indicator

Standards	
Certification	UL / EAC
UL STANDARD	UL1449 5th Edition
UL CATEGORY	VZCA2, VZCA8
UL FILE NUMBER	E326289
STANDARDS	IEC 61643-11, NOM-003-SCFI-2014, NOM-001-SCFI-1993
ENVIRONMENTAL STANDARDS	ROHS

Part number	
310811	



# Mouser Electronics

Authorized Distributor

Click to View Pricing, Inventory, Delivery & Lifecycle Information:

Citel:

[DS240S-130DC](#)