

BAJARACK WARRANTY



This Limited Warranty covers BajaRack products and all accessories for a period of 2 years from the date of purchase to the original owner of the product and does not apply once the equipment is sold or transferred to another person.

This Warranty does not cover the cost of removal of reinstallation or the product. BajaRack warrants (subject to conditions listed in this warranty) all products to be free of manufacturing defects in materials and workmanship.

Warranty claim requirements

The claim has to be submitted during the warranty period at the place of purchase or directly at our corporate office located:



BajaRack Adventure Equipment
2275 Michael Faraday Drive, Suite 6
San Diego, CA 92154 USA
Phone Number: 760-621-0171

On your product you will find a label with a serial number. If you remove this label, please save the serial number in a safe place. You will need it if you want to make a warranty claim in the future. Any cost incurred to transport the defective product "to and from" will be the customer's responsibility.



Warranty resolution

Subject to BajaRack inspection of the product, the company will remedy defects in materials and/or workmanship by repairing or replacing, at BajaRack's option, the defective product without charge for parts or labor, subject to the limitations and exclusions described in this warranty. BajaRack may elect, at its option, not to repair or replace a defective product, in which case BajaRack will issue to the original retail purchaser, at BajaRack's option, either a full refund equal to the purchase price paid for the product, or a credit to be used toward the purchase of new BajaRack products or accessories.

Limitations of Liability

BajaRack is not liable for damage caused by shipping or transport of BajaRack products. It is the responsibility of the original retail purchaser to inspect all products prior to acceptance and to notify the shipping carrier in a timely manner so that any claim for damages can be made. If timely notification to the shipping carrier by the original retail purchaser is not made regarding damage caused during the transport of the product, a claim for damages may not be possible, and all liability falls to the original retail purchaser. This warranty does not apply if accident, abuse, misuse, collision, overloading, modification, misapplication, improper installation, or improper service has damaged the Product.

BAJARACK SHALL NOT BE LIABLE FOR ANY DIRECT, INDIRECT, CONSEQUENTIAL, INCIDENTAL, SPECIAL, EXEMPLARY, OR PUNITIVE DAMAGES OR FOR ANY OTHER DAMAGES OF ANY KIND OR NATURE [NO PERIOD.] (INCLUDING, BUT NOT LIMITED TO, LOST PROFITS, DOWN TIME OR LOSS OF USE) UNDER ANY LEGAL THEORY, EVEN IF BAJARACK WAS ADVISED OF THE POSSIBILITY OF SUCH DAMAGES. BAJARACK'S SOLE LIABILITY IS LIMITED TO THE REMEDY SET FORTH ABOVE.

BajaRack reserves the right to change Product design without notice.



WATER CAN HOLDER

FOR TWO 5 GAL CANS.

FOR STANDARD BASKET, FM (FULL MESH),
EXPEDITION AND UTILITY/FLAT RACKS

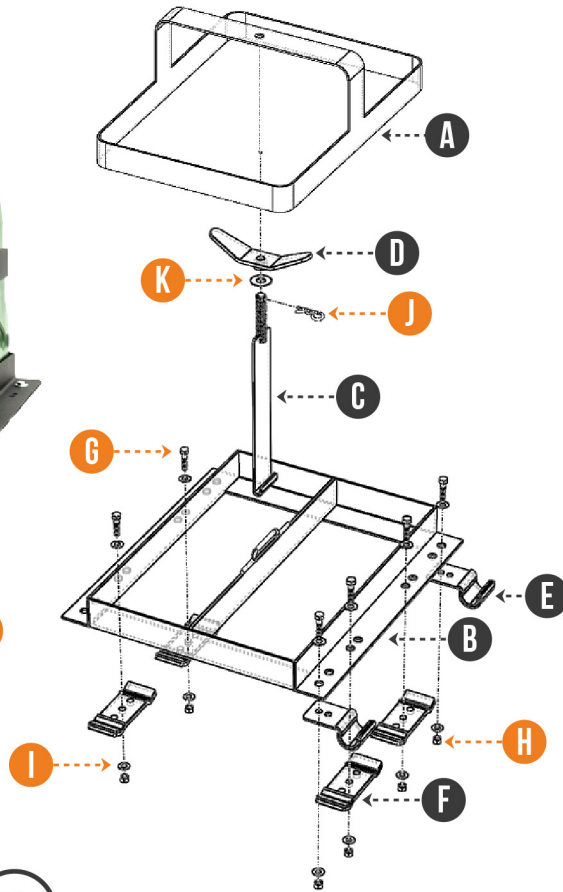


Water can holder

RACK COMPONENTS



Exploded view for Water can holder mount



- A) Lid (1x)
- B) Can holder base (1x)
- C) J- bolt Divider (1x)
- D) Wing Nut (1x)
- E) Clamps (2x)
- F) Tent plates (4x)

What's in the box

- G) 5/16"-18 x 1" 1/4 Hex Cap Screw Zinc Finish (6x)
- H) 5/16"-18 Nylon Insert Lock Nut Zinc Finish (6x)
- I) 5/16" - 3/4" OD Flat Washer Zinc Finish (12x)
- J) 1/8" x 1" 15/16 Hairpin Cotter Zinc Plated (1x)
- K) 1/2"x 1"3/8 Flat Washer Zinc Finish (1x)
- L) Grease, for use with all bolts with lock nuts (1x)

Recommended Tools

- 1/2" wrench for installation
- 1/2" ratchet tool for support

Tips and recommendations (please read)

- Place the base evenly across the rack. It is recommended use a padlock with the Divider to prevent stolen holders or water cans

INSTALLATION STEPS

- 1 Place the Can Holder Base (B) in a corner spot within your Bajarack. If the rack has mesh floor, the base can be placed anywhere (no need for clamps).



Rack with mesh



Rack without mesh

- 2 Place clamps (E) underneath the rack tubing and insert the bolts (G), washers (I) and nuts (H). Please see image. Use two 1/2" wrenches (a ratchet tool would help) to tighten.

Note: Apply grease (L) to bolt threads before adding nuts and tightening.



Note: Apply grease (L) to bolt threads before adding nuts and tightening.

- 3 Place tent plates (F) below Can Holder Base (B) and insert bolts (G), washers (I) and nuts (H). Use two 1/2" wrenches (a ratchet tool would help) to tighten, please see above photo.



INSTALLATION STEPS

- 4 See images below for Can Holder Base (B) top installation with clamps (E) and tent plates (F). Hook the J-bolt divider (C) into the loop in the center of the base, then place the fuel cans (cap up).



- 5 Place lid (A) on top of the fuel cans and insert washer (K) onto J-bolt divider and tighten wing handle (D) to the lid (A), already in place. Finally insert cotter pin (J) in hole at top of Divider.



Note: Remember to apply grease (L) to Divider (C) threads prior to attaching wing handle (D)



ENJOY
— YOUR NEW —
WATER CAN HOLDER
ACCESSORY!



TECHNICAL SPECIFICATIONS

WATER CAN HOLDER

BR-WCH2-0

For Two 5 Gal Cans. For Standard Basket, FM (Full Mesh), Expedition and Utility / Flat Racks



Suitable for can dimensions: 13.75" (349 mm) x 6.75" (171 mm) x 18.75" (476 mm).

Compatible Fuel/Water cans: Scepter

Finish: Epoxy primer with black powder coating.