

# BAJARACK WARRANTY



This Limited Warranty covers BajaRack products and all accessories for a period of 2 years from the date of purchase to the original owner of the product and does not apply once the equipment is sold or transferred to another person.

This Warranty does not cover the cost of removal of reinstallation or the product. BajaRack warrants (subject to conditions listed in this warranty) all products to be free of manufacturing defects in materials and workmanship.

## Warranty claim requirements

The claim has to be submitted during the warranty period at the place of purchase or directly at our corporate office located:



**BajaRack Adventure Equipment**  
2275 Michael Faraday Drive, Suite 6  
San Diego, CA 92154 USA  
Phone Number: 760-621-0171

On your product you will find a label with a serial number. If you remove this label, please save the serial number in a safe place. You will need it if you want to make a warranty claim in the future. Any cost incurred to transport the defective product "to and from" will be the customer's responsibility.



## Warranty resolution

Subject to BajaRack inspection of the product, the company will remedy defects in materials and/or workmanship by repairing or replacing, at BajaRack's option, the defective product without charge for parts or labor, subject to the limitations and exclusions described in this warranty. BajaRack may elect, at its option, not to repair or replace a defective product, in which case BajaRack will issue to the original retail purchaser, at BajaRack's option, either a full refund equal to the purchase price paid for the product, or a credit to be used toward the purchase of new BajaRack products or accessories.

## Limitations of Liability

BajaRack is not liable for damage caused by shipping or transport of BajaRack products. It is the responsibility of the original retail purchaser to inspect all products prior to acceptance and to notify the shipping carrier in a timely manner so that any claim for damages can be made. If timely notification to the shipping carrier by the original retail purchaser is not made regarding damage caused during the transport of the product, a claim for damages may not be possible, and all liability falls to the original retail purchaser. This warranty does not apply if accident, abuse, misuse, collision, overloading, modification, misapplication, improper installation, or improper service has damaged the Product.

BAJARACK SHALL NOT BE LIABLE FOR ANY DIRECT, INDIRECT, CONSEQUENTIAL, INCIDENTAL, SPECIAL, EXEMPLARY, OR PUNITIVE DAMAGES OR FOR ANY OTHER DAMAGES OF ANY KIND OR NATURE [NO PERIOD.] (INCLUDING, BUT NOT LIMITED TO, LOST PROFITS, DOWN TIME OR LOSS OF USE) UNDER ANY LEGAL THEORY, EVEN IF BAJARACK WAS ADVISED OF THE POSSIBILITY OF SUCH DAMAGES. BAJARACK'S SOLE LIABILITY IS LIMITED TO THE REMEDY SET FORTH ABOVE.

BajaRack reserves the right to change Product design without notice.

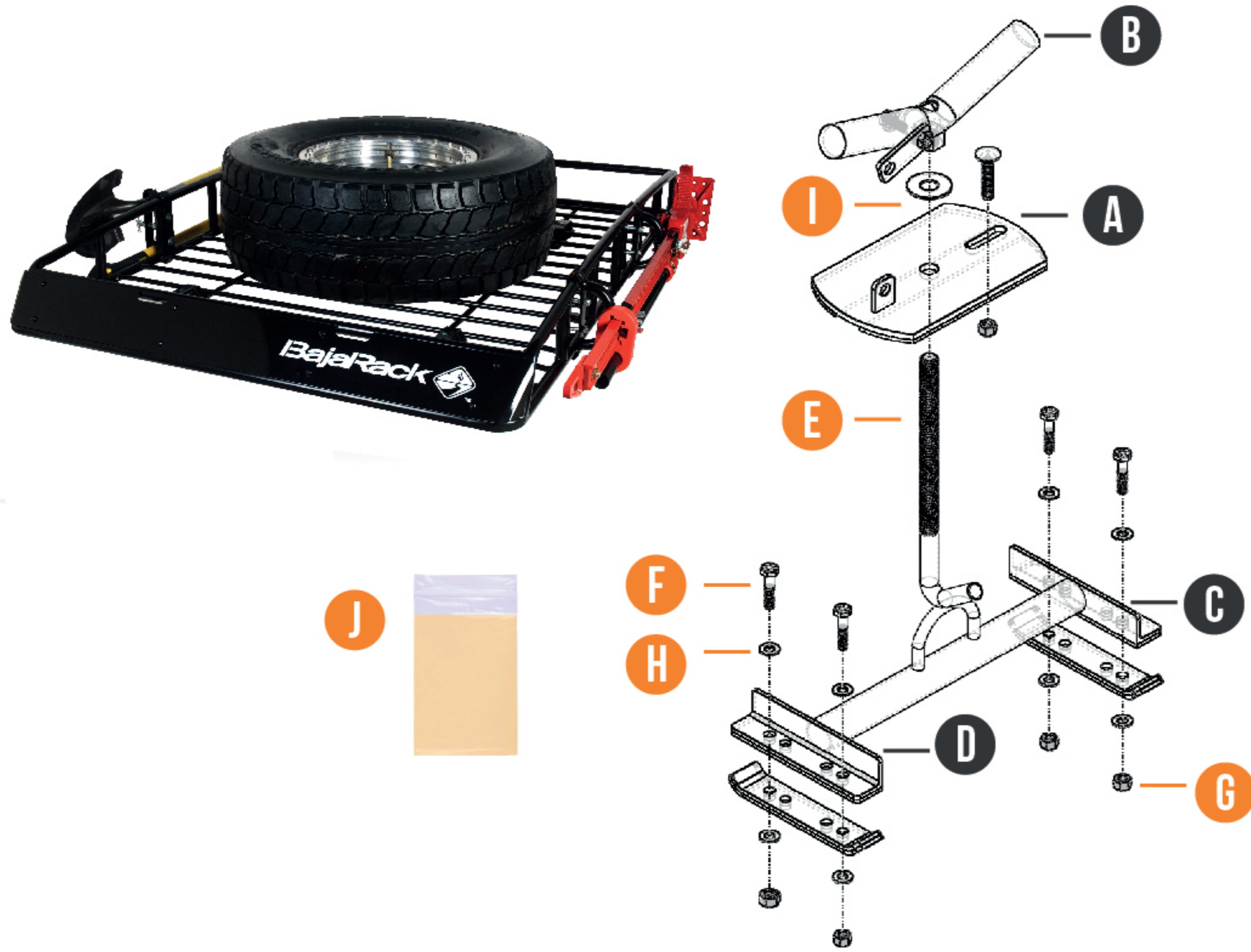


## TIRE MOUNT

METAL BRACKETS FOR  
MOUNTING SPARE TIRE



# RACK COMPONENTS



- A) Mounting plate (1x)
- B) Wing nut (1x)
- C) Tire mount base (1x)
- D) Plates (1x)
- E) Hook (2x)

## What's in the box

- F) 1/4" x 1/4" Hex Cap Screw Zinc Finish (4x)
- G) 1/4" Nylon Insert Lock Nut Zinc Finish (4x)
- H) 3/16" OD Flat Washer Zinc Finish (8x)
- I) 1/2" OD Flat Washer Zinc Finish (1x)
- J) Grease, for use with all bolts with lock nuts (1x)

## Recommended Tools

- 7/16" wrench for installation
- 7/16" ratchet tool for support

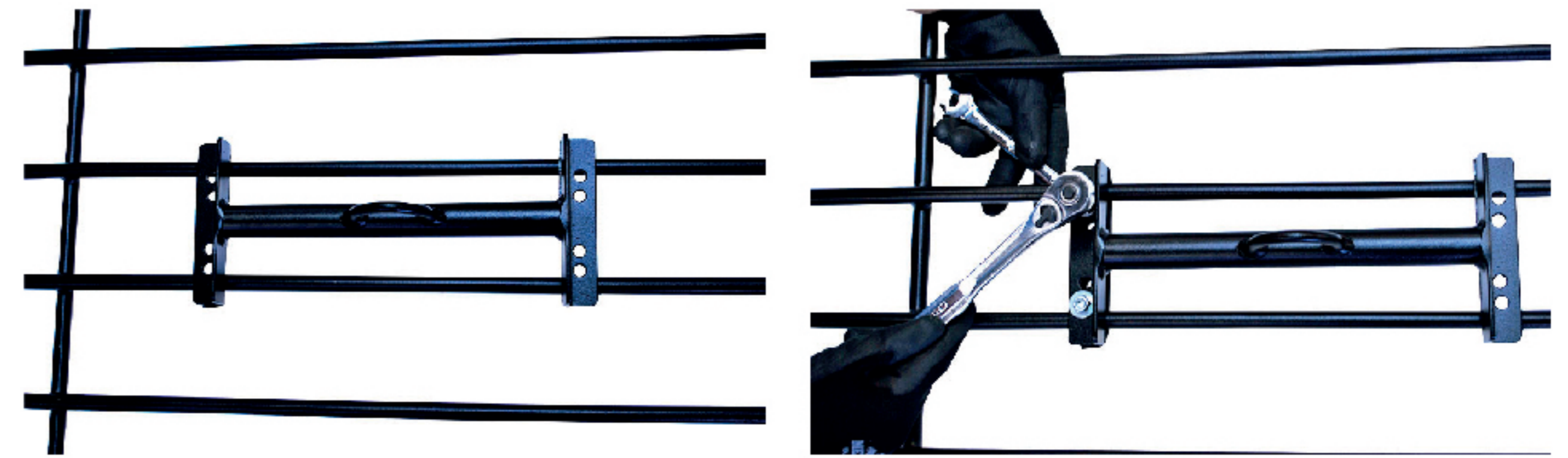
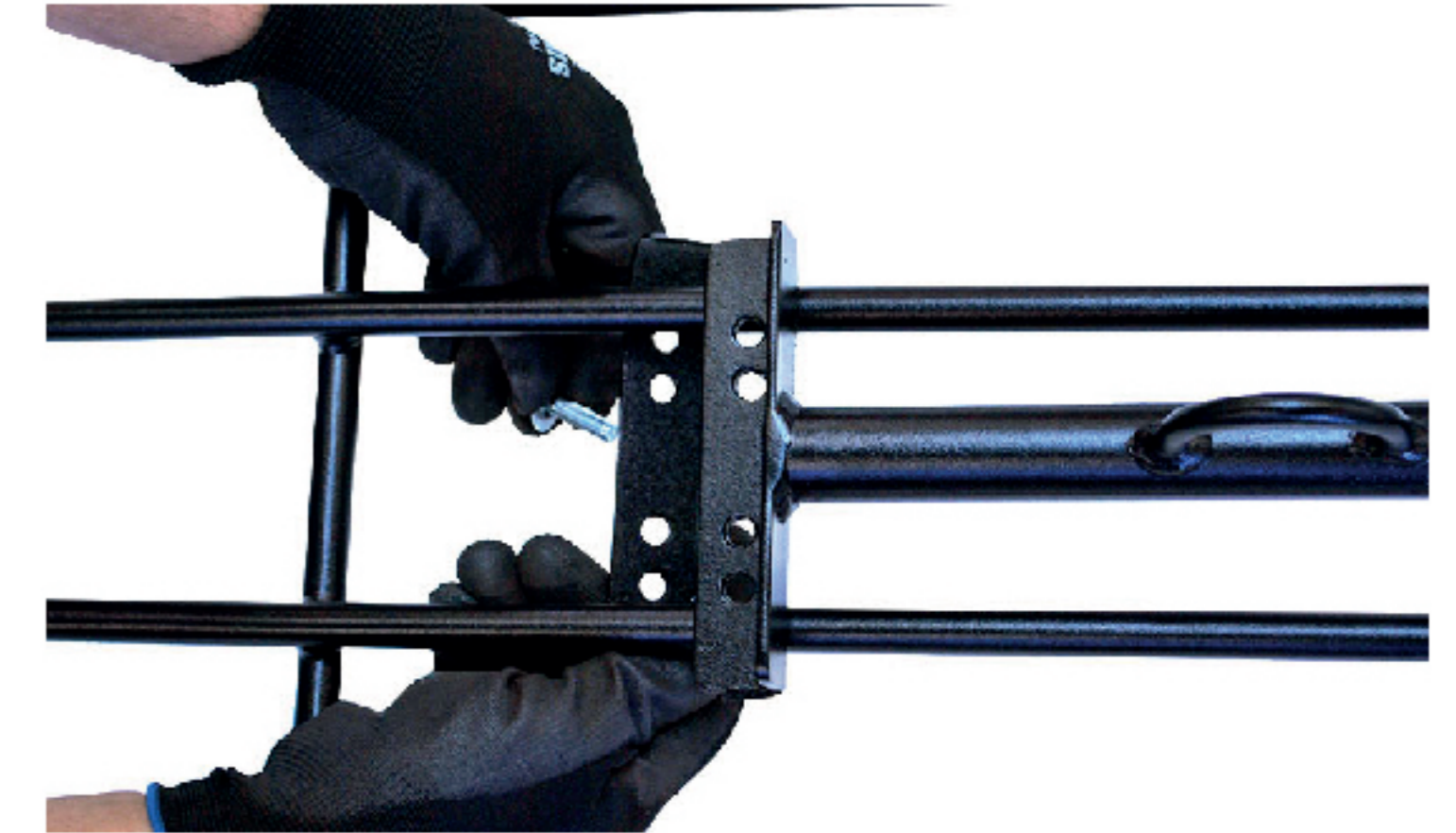
## Tips and recommendations (please read)

- Place your Tire Mount evenly centering in your Bajarack.
- Place the tire with the help of a friend.

# INSTALLATION STEPS

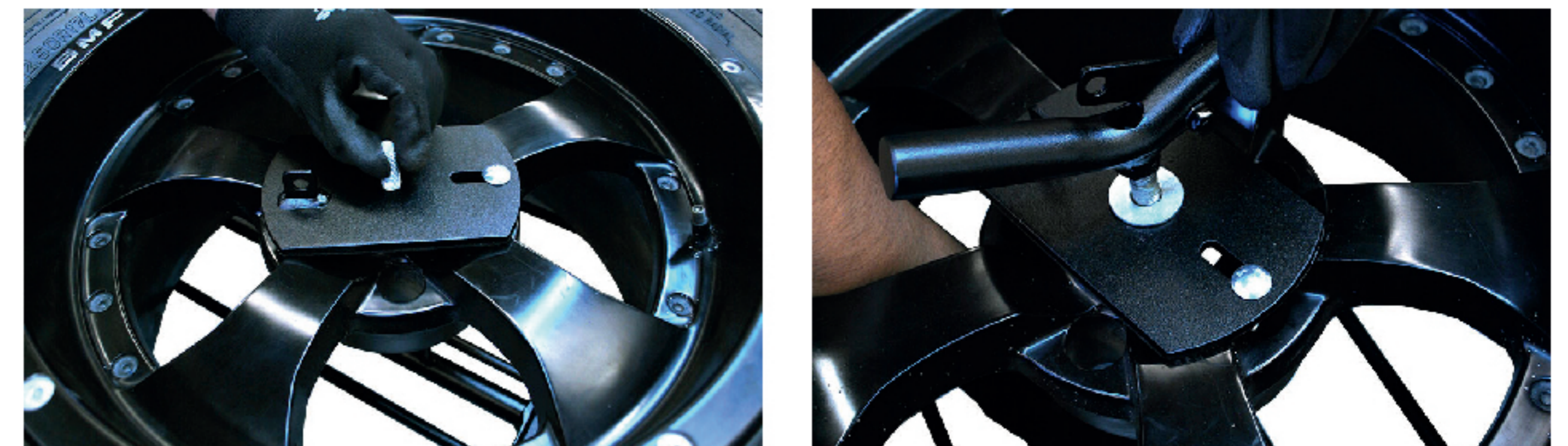
**1** First, place the tire mount base (C) in a center slot within your rack and place plates (D) underneath the rack tubing and inserting the bolts (F), washers (H) and nuts (G) as shown on image above, tighten the bolts and nuts using a 7/16" wrench and a ratchet tool.

Note: Please add some grease (J) before tightening bolt and nuts.



**2** Once the tire is mounted on top of the rack, slide-through the threaded rod with the hook (E) facing down. Hook the threaded rod to the base of the tire mount (C). Place the mounting plate (A) on top of the rim with the index bolt facing downward and inserting washer (I) and wing nut (B) on top of the threaded rod.

Note: Please add some grease (J) over threaded of hook



## INSTALLATION STEPS

- 3 Screw the wing nut (B) all the way down until it bumps with the mounting plate (a) already in place. Be sure that holes of mounting plate and wing nut are aligned, once align the holes insert the padlock (padlock is not included).



**ENJOY**  
— YOUR NEW —  
**TIRE MOUNT**  
ACCESSORY!

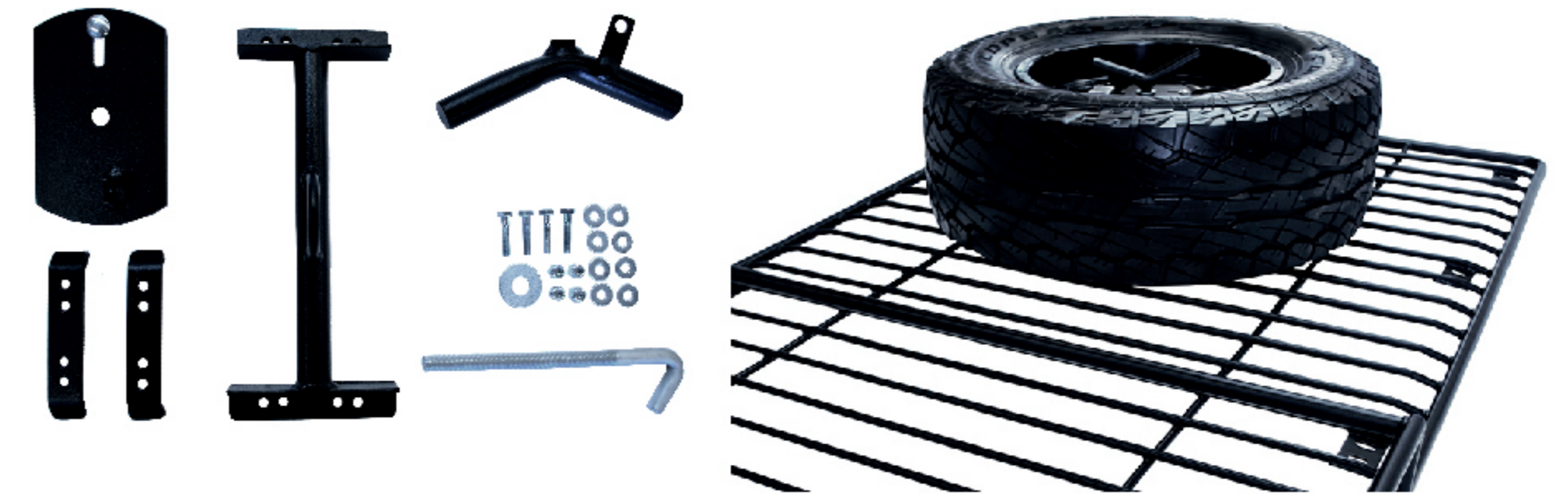


## TECHNICAL SPECIFICATIONS

### TIRE MOUNT

BR-STIRE-0

Metal brackets for mounting Spare Tire



**Material and Thickness:** 1/8 Inch (3.175 mm) steel and 1 Inch (25.4 mm) tube.

**Finish:** Epoxy primer (rust barrier) with black powder coating

**Mounting Method:** This mount installs on the floor of the rack.