

BAJARACK WARRANTY

This Limited Warranty covers BajaRack products and all accessories for a period of 2 years from the date of purchase to the original owner of the product and does not apply once the equipment is sold or transferred to another person.

This Warranty does not cover the cost of removal of reinstallation or the product. BajaRack warrants (subject to conditions listed in this warranty) all products to be free of manufacturing defects in materials and workmanship.

Warranty claim requirements

The claim has to be submitted during the warranty period at the place of purchase or directly at our corporate office located:



BajaRack Adventure Equipment
2275 Michael Faraday Drive, Suite 6
San Diego, CA 92154 USA
Phone Number: 760-621-0171

On your product you will find a label with a serial number. If you remove this label, please save the serial number in a safe place. You will need it if you want to make a warranty claim in the future. Any cost incurred to transport the defective product "to and from" will be the customer's responsibility.



Warranty resolution

Subject to BajaRack inspection of the product, the company will remedy defects in materials and/or workmanship by repairing or replacing, at BajaRack's option, the defective product without charge for parts or labor, subject to the limitations and exclusions described in this warranty. BajaRack may elect, at its option, not to repair or replace a defective product, in which case BajaRack will issue to the original retail purchaser, at BajaRack's option, either a full refund equal to the purchase price paid for the product, or a credit to be used toward the purchase of new BajaRack products or accessories.

Limitations of Liability

BajaRack is not liable for damage caused by shipping or transport of BajaRack products. It is the responsibility of the original retail purchaser to inspect all products prior to acceptance and to notify the shipping carrier in a timely manner so that any claim for damages can be made. If timely notification to the shipping carrier by the original retail purchaser is not made regarding damage caused during the transport of the product, a claim for damages may not be possible, and all liability falls to the original retail purchaser. This warranty does not apply if accident, abuse, misuse, collision, overloading, modification, misapplication, improper installation, or improper service has damaged the Product.

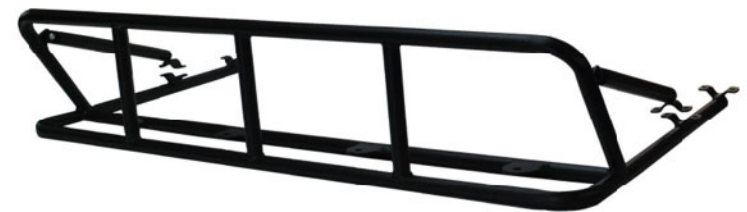
BAJARACK SHALL NOT BE LIABLE FOR ANY DIRECT, INDIRECT, CONSEQUENTIAL, INCIDENTAL, SPECIAL, EXEMPLARY, OR PUNITIVE DAMAGES OR FOR ANY OTHER DAMAGES OF ANY KIND OR NATURE [NO PERIOD.] (INCLUDING, BUT NOT LIMITED TO, LOST PROFITS, DOWN TIME OR LOSS OF USE) UNDER ANY LEGAL THEORY, EVEN IF BAJARACK WAS ADVISED OF THE POSSIBILITY OF SUCH DAMAGES. BAJARACK'S SOLE LIABILITY IS LIMITED TO THE REMEDY SET FORTH ABOVE.

BajaRack reserves the right to change Product design without notice.



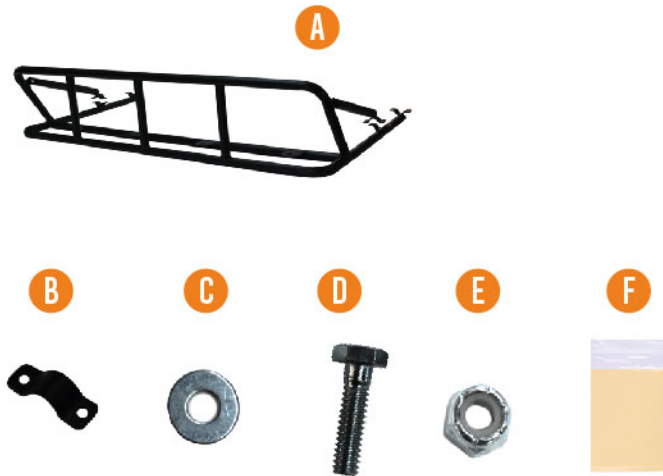
LIGHT BAR MOUNT

FOR 7" & 10" LIGHTS



Light bar mount for 7" and 10" lights

RACK COMPONENTS



What's in the box

A) Light bar (1x)

B) Loose half clamp (6x)
 C) Bolts 1/4"x 1" (12x)
 D) Washers 3/16" (24x)
 E) Nylon Lock Nut 1/4" (12x)
 F) Grease, for use with all bolts with Lock Nuts (1x)

Recommended Tools

- 7/16" wrench
- 7/16" ratchet tool for support

Tips and recommendations

(please read)

- It is recommended to place the lightbar mount accessory with the help of a friend.

INSTALLATION STEPS

- 1 First slide the light bar through the bottom of the siderail of your rack, guiding it with the pre-soldered half-clamps



- 2 By using the loose half clamps & hardware, you can close the clamp by tighten the bolt (C) & nuts (E) with a wrench or ratchet tool.

Please, remember add grease (F) over bolts before tighten with nuts. Don't forget add washer (D) between bolts and nuts.



- 3 Once you have secure your Light bar to the Bajarack on both sides, you can wiggle the upper toggle support and rest it on the top tube of the side rail, with the help of the pre-soldered half clamp.



INSTALLATION STEPS

- 4 Finally you can secure the upper toggle support the loose half clamps and hardware supplied in the box, by using a wrench.



ENJOY
— YOUR NEW —
LIGHTBAR MOUNT
ACCESSORY!



TECHNICAL SPECIFICATIONS

LIGHT BAR MOUNT

BR-LIGHTBAR-0

For 7" and 10" Lights



Material and Thickness: 3/16 Inch (4.7 mm) and 1/4 Inch (6.35 mm) steel.

Finish: Epoxy primer (rust barrier) with black powder coating

Mounting Method: Clamps install directly on the rack side rails. (No drilling required)