

BAJARACK WARRANTY



This Limited Warranty covers BajaRack products and all accessories for a period of 2 years from the date of purchase to the original owner of the product and does not apply once the equipment is sold or transferred to another person.

This Warranty does not cover the cost of removal of reinstallation or the product. BajaRack warrants (subject to conditions listed in this warranty) all products to be free of manufacturing defects in materials and workmanship.

Warranty claim requirements

The claim has to be submitted during the warranty period at the place of purchase or directly at our corporate office located:



BajaRack Adventure Equipment
2275 Michael Faraday Drive, Suite 6
San Diego, CA 92154 USA
Phone Number: 760-621-0171

On your product you will find a label with a serial number. If you remove this label, please save the serial number in a safe place. You will need it if you want to make a warranty claim in the future. Any cost incurred to transport the defective product "to and from" will be the customer's responsibility.



Warranty resolution

Subject to BajaRack inspection of the product, the company will remedy defects in materials and/or workmanship by repairing or replacing, at BajaRack's option, the defective product without charge for parts or labor, subject to the limitations and exclusions described in this warranty. BajaRack may elect, at its option, not to repair or replace a defective product, in which case BajaRack will issue to the original retail purchaser, at BajaRack's option, either a full refund equal to the purchase price paid for the product, or a credit to be used toward the purchase of new BajaRack products or accessories.

Limitations of Liability

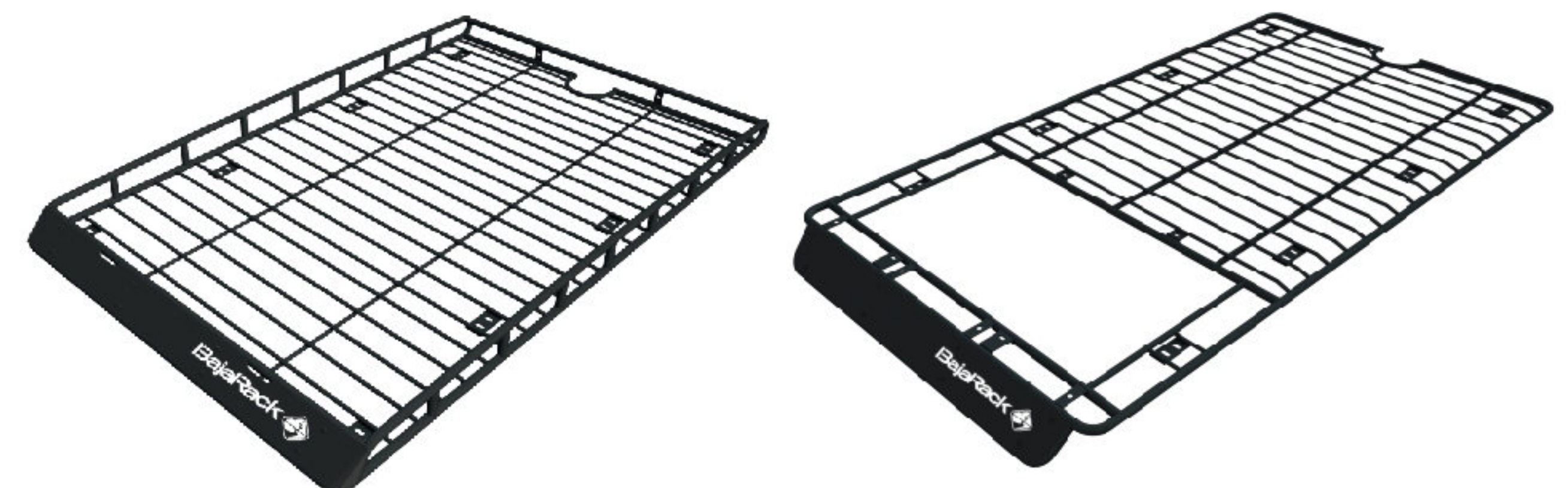
BajaRack is not liable for damage caused by shipping or transport of BajaRack products. It is the responsibility of the original retail purchaser to inspect all products prior to acceptance and to notify the shipping carrier in a timely manner so that any claim for damages can be made. If timely notification to the shipping carrier by the original retail purchaser is not made regarding damage caused during the transport of the product, a claim for damages may not be possible, and all liability falls to the original retail purchaser. This warranty does not apply if accident, abuse, misuse, collision, overloading, modification, misapplication, improper installation, or improper service has damaged the Product.

BAJARACK SHALL NOT BE LIABLE FOR ANY DIRECT, INDIRECT, CONSEQUENTIAL, INCIDENTAL, SPECIAL, EXEMPLARY, OR PUNITIVE DAMAGES OR FOR ANY OTHER DAMAGES OF ANY KIND OR NATURE [NO PERIOD.] (INCLUDING, BUT NOT LIMITED TO, LOST PROFITS, DOWN TIME OR LOSS OF USE) UNDER ANY LEGAL THEORY, EVEN IF BAJARACK WAS ADVISED OF THE POSSIBILITY OF SUCH DAMAGES. BAJARACK'S SOLE LIABILITY IS LIMITED TO THE REMEDY SET FORTH ABOVE.

BajaRack reserves the right to change Product design without notice.

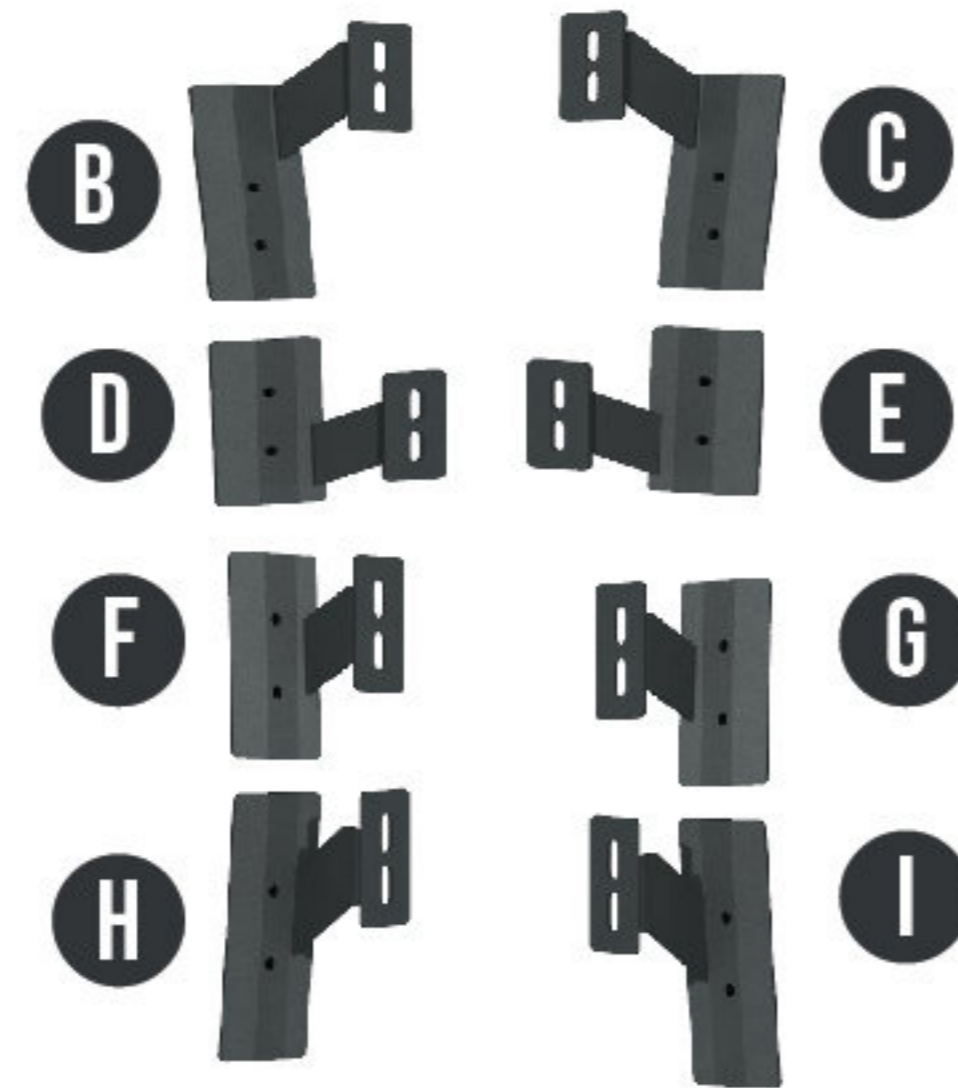
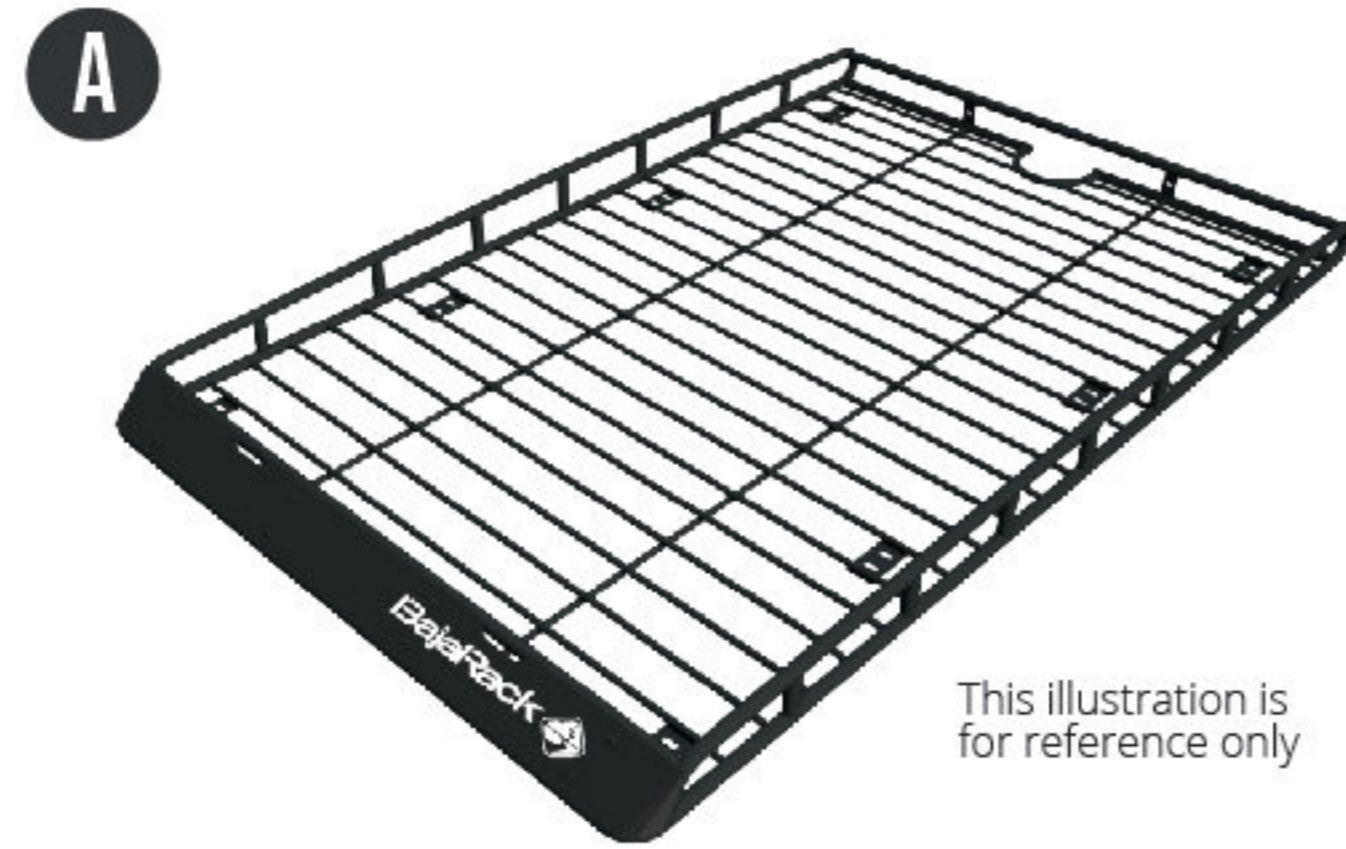


TOYOTA LAND CRUISER 200 (2008-2019) STANDARD & UTILITY RACKS



Toyota - Land Cruiser 200 Series

RACK COMPONENTS



- A) Rack (1x)
- B) AD bracket (1x)
- C) AP bracket (1x)
- D) BD bracket (1x)
- E) BP bracket (1x)
- F) CD bracket (1x)
- G) CP bracket (1x)
- H) DD bracket (1x)
- I) DP bracket (1x)

What's in the box

- J) 5/16"-18 x 3/4" Hex Cap Screw Stainless Steel (16x)
- K) 5/16"-18 Nylon Insert Lock Nut Stainless Steel (16x)
- L) 5/16" X0.75" OD Flat Washer Stainless Steel (48x)
- M) M8-1.25 x 50mm Hex Cap Screw Stainless Steel (16x)
- N) Grease, for use with all bolts with lock nuts (1x)

Recommended Tools

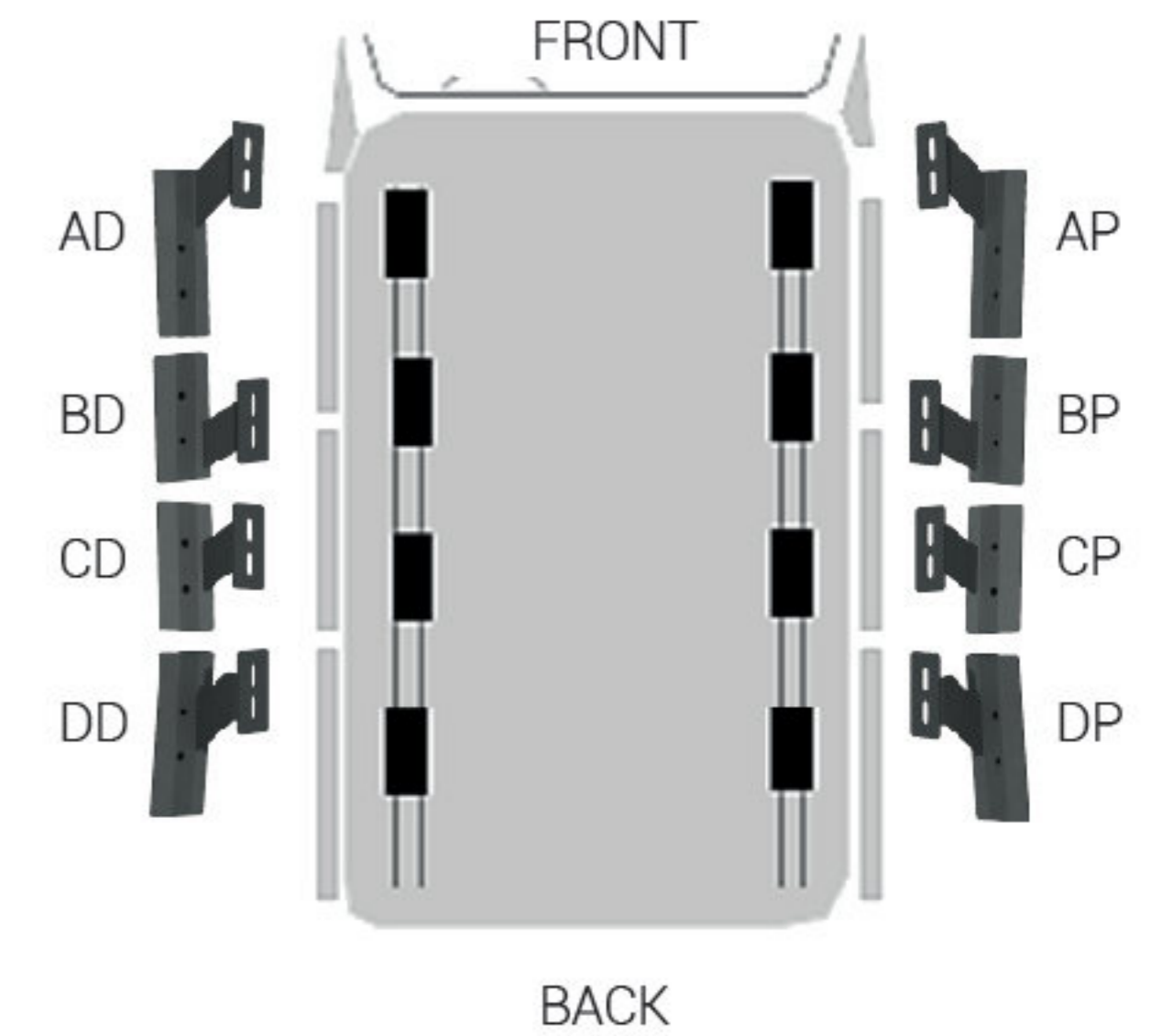
- 1/2" wrench for installation
- 1/2" ratchet tool for support
- 13mm wrench for roof bolts
- RTV Silicone sealant

Tips and recommendations (please read)

- Please Install the Rack with the help of a friend.
- The load limit of your rack is 300lb please do not exceed.
- Your Rack is an accessory; it is not protection for rollovers

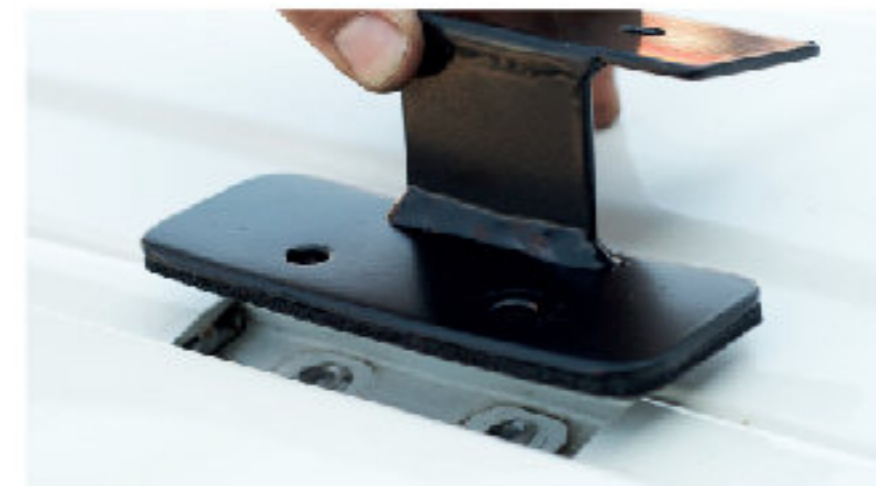
INSTALLATION STEPS

- 1 Identify all 8 roof brackets and place one by one on the roof of the vehicle, see next figure for the location of brackets. Once you have it in place, peel the label off.
- 2 To install all 8 brackets, you will need 16 washers (L), 16 bolts (M) and a ratchet tool with a 13mm socket ("metric" remember is a Japanese car) if you don't have 13mm try the 1/2".



Note: Be careful to loosen and tighten both bolts for each mounting point prior to completely removing or tightening them so as not to dislodge threaded inserts (under the roof). Do NOT to push down on bolts during loosening or tightening!

Do not tighten the roof bolts completely. You will need some play when aligning the roof brackets with the rack plates. Add some grease (N) on the threads of bolts before inserting on the thread



We highly recommend the use of RTV silicone sealant in the gap between the roof and the outside of the threaded insert tubes as well as to the roof bolt threads. This will help reduce any chance of water getting inside your vehicle. (Figure 2)

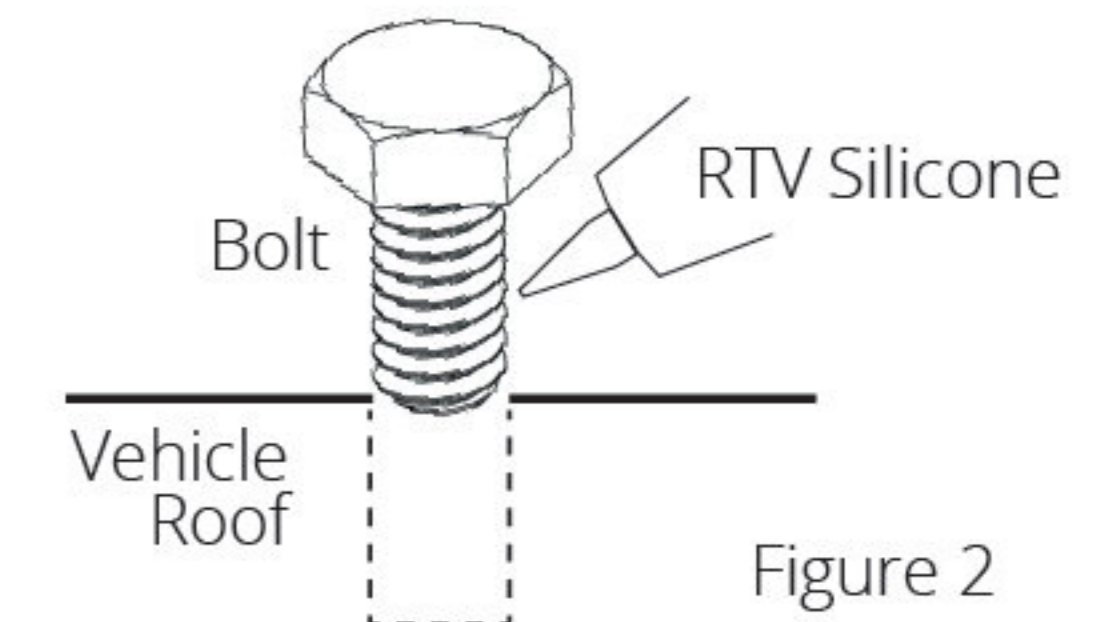


Figure 2

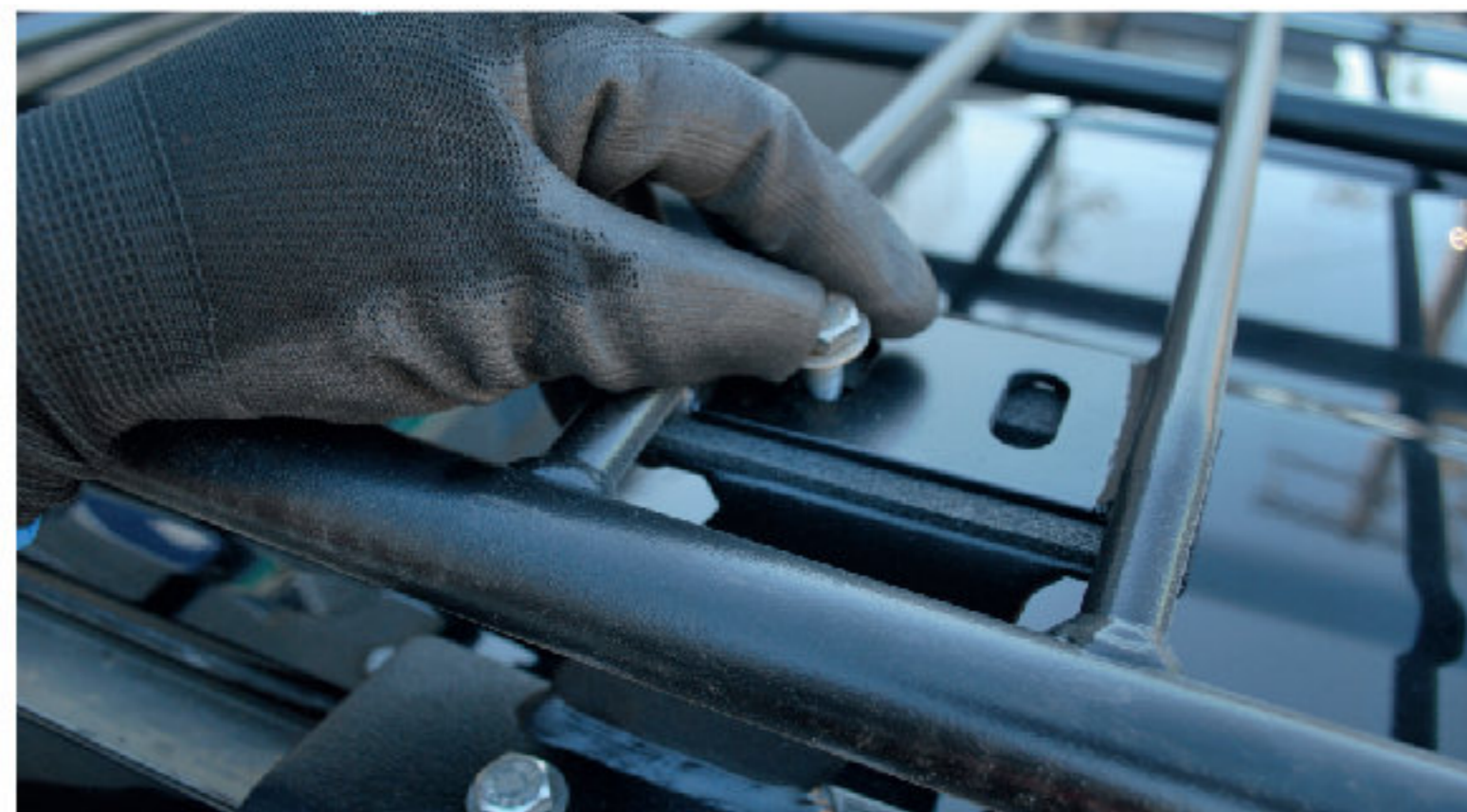
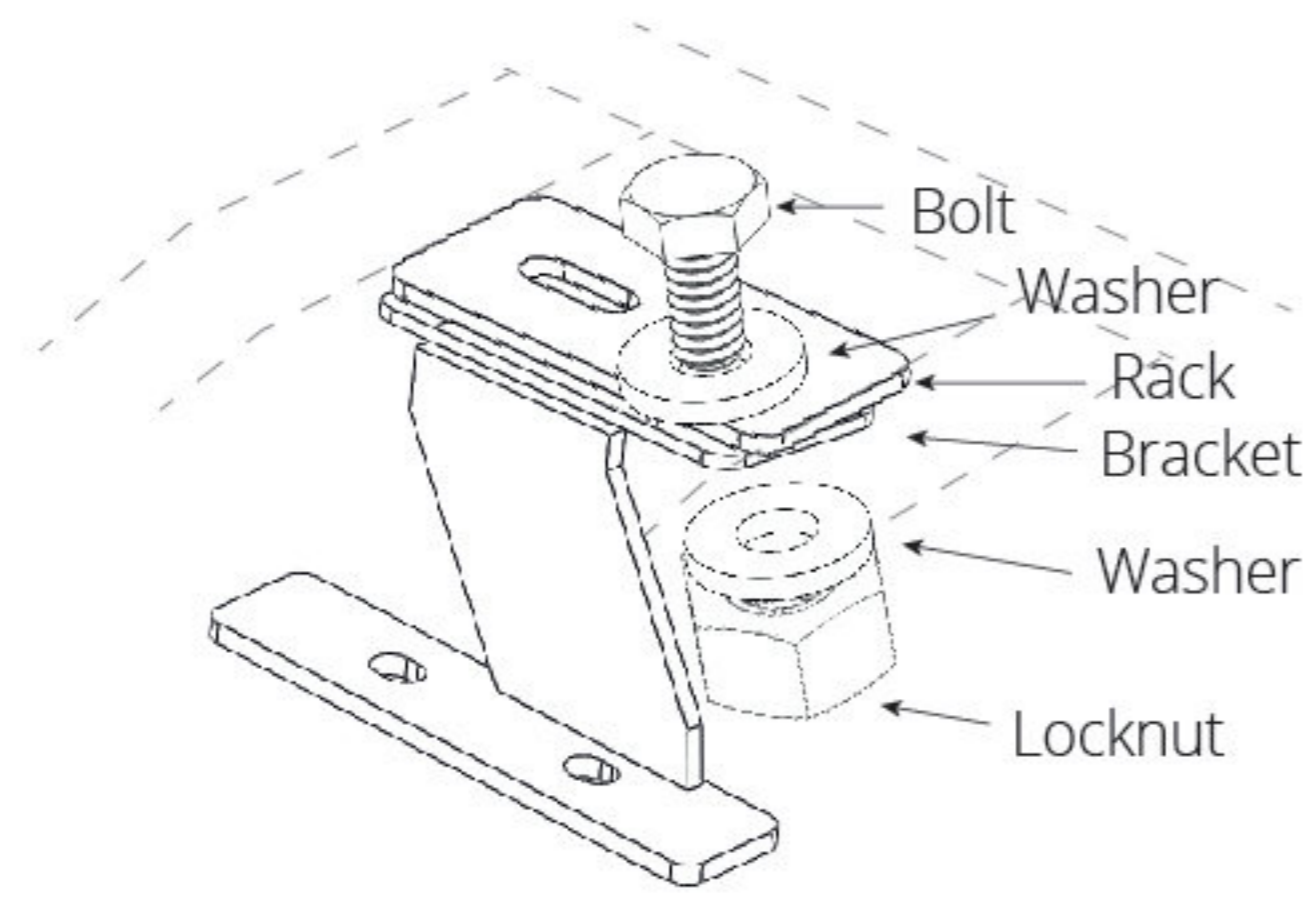


- 3 Once all 8 roof brackets are in place and secured, with the help of a friend place the rack (A) on top of the roof brackets and loosely align it according to the brackets.

INSTALLATION STEPS

- 4** Slide the bolts (J) thru washers (L) and rack slotted plates, and, below rack, add washers (L) and nylon locknuts (K). After all bolts are installed, tighten completely using a 13mm or 1/2" wrench or socket.

Note: To prevent seizing, add grease (N) to bolt threads before adding second washer and lock nut. Use grease **ONLY** on bolts with lock nuts.



- 5** Finally, tighten all roof bolts to the recommended torque 18.0 N-m (160 in-lb.) You can try 13mm or 1/2" wrench or socket.



ENJOY
— YOUR NEW —
BAJARACK
ROOF RACK!

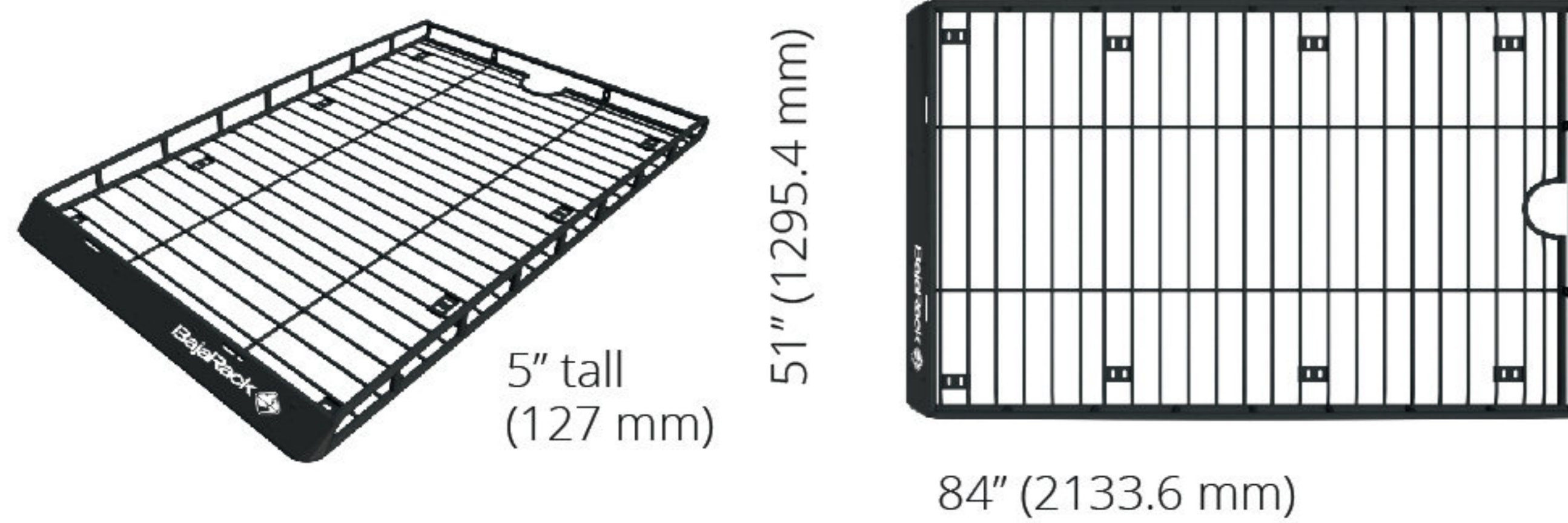


TECHNICAL SPECIFICATIONS

LAND CRUISER 200

BR-TYLC200-0

Standard Basket Rack



This Rack comes as one piece and includes all mounting brackets, stainless steel hardware, and aluminum wind deflector.

Material and Thickness: 1" (25.4mm) and 1/2" (12.7mm) Steel tubing

Wind Deflector: .062" (1.57mm) 5050-H32 Aluminum

Finish: Epoxy primer (rust inhibitor) with black powder coating

Rack weight: 85 Lb (38.55Kg)

Weight Capacity: 600 Lb (272 Kg) Static / 300 Lb (136 Kg) Dynamic

Measurements: 51" (1295.4mm) Wide x 84" (2133.6 mm) Long x 5" (127 mm) tall

Cargo area: 26.20 ft² (2.43 m²)

Mounting method: Roof mounts (8 total)

COMPATIBLE ACCESSORIES



Fuel Can Holder



Axe & Shovel mount for 5" height racks



Awming mount for 5" height racks



Awming mount for 5" height racks (3 pieces)



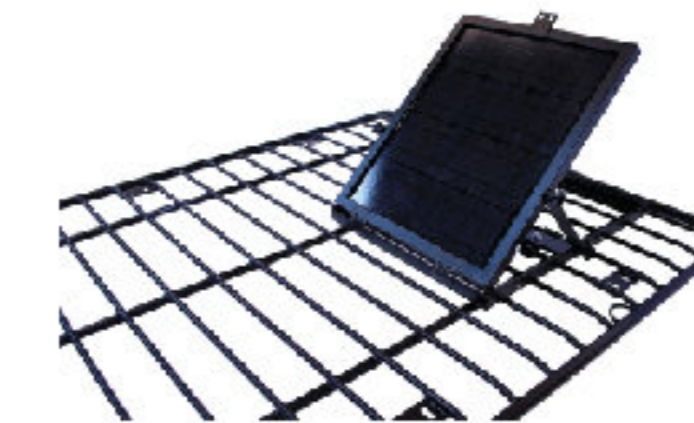
Hi-Lift mount for 5" height racks



Light Clamp mount



Maxtrax mount for 5" height racks



Solar panel mount



Tire mount



Water Can Holder



Yakima & Thule Accessory mount (2 pieces)



Yakima & Thule Accessory mount (4 pieces)



Tent Plates



Light Bar LED Mount for Toyota Land Cruiser 200