

BAJARACK WARRANTY



This Limited Warranty covers BajaRack products and all accessories for a period of 2 years from the date of purchase to the original owner of the product and does not apply once the equipment is sold or transferred to another person.

This Warranty does not cover the cost of removal of reinstallation or the product. BajaRack warrants (subject to conditions listed in this warranty) all products to be free of manufacturing defects in materials and workmanship.

Warranty claim requirements

The claim has to be submitted during the warranty period at the place of purchase or directly at our corporate office located:



BajaRack Adventure Equipment
2275 Michael Faraday Drive, Suite 6
San Diego, CA 92154 USA
Phone Number: 760-621-0171

On your product you will find a label with a serial number. If you remove this label, please save the serial number in a safe place. You will need it if you want to make a warranty claim in the future. Any cost incurred to transport the defective product "to and from" will be the customer's responsibility.



Warranty resolution

Subject to BajaRack inspection of the product, the company will remedy defects in materials and/or workmanship by repairing or replacing, at BajaRack's option, the defective product without charge for parts or labor, subject to the limitations and exclusions described in this warranty. BajaRack may elect, at its option, not to repair or replace a defective product, in which case BajaRack will issue to the original retail purchaser, at BajaRack's option, either a full refund equal to the purchase price paid for the product, or a credit to be used toward the purchase of new BajaRack products or accessories.

Limitations of Liability

BajaRack is not liable for damage caused by shipping or transport of BajaRack products. It is the responsibility of the original retail purchaser to inspect all products prior to acceptance and to notify the shipping carrier in a timely manner so that any claim for damages can be made. If timely notification to the shipping carrier by the original retail purchaser is not made regarding damage caused during the transport of the product, a claim for damages may not be possible, and all liability falls to the original retail purchaser. This warranty does not apply if accident, abuse, misuse, collision, overloading, modification, misapplication, improper installation, or improper service has damaged the Product.

BAJARACK SHALL NOT BE LIABLE FOR ANY DIRECT, INDIRECT, CONSEQUENTIAL, INCIDENTAL, SPECIAL, EXEMPLARY, OR PUNITIVE DAMAGES OR FOR ANY OTHER DAMAGES OF ANY KIND OR NATURE [NO PERIOD.] (INCLUDING, BUT NOT LIMITED TO, LOST PROFITS, DOWN TIME OR LOSS OF USE) UNDER ANY LEGAL THEORY, EVEN IF BAJARACK WAS ADVISED OF THE POSSIBILITY OF SUCH DAMAGES. BAJARACK'S SOLE LIABILITY IS LIMITED TO THE REMEDY SET FORTH ABOVE.

BajaRack reserves the right to change Product design without notice.



TOYOTA 4RUNNER GEN4

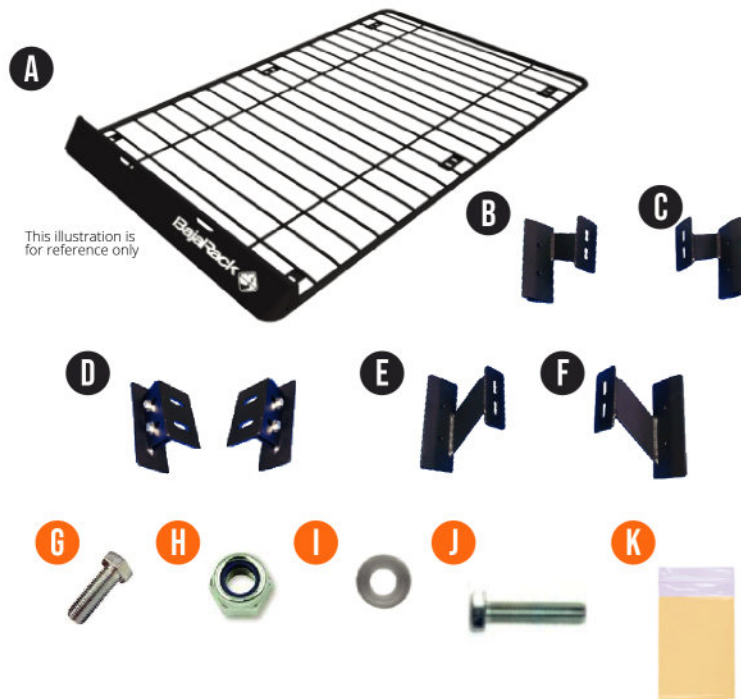
(2003-2009)

UTILITY MG RACKS



TY4RG4 Utility MG Series

RACK COMPONENTS



This illustration is for reference only

What's in the box

A) Rack	(1x)
B) A-L bracket	(1x)
C) A-R bracket	(1x)
D) MIDDLE bracket	(2x)
E) B-L bracket	(1x)
F) B-R bracket	(1x)

G) 5/16" x 3/4" Hex Cap Screw Stainless Steel	(16x)
H) 5/16" Nylon Insert Lock Nut Stainless Steel	(16x)
I) 5/16" X0.75" OD Flat Washer Stainless Steel	(40x)
J) M8 1.25 x 40mm Roof Bolts	(8x)
K) Grease, for use with all bolts with lock nuts	(1x)

Recommended Tools

- 1/2" wrench for installation
- 1/2" socket for ratchet tool
- 13mm wrench for roof bolts
- 13mm socket for ratchet tool
- 13mm or 1/2" socket for torquemeter
- RTV Silicone sealant

Tips and recommendations (please read)

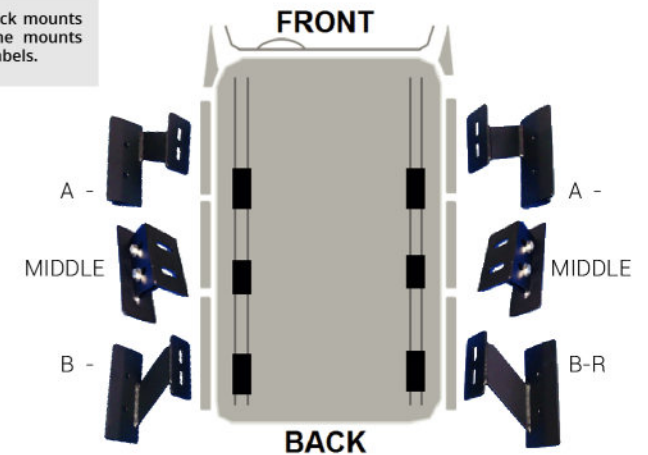
- Please Install the Rack with the help of a friend.
- The load limit of your rack is 300lb please do not exceed.
- Your Rack is an accessory; it is not protection for rollovers

INSTALLATION STEPS

- 1 Remove factory roof rack from your vehicle.



Note: Layout Bajarack mounts on your vehicle. The mounts are identified with labels.



- 2 Align the mount to the threaded holes of the vehicle roof by sliding a millimetric bolt (J) and washer (I).

Note: is recommended to apply RTVsilicon



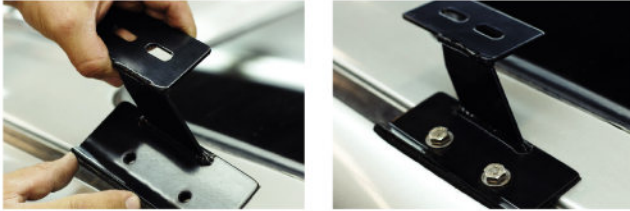
- 3 Tighten both bolts (J) using a 1/2" ratchet wrench. Don't forget to add the washer (I).

Note: Do not overtighten. Please use grease (K) before place bolts.



INSTALLATION STEPS

- 4 For the brackets on the front of the vehicle (B/C) repeat the same steps (1-2).



- 5 Make sure both bolts (J) are secure and fit to the vehicle.

- 6 For the middle brackets place below bajarack middle plate and insert bolts and washer in holes and add washer (I) and locknut (H) belows of bolts (G).

Note: If is necessary adjust middle brackets loosen bolts with 1/2" wrench or ratchet tool and then tighten bolts.



- 7 With the help of a person place the Bajarack on top of your vehicle and slide a 3/4" long bolt (G) thru the slotted plates.

Please use grease (K) before tightening bolts and nuts.
Note: Don't forget to slide the flat washers (I) and locknuts (H) on both sides of the bolt.



INSTALLATION STEPS

- 8 Tighten both bolts (G) and nylon locknuts (H) using a 1/2" ratchet wrench.
- 9 Make sure the bolts (G) and nylon locknuts (H) have been tighten using a 1/2" wrench.

Note: Do not overtighten.



ENJOY
— YOUR NEW —
BAJARACK
ROOF RACK!

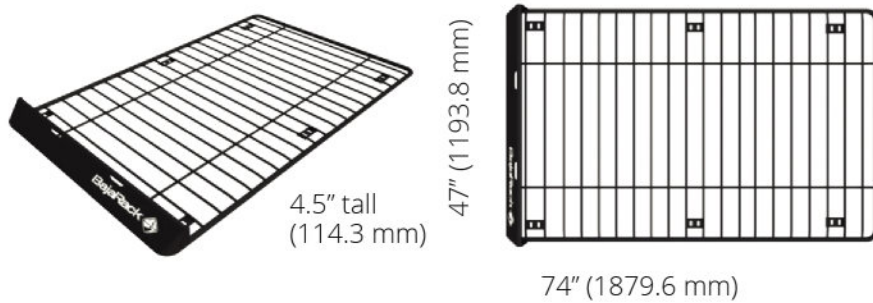


TECHNICAL SPECIFICATIONS

4RUNNER GEN4

BR-TY4RG4-MG-0

Standard Basket (Long) Rack



This Rack comes as one piece and includes all mounting brackets, stainless steel hardware, and aluminum wind deflector.

Material and Thickness: 1" (25.4mm), 1/2" (12.7mm) and 3/4" (19.05mm) Steel tubing

Wind Deflector: .062" (1.57mm) 5050-H32 Aluminum

Finish: Epoxy primer (rust inhibitor) with black powder coating

Rack weight: 71 Lb (32.2Kg)

Weight Capacity: 600 Lb (272 Kg) Static / 300 Lb (136 Kg) Dynamic

Measurements: 47" (1193.8 mm) Wide x 74"(1879.6 mm) Long x 4.5" (114.3 mm) tall

Cargo area: 23.33ft² (2.17m²)

Mounting method: Roof Mounts (6 total)

COMPATIBLE ACCESSORIES



Fuel Can Holder



Axe & Shovel mount for flat racks



Awning mount for flat racks (2 pieces)



Hi-Lift mount for flat racks



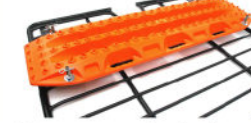
Light Clamp mount



Tent Plates



Maxtrax mount for flat racks



Maxtrax mount for the floor of tubing and mesh racks



Tire mount



Water Can Holder



Yakima & Thule Accessory mount (2 pieces)



Yakima & Thule Accessory mount (4 pieces)



Crossbars (Small)



Crossbars (Medium)