

BAJARACK WARRANTY



This Limited Warranty covers BajaRack products and all accessories for a period of 2 years from the date of purchase to the original owner of the product and does not apply once the equipment is sold or transferred to another person.

This Warranty does not cover the cost of removal of reinstallation or the product. BajaRack warrants (subject to conditions listed in this warranty) all products to be free of manufacturing defects in materials and workmanship.

Warranty claim requirements

The claim has to be submitted during the warranty period at the place of purchase or directly at our corporate office located:



BajaRack Adventure Equipment
2275 Michael Faraday Drive, Suite 6
San Diego, CA 92154 USA
Phone Number: 760-621-0171

On your product you will find a label with a serial number. If you remove this label, please save the serial number in a safe place. You will need it if you want to make a warranty claim in the future. Any cost incurred to transport the defective product "to and from" will be the customer's responsibility.



Warranty resolution

Subject to BajaRack inspection of the product, the company will remedy defects in materials and/or workmanship by repairing or replacing, at BajaRack's option, the defective product without charge for parts or labor, subject to the limitations and exclusions described in this warranty. BajaRack may elect, at its option, not to repair or replace a defective product, in which case BajaRack will issue to the original retail purchaser, at BajaRack's option, either a full refund equal to the purchase price paid for the product, or a credit to be used toward the purchase of new BajaRack products or accessories.

Limitations of Liability

BajaRack is not liable for damage caused by shipping or transport of BajaRack products. It is the responsibility of the original retail purchaser to inspect all products prior to acceptance and to notify the shipping carrier in a timely manner so that any claim for damages can be made. If timely notification to the shipping carrier by the original retail purchaser is not made regarding damage caused during the transport of the product, a claim for damages may not be possible, and all liability falls to the original retail purchaser. This warranty does not apply if accident, abuse, misuse, collision, overloading, modification, misapplication, improper installation, or improper service has damaged the Product.

BAJARACK SHALL NOT BE LIABLE FOR ANY DIRECT, INDIRECT, CONSEQUENTIAL, INCIDENTAL, SPECIAL, EXEMPLARY, OR PUNITIVE DAMAGES OR FOR ANY OTHER DAMAGES OF ANY KIND OR NATURE [NO PERIOD.] (INCLUDING, BUT NOT LIMITED TO, LOST PROFITS, DOWN TIME OR LOSS OF USE) UNDER ANY LEGAL THEORY, EVEN IF BAJARACK WAS ADVISED OF THE POSSIBILITY OF SUCH DAMAGES. BAJARACK'S SOLE LIABILITY IS LIMITED TO THE REMEDY SET FORTH ABOVE.

BajaRack reserves the right to change Product design without notice.



THE MULE & THE MEGAMULE

UNIVERSAL STANDARD BASKET RACKS



RACK COMPONENTS



This illustration is for reference only



What's in the box

A) Rack	(1x)	E) Knobs	(8x)
B) Bracket A	(4x)	F) Bolts	(8x)
C) Bracket B	(4x)	G) Screw	(4x)
D) Bracket C	(4x)	H) Grease, for use with all bolts with lock nuts	(1x)

Recommended Tools

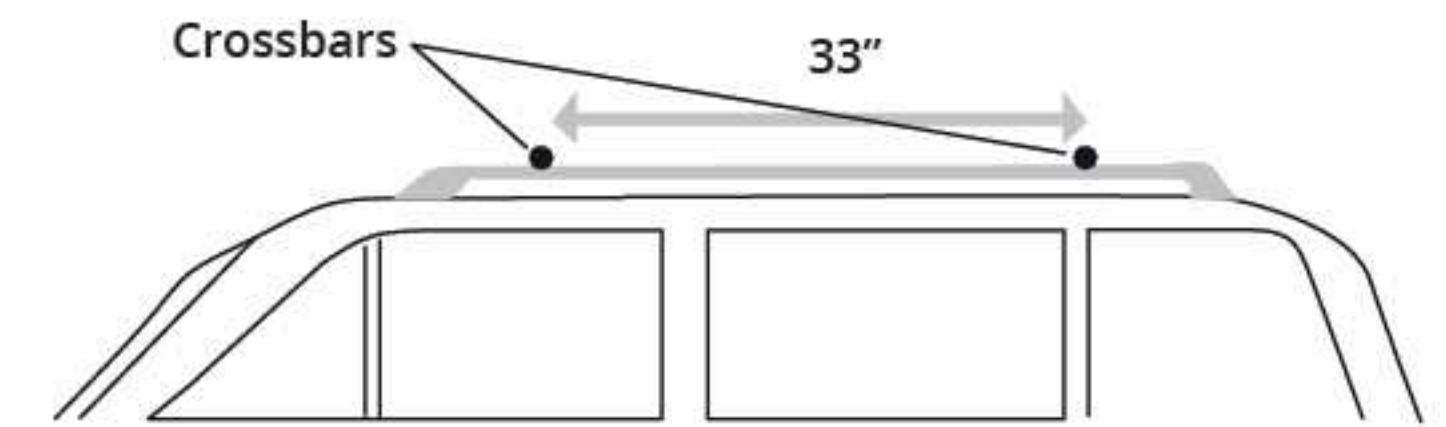
- Phillips screw driver
- 3/8 wrench

Tips and recommendations (please read)

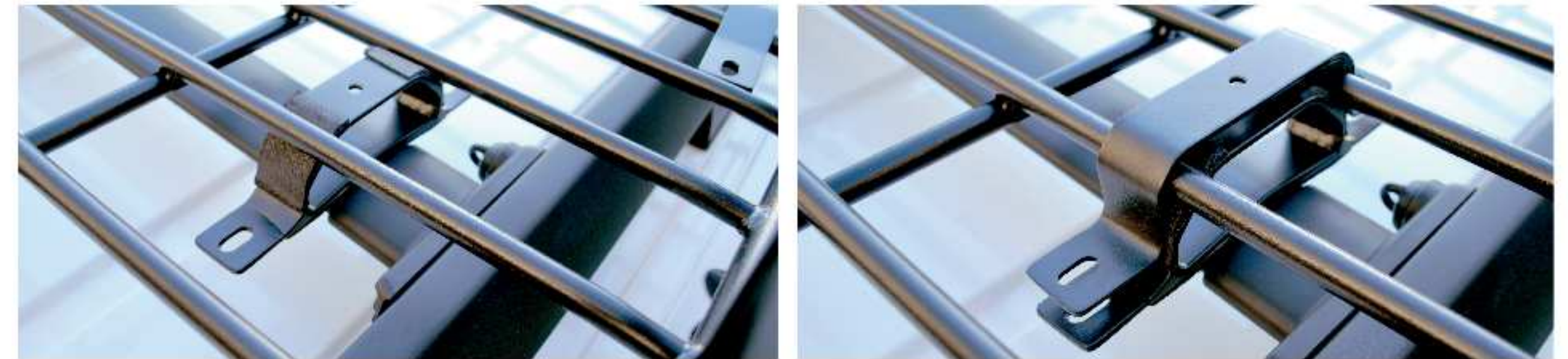
- Please Install the Rack with the help of a friend.
- The load limit of your rack is 130lb please do not exceed.
- Your Rack is an accessory; it is not protection for rollovers
- You can use some accessories from other brands like Yakima® or Thule®.

INSTALLATION STEPS

Note: The brackets are pre-install to facilitate the racks assembly on the roof of the vehicle.



- 1 Position bracket B between the crossbars and the rack
- 2 Once the bracket B has been place on top of the crossbars take bracket A and put it on the outside of the inner tubing.



- 3 Place part C underneath the crossbar and align it with bracket A & B. Take 2 screws and pass them thru the holes of part A, B and C. Take two knobs and place them on the screws and tighten them slightly.



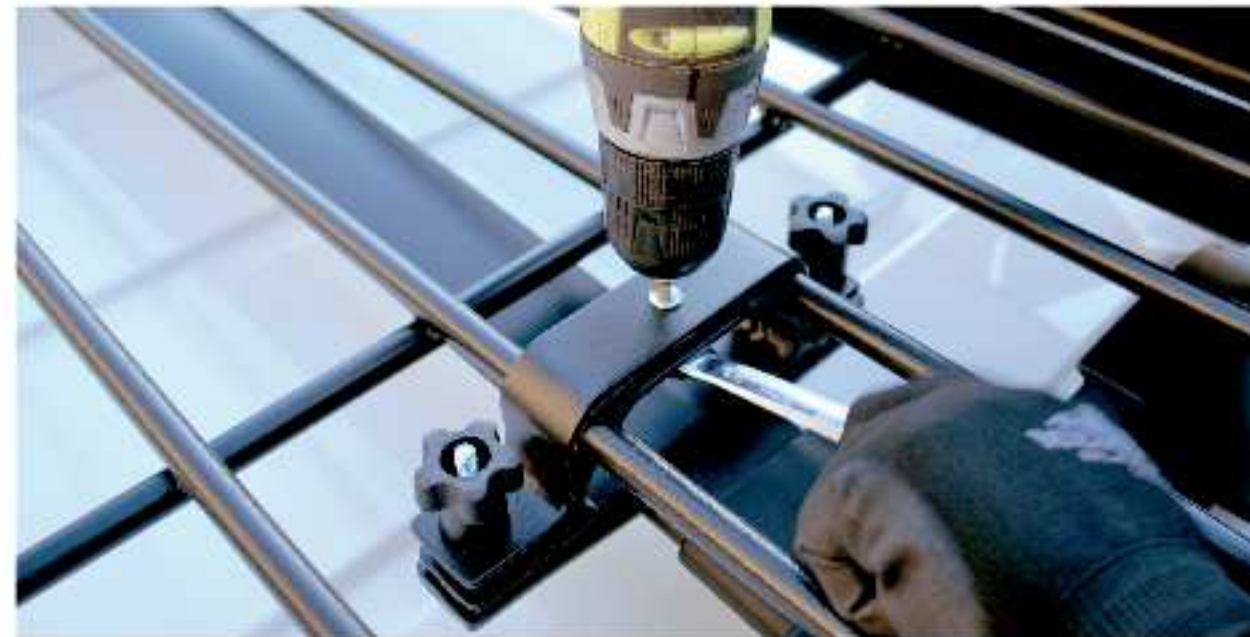
INSTALLATION STEPS

- 4 Insert the screw thru the middle hole in bracket A and B, once the screw has past both brackets assemble the nut.



- 5 Once all four brackets have been install, tighten the screw and nut with the Phillips screw driver and 3/8" wrench. Repeat the same process for the rest.

Note: Make sure all 4 assembled brackets are seated correctly before doing the final tightening of the knobs.



- 6 Finally push and pull side ways to see if your rack secure. The rack should not slide.



INSTALLATION STEPS



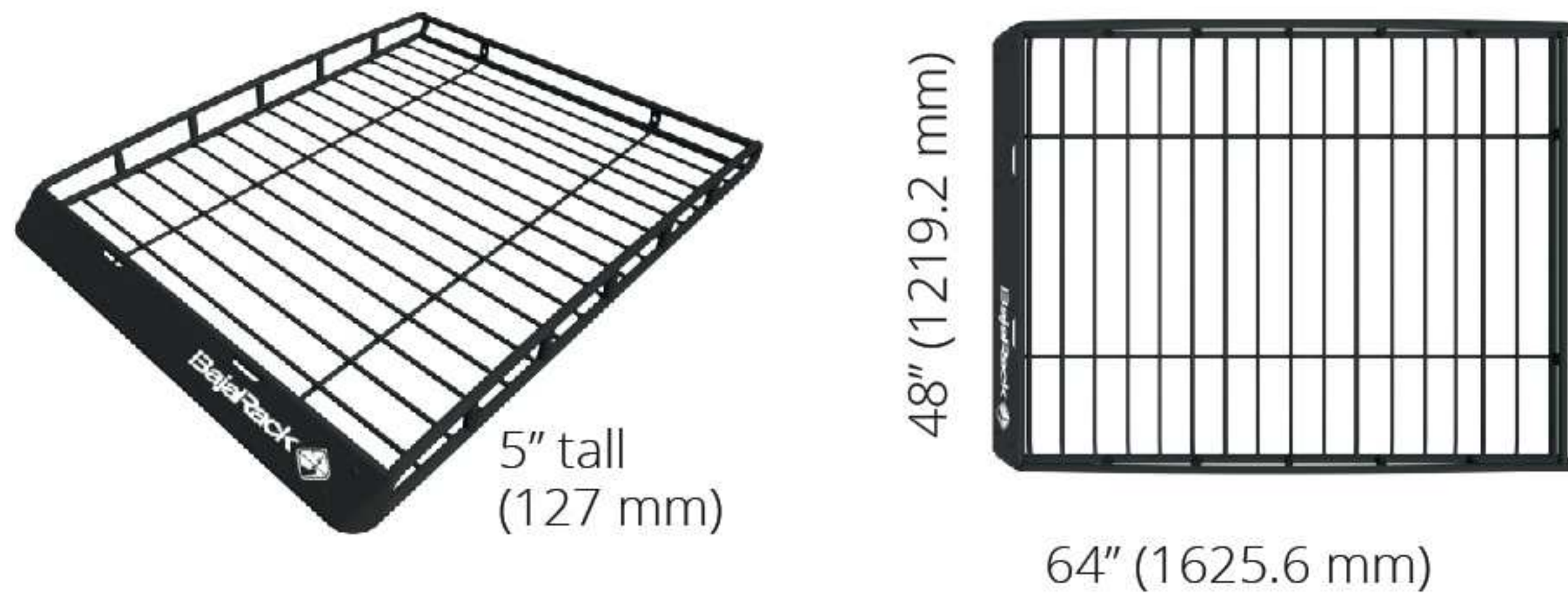
ENJOY
— YOUR NEW —
BAJARACK
ROOF RACK!



TECHNICAL SPECIFICATIONS

THE MEGAMULE

BR-MEGAMULE-0



This Rack comes as one piece and includes all mounting brackets, stainless steel hardware, and aluminum wind deflector.

Material and Thickness: 1" (25.4mm) and 1/2" (12.7mm)

US-made, cold-rolled, Steel tubing

Wind Deflector: .062" (1.57mm) 5050-H32 Aluminum

Finish: Epoxy primer (rust inhibitor) with black powder coating

Rack weight: 70 Lb (31.75 Kg)

Weight Capacity: 300 lb (136 kg) – depends on crossbar system

Measurements: 48" (1219.2 mm) Wide x 64" (1625.6 mm)

Long x 5" (127 mm) tall

Cargo area: 18.20 ft² (1.69 m²)

Mounting method: Mounting brackets (4 total)

COMPATIBLE ACCESSORIES



Fuel Can Holder



Axe & Shovel mount for 5" height racks



Awning mount for 5" height racks



Tent Plates



Hi-Lift mount for 5" height racks



Light Clamp mount



Maxtrax mount for 5" height racks



Solar panel mount



Tire mount



Water Can Holder



Yakima & Thule Accessory mount (2 pieces)



Yakima & Thule Accessory mount (4 pieces)