

BAJARACK WARRANTY



This Limited Warranty covers BajaRack products and all accessories for a period of 2 years from the date of purchase to the original owner of the product and does not apply once the equipment is sold or transferred to another person.

This Warranty does not cover the cost of removal of reinstallation or the product. BajaRack warrants (subject to conditions listed in this warranty) all products to be free of manufacturing defects in materials and workmanship.

Warranty claim requirements

The claim has to be submitted during the warranty period at the place of purchase or directly at our corporate office located:



BajaRack Adventure Equipment
2275 Michael Faraday Drive, Suite 6
San Diego, CA 92154 USA
Phone Number: 760-621-0171

On your product you will find a label with a serial number. If you remove this label, please save the serial number in a safe place. You will need it if you want to make a warranty claim in the future. Any cost incurred to transport the defective product "to and from" will be the customer's responsibility.



Warranty resolution

Subject to BajaRack inspection of the product, the company will remedy defects in materials and/or workmanship by repairing or replacing, at BajaRack's option, the defective product without charge for parts or labor, subject to the limitations and exclusions described in this warranty. BajaRack may elect, at its option, not to repair or replace a defective product, in which case BajaRack will issue to the original retail purchaser, at BajaRack's option, either a full refund equal to the purchase price paid for the product, or a credit to be used toward the purchase of new BajaRack products or accessories.

Limitations of Liability

BajaRack is not liable for damage caused by shipping or transport of BajaRack products. It is the responsibility of the original retail purchaser to inspect all products prior to acceptance and to notify the shipping carrier in a timely manner so that any claim for damages can be made. If timely notification to the shipping carrier by the original retail purchaser is not made regarding damage caused during the transport of the product, a claim for damages may not be possible, and all liability falls to the original retail purchaser. This warranty does not apply if accident, abuse, misuse, collision, overloading, modification, misapplication, improper installation, or improper service has damaged the Product.

BAJARACK SHALL NOT BE LIABLE FOR ANY DIRECT, INDIRECT, CONSEQUENTIAL, INCIDENTAL, SPECIAL, EXEMPLARY, OR PUNITIVE DAMAGES OR FOR ANY OTHER DAMAGES OF ANY KIND OR NATURE [NO PERIOD.] (INCLUDING, BUT NOT LIMITED TO, LOST PROFITS, DOWN TIME OR LOSS OF USE) UNDER ANY LEGAL THEORY, EVEN IF BAJARACK WAS ADVISED OF THE POSSIBILITY OF SUCH DAMAGES. BAJARACK'S SOLE LIABILITY IS LIMITED TO THE REMEDY SET FORTH ABOVE.

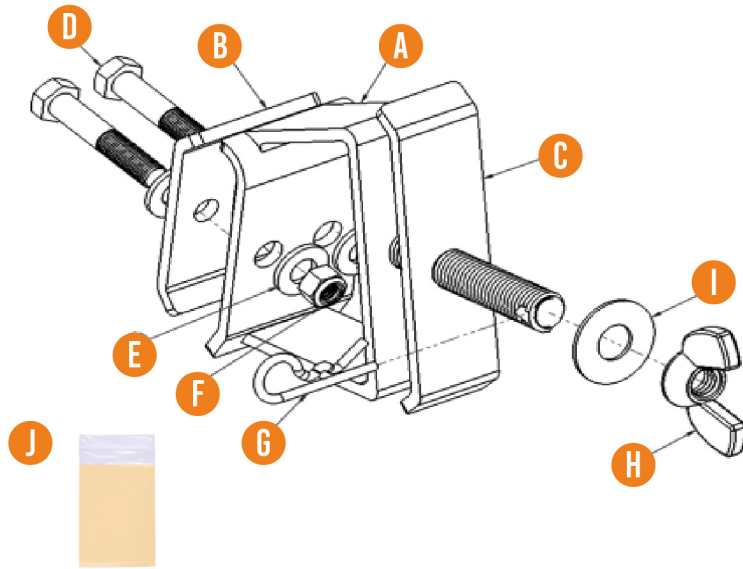
BajaRack reserves the right to change Product design without notice.



HI-LIFT MOUNT
FOR 3" HEIGHT



RACK COMPONENTS



What's in the box

- A) Hi Lift mount (2x)
- B) Holding Plate (2x)
- C) Secure Plate (2x)

- D) 3/8" - 16 x 2" Hex Cap Screw Stainless Steel (4x)
- E) 3/8" - 1" OD Flat Washer Stainless Steel (8x)
- F) 3/8" - 16 Nylon Insert Lock Nut Stainless Steel (4x)
- G) 1/8" x 1" 15/16 Hairpin Cotter Zinc Plated (2x)
- H) 1/2" - 13 Wing Nut Zinc Plated (2x)
- I) 1/2" x 1" 3/8 Flat Washer Zinc Finish (2x)
- J) Grease, for use with all bolts with Lock Nuts (1x)

Recommended Tools

- 9/16" wrench for installation
- 9/16" ratchet tool for support

Tips and recommendations (please read)

- It is recommended to place the hi-lift accessory with the help of a friend.

INSTALLATION STEPS

1 Place the HLA mount (A) on any side of your rack as shown in the top image.



2 Place the Holding plate (B) on the rear of the side and insert the bolts (D) with washers (E) through the holes and then place the washers (E) and nylon lock nuts (F). See the top image as reference.



NOTE: Remember add some grease (J) before inserting the bolts (D) with the nylon lock nuts (F).

3 Repeat steps 1 and 2 for the second mount



NOTE: Adjust the HLA mounts according to the holes of the Hi-lift accessory.

4 Tighten the all hardware using a 9/16" wrench and 9/16" ratchet tool.



INSTALLATION STEPS

- 5 Place the Hi-Lift accessory on the top of HLA mounts and place the secure plate (C), adding the washer (I) and the wing nut (H) all the way. Finally insert lock pin (G) through the HLA mount's screw.



- 6 Repeat the 5th step in the opposite side and don't forget place the lock pin.



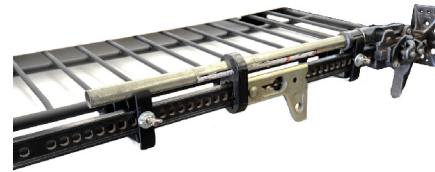
ENJOY
— YOUR NEW —
HI-LIFT MOUNT
ACCESSORY!



TECHNICAL SPECIFICATIONS

HI-LIFT MOUNT FOR 3" HEIGHT

BR-HLA3-0



Material and Thickness: 3/16 Inch (4.7 mm) steel.

Finish: Epoxy primer (rust barrier) with black powder coating

Mounting Method: Clamps install directly on the sides of rack.