

BAJARACK WARRANTY



This Limited Warranty covers BajaRack products and all accessories for a period of 2 years from the date of purchase to the original owner of the product and does not apply once the equipment is sold or transferred to another person.

This Warranty does not cover the cost of removal of reinstallation or the product. BajaRack warrants (subject to conditions listed in this warranty) all products to be free of manufacturing defects in materials and workmanship.

Warranty claim requirements

The claim has to be submitted during the warranty period at the place of purchase or directly at our corporate office located:



BajaRack Adventure Equipment
2275 Michael Faraday Drive, Suite 6
San Diego, CA 92154 USA
Phone Number: 760-621-0171

Warranty resolution

Subject to BajaRack inspection of the product, the company will remedy defects in materials and/or workmanship by repairing or replacing, at BajaRack's option, the defective product without charge for parts or labor, subject to the limitations and exclusions described in this warranty. BajaRack may elect, at its option, not to repair or replace a defective product, in which case BajaRack will issue to the original retail purchaser, at BajaRack's option, either a full refund equal to the purchase price paid for the product, or a credit to be used toward the purchase of new BajaRack products or accessories.

Limitations of Liability

BajaRack is not liable for damage caused by shipping or transport of BajaRack products. It is the responsibility of the original retail purchaser to inspect all products prior to acceptance and to notify the shipping carrier in a timely manner so that any claim for damages can be made. If timely notification to the shipping carrier by the original retail purchaser is not made regarding damage caused during the transport of the product, a claim for damages may not be possible, and all liability falls to the original retail purchaser. This warranty does not apply if accident, abuse, misuse, collision, overloading, modification, misapplication, improper installation, or improper service has damaged the Product.

BAJARACK SHALL NOT BE LIABLE FOR ANY DIRECT, INDIRECT, CONSEQUENTIAL, INCIDENTAL, SPECIAL, EXEMPLARY, OR PUNITIVE DAMAGES OR FOR ANY OTHER DAMAGES OF ANY KIND OR NATURE [NO PERIOD.] (INCLUDING, BUT NOT LIMITED TO, LOST PROFITS, DOWN TIME OR LOSS OF USE) UNDER ANY LEGAL THEORY, EVEN IF BAJARACK WAS ADVISED OF THE POSSIBILITY OF SUCH DAMAGES. BAJARACK'S SOLE LIABILITY IS LIMITED TO THE REMEDY SET FORTH ABOVE.

BajaRack reserves the right to change Product design without notice.



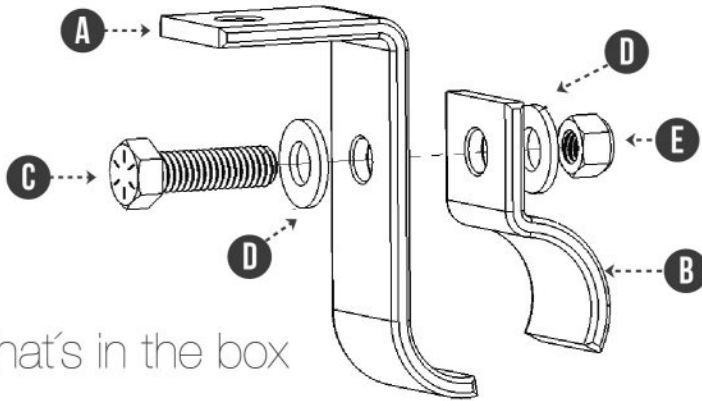
LIGHT CLAMP

FOR STANDARD BASKET, EXPEDITION
AND UTILITY/FLAT RACKS



RACK COMPONENTS

Exploded view for Fuel can holder mount



What's in the box

A) Light Clamp A	(1x)
B) Light Clamp B	(1x)
C) Bolt 3/8" x 1"1/4	(1x)
D) Flat Washer 3/8"	(2x)
E) Nylon locknuts 3/8"	(1x)

Recommended Tools

- 9/16" wrench for installation
- 9/16" ratchet tool for support

Tips and recommendations (please read)

- Do not overtighten screws.
- Use grease on nut and bolt to prevent thread galling.

INSTALLATION STEPS

- 1 First, unscrew the pre-assembled Light Clamp mount with ratchet tool and wrench 9/16".



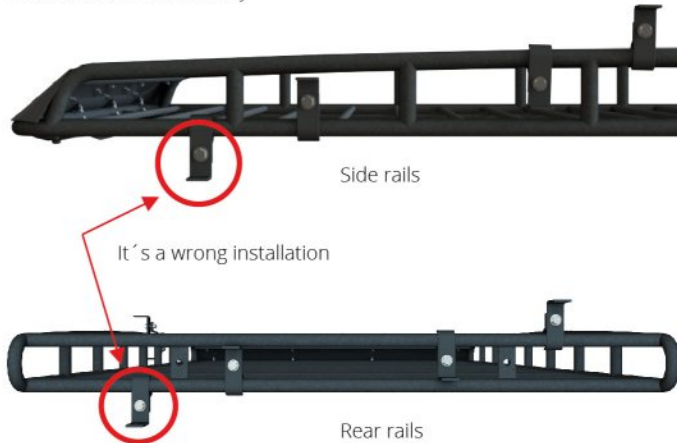
- 2 Place the Light Clamp A (A) support on anywhere you want as long as it's a 1" tube, then place the Light Clamp B (B) on the rear and insert washers, bolts and nylon lock nuts. You will need to tighten carefully the bolt and nylon lock nut with ratchet tool and wrench 9/16".

Note: Apply grease (L) to bolt threads before adding nuts and tightening.



INSTALLATION STEPS

- 3 Please see the below images to identify where and where not to install the accessory



- 4 Add the light of your choice



ENJOY
— YOUR NEW —
LIGHT CLAMP
ACCESSORY!



TECHNICAL SPECIFICATIONS

LIGHT CLAMP

BR-LTCLAMP1-0

For Standard Basket, FM (Full Mesh), Expedition and Utility / Flat Racks



Material and Thickness: 3/16 Inch (4.7mm) steel
Finish: Epoxy primer (rust barriers), with black powder coating.
Mounting Method: Clamps install directly on the 1 Inch tube of the rack.