

# BAJARACK WARRANTY



This Limited Warranty covers BajaRack products and all accessories for a period of 2 years from the date of purchase to the original owner of the product and does not apply once the equipment is sold or transferred to another person.

This Warranty does not cover the cost of removal of reinstallation or the product. BajaRack warrants (subject to conditions listed in this warranty) all products to be free of manufacturing defects in materials and workmanship.

## Warranty claim requirements

The claim has to be submitted during the warranty period at the place of purchase or directly at our corporate office located:



**BajaRack Adventure Equipment**  
2275 Michael Faraday Drive, Suite 6  
San Diego, CA 92154 USA  
Phone Number: 760-621-0171

On your product you will find a label with a serial number. If you remove this label, please save the serial number in a safe place. You will need it if you want to make a warranty claim in the future. Any cost incurred to transport the defective product "to and from" will be the customer's responsibility.



## Warranty resolution

Subject to BajaRack inspection of the product, the company will remedy defects in materials and/or workmanship by repairing or replacing, at BajaRack's option, the defective product without charge for parts or labor, subject to the limitations and exclusions described in this warranty. BajaRack may elect, at its option, not to repair or replace a defective product, in which case BajaRack will issue to the original retail purchaser, at BajaRack's option, either a full refund equal to the purchase price paid for the product, or a credit to be used toward the purchase of new BajaRack products or accessories.

## Limitations of Liability

BajaRack is not liable for damage caused by shipping or transport of BajaRack products. It is the responsibility of the original retail purchaser to inspect all products prior to acceptance and to notify the shipping carrier in a timely manner so that any claim for damages can be made. If timely notification to the shipping carrier by the original retail purchaser is not made regarding damage caused during the transport of the product, a claim for damages may not be possible, and all liability falls to the original retail purchaser. This warranty does not apply if accident, abuse, misuse, collision, overloading, modification, misapplication, improper installation, or improper service has damaged the Product.

BAJARACK SHALL NOT BE LIABLE FOR ANY DIRECT, INDIRECT, CONSEQUENTIAL, INCIDENTAL, SPECIAL, EXEMPLARY, OR PUNITIVE DAMAGES OR FOR ANY OTHER DAMAGES OF ANY KIND OR NATURE [NO PERIOD.] (INCLUDING, BUT NOT LIMITED TO, LOST PROFITS, DOWN TIME OR LOSS OF USE) UNDER ANY LEGAL THEORY, EVEN IF BAJARACK WAS ADVISED OF THE POSSIBILITY OF SUCH DAMAGES. BAJARACK'S SOLE LIABILITY IS LIMITED TO THE REMEDY SET FORTH ABOVE.

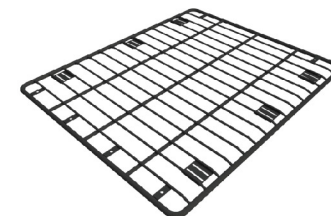
BajaRack reserves the right to change Product design without notice.



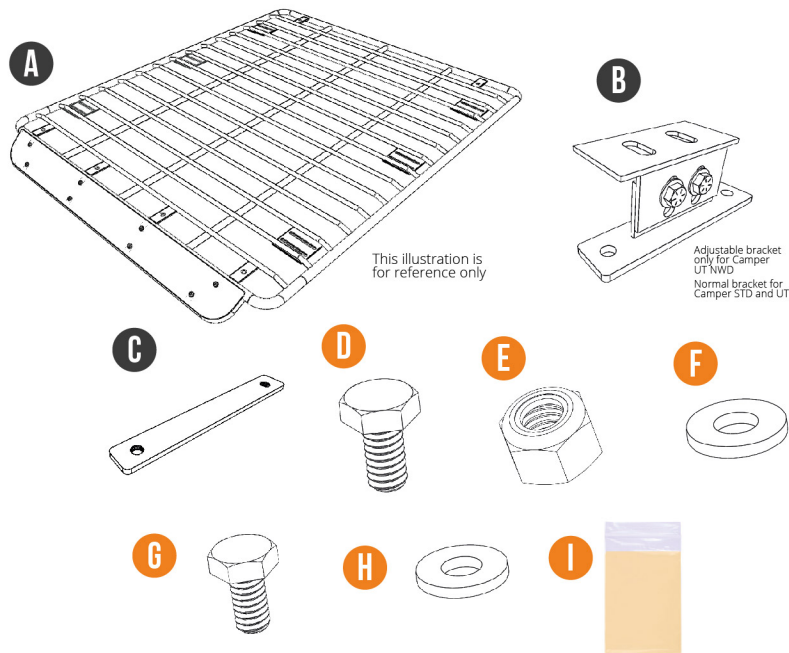
## CAMPER

BR-CAMPER-UT-0

SHELL STANDARD & UTILITY  
ROOF RACKS



# RACK COMPONENTS



This illustration is for reference only

Adjustable bracket only for Camper UT NWD  
Normal bracket for Camper STD and UT

## What's in the box

- A) Rack (1x)
- B) Brackets (6x)
- C) Rail bracket (6x)

- D) 5/16" x 3/4" Hex Cap Screw Stainless Steel (12x)
- E) 5/16" Nylon Insert Lock Nut Stainless Steel (12x)
- F) 5/16" OD Flat Washer Stainless Steel (24x)
- G) 1/4" x 1/2" Hex Cap Screw Stainless Steel Roof (12x)
- H) 1/4" OD Flat Washer Stainless Steel (12x)
- I) Grease, for use with all bolts with lock nuts (1x)

### Recommended Tools

- 1/2" wrench for installation
- 1/2" socket for ratchet tool
- 7/16" wrench for roof bolts
- RTV Silicone sealant

### Tips and recommendations (please read)

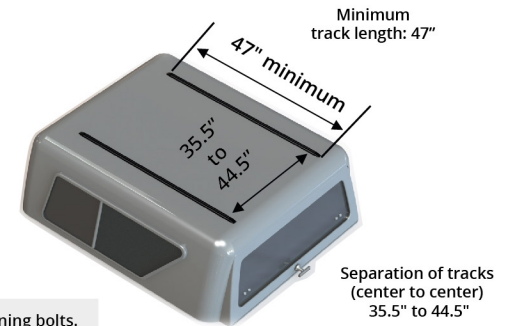
- Please Install the Rack with the help of a friend.
- The load limit of your rack is 300lb please do not exceed.
- Your Rack is an accessory; it is not protection for rollovers

# INSTALLATION STEPS

Note: If you do not have installed rail tracks, you will have to install them per their instructions.

- 1 Make sure you have pre-installed rail tracks on your topper shell and that every bolt is tight.
- 2 Using a 7/16" wrench, tighten the bolts (G) on the threaded support plates inserted.

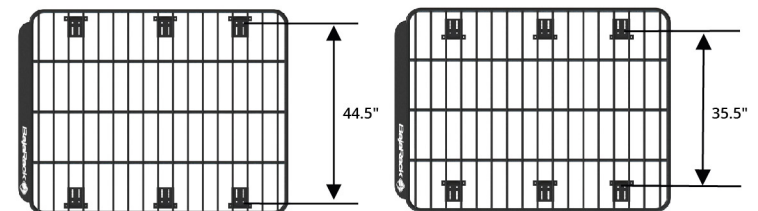
Note: Please use grease (I) before tightening bolts.



- 3 Slide-in the three rail brackets (C) into the track rails. Be sure to slide three (3) rail brackets per side. All six are the same.



If your topper shell needs the installation of rail tracks we suggest you install the tracks using the rack as a template to where the brackets will land. Always install the track rails between specified structural zone of the topper shell.



In order to achieve the maximum and minimum bracket separation, invert the brackets as shown.



This illustration is for reference only



## INSTALLATION STEPS

- 4 Slide back on the front notches and tighten back the factory screw from the rail tracks.



- 5 Place the bracket (B) on the rail bracket (C) and slide through the bracket's holes the bolts (G) with washer (H) provided with the brackets.

Note: Add grease (I) to the threads of each bolts.



- 6 Tighten the bolts on the threaded rail brackets inserted using a 7/16" wrench. The bolts should not be tightened completely for final adjustment. Repeat for the other brackets.



- 7 With the help of a friend, place the rack (A) on top of brackets.



- 8 Align the slotted plates of the brackets with the slotted plates of your rack by sliding back and forward or side to side.

- 9 Slide through the holes the bolts (D) washers (F) and below inserting the washer (F) and nut (E).

Note: Add grease (I) to the threads of each bolts.



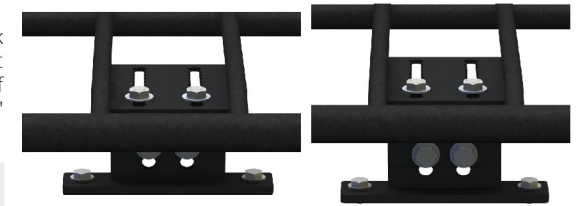
- 10 Tighten the bolts on the threaded rail brackets inserted using a 7/16" wrench.



## INSTALLATION STEPS

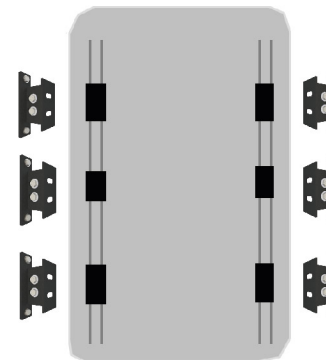
- 11 You'll need pick up the rack according to the height that you want. Tighten the bolts of the brackets using a 1/2" wrench. or 1/2" socket

Note: This step is only for Camper UT NWD. All of the brackets are adjustable and preassembled.

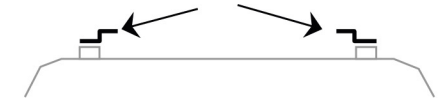


- 12 Tighten completely the roof bolts on the threaded rail brackets inserted using a 7/16" wrench.

Note: Make sure the bolts and nuts have been fully tighten and flat washers have been inserted.



Note: The brackets are the same, you can switch them between sides as long as you place them towards the inner side of the roof. As seen.



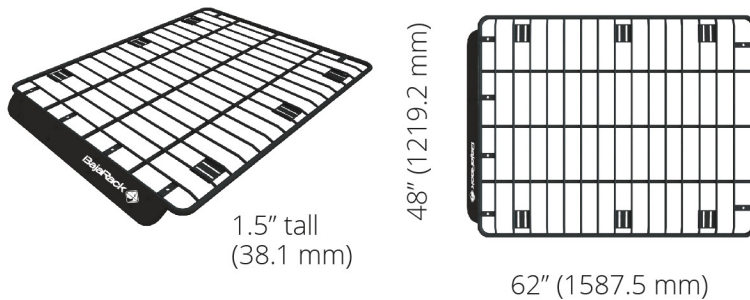
**ENJOY**  
— YOUR NEW —  
**BAJARACK**  
ROOF RACK!



# TECHNICAL SPECIFICATIONS

## CAMPER SHELL UTILITY

BR-CAMPER-UT-0



This Rack comes as one piece and includes all mounting brackets, stainless steel hardware, and aluminum wind deflector.

**Material and Thickness:** 1" (25.4mm) and 1/2" (12.7mm)

US-made, cold-rolled, Steel tubing

**Top Wind Deflector:** .062" (1.57mm) 5050-H32 Aluminum

**Finish:** Epoxy primer (rust inhibitor) with black powder coating

**Rack weight:** Utility 32 Lb (14.51Kg)

**Weight Capacity:** 600 Lb (272 Kg) Static / 300 Lb (136 Kg)

Dynamic

**Measurements:** Utility- 48" (1219 mm) wide x 62" 1/2 (1587.5 mm) Long x 1.5" (38.1 mm) tall. (Flat area 60" (1524mm) Long)

**Total Height (Top of roof to top of rack):** 2.25"

**Cargo area:** 20ft<sup>2</sup> (1.85m<sup>2</sup>)

**Mounting method:** Slide track mounting brackets (6 total)

Minimum length 47"; Distance between rails (center to center, see drawing) 35.5" to 44.5"

The load capacity may be limited by camper shell load limits

# COMPATIBLE ACCESSORIES



Fuel Can Holder



Axe & Shovel mount for flat racks



Awning mount for flat racks (2 pieces)



Tent Plates



Hi-Lift mount for flat racks



Light Clamp mount



Maxtrax mount for flat racks



Water Can Holder



Tire mount



Yakima & Thule Accessory mount (2 pieces)



Yakima & Thule Accessory mount (4 pieces)