

BAJARACK WARRANTY

This Limited Warranty covers BajaRack products and all accessories for a period of 2 years from the date of purchase to the original owner of the product and does not apply once the equipment is sold or transferred to another person.

This Warranty does not cover the cost of removal of reinstallation or the product. BajaRack warrants (subject to conditions listed in this warranty) all products to be free of manufacturing defects in materials and workmanship.

Warranty claim requirements

The claim has to be submitted during the warranty period at the place of purchase or directly at our corporate office located:



BajaRack Adventure Equipment
2275 Michael Faraday Drive, Suite 6
San Diego, CA 92154 USA
Phone Number: 760-621-0171

On your product you will find a label with a serial number. If you remove this label, please save the serial number in a safe place. You will need it if you want to make a warranty claim in the future. Any cost incurred to transport the defective product "to and from" will be the customer's responsibility.



Warranty resolution

Subject to BajaRack inspection of the product, the company will remedy defects in materials and/or workmanship by repairing or replacing, at BajaRack's option, the defective product without charge for parts or labor, subject to the limitations and exclusions described in this warranty. BajaRack may elect, at its option, not to repair or replace a defective product, in which case BajaRack will issue to the original retail purchaser, at BajaRack's option, either a full refund equal to the purchase price paid for the product, or a credit to be used toward the purchase of new BajaRack products or accessories.

Limitations of Liability

BajaRack is not liable for damage caused by shipping or transport of BajaRack products. It is the responsibility of the original retail purchaser to inspect all products prior to acceptance and to notify the shipping carrier in a timely manner so that any claim for damages can be made. If timely notification to the shipping carrier by the original retail purchaser is not made regarding damage caused during the transport of the product, a claim for damages may not be possible, and all liability falls to the original retail purchaser. This warranty does not apply if accident, abuse, misuse, collision, overloading, modification, misapplication, improper installation, or improper service has damaged the Product.

BAJARACK SHALL NOT BE LIABLE FOR ANY DIRECT, INDIRECT, CONSEQUENTIAL, INCIDENTAL, SPECIAL, EXEMPLARY, OR PUNITIVE DAMAGES OR FOR ANY OTHER DAMAGES OF ANY KIND OR NATURE [NO PERIOD.] (INCLUDING, BUT NOT LIMITED TO, LOST PROFITS, DOWN TIME OR LOSS OF USE) UNDER ANY LEGAL THEORY, EVEN IF BAJARACK WAS ADVISED OF THE POSSIBILITY OF SUCH DAMAGES. BAJARACK'S SOLE LIABILITY IS LIMITED TO THE REMEDY SET FORTH ABOVE.

BajaRack reserves the right to change Product design without notice.



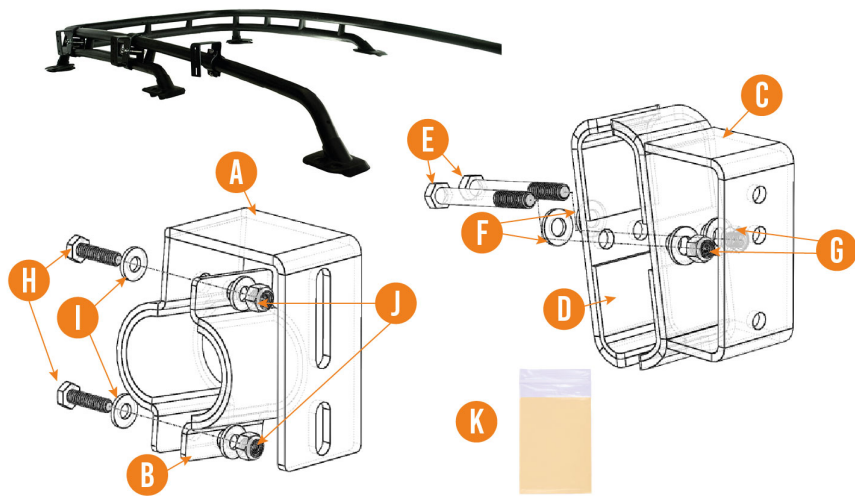
AWNING MOUNT

FOR TOYOTA FJ FACTORY RACK



Awning mount for Toyota FJ factory rack

RACK COMPONENTS



What's in the box

- A) Awning mount base (1x)
- B) Awning mount front plate (1x)
- C) Awning mount rear base (2x)
- D) Awning mount rear base (2x)

- E) Bolts 3/8" x 3" (4x)
- F) Flat washer 3/8" (8x)
- G) Nylon lock nuts 3/8" (4x)
- H) Bolt 1/4" x 1" (2x)
- I) Flat washer 1/4" (4x)
- J) Nylon lock nuts 1/4" (2x)
- K) Grease, for use with all bolts with Lock Nuts(1x)

Recommended Tools

- 9/16" wrench for installation
- 9/16" ratchet tool for support
- 7/16" wrench for installation
- 7/16" ratchet tool for support

Tips and recommendations

(please read)

- It is recommended to place the awning accessory with the help of a friend.
- This accessory is for install only on "P" side.

INSTALLATION STEPS

- 1 Place the Awning mount rear base (C) on top of your factory rack as shown in picture above. Locate it near the middle mount of factory rack of "P" side. Place Awning mount rear plate (D) next to the rear side of Awning mount (C) base and insert bolts (E), washers (F) and nylon lock nuts (G) as image above. Tighten the bolts by hand because you will need adjust the Awning mounts.



NOTE: Remember to add some GREASE over threads of bolts before inserting in nylon lock nuts.



- 2 Repeat step 1 to Awning mounts (C & D) of rear of "P" side. Please see image as reference.



- 3 Place the Awning mount front base (A) on the front part of your factory rack (single tube of "P" side) and place the awning mount front plate (B) in the rear side of the Awning mount front base (A). Now, Insert the bolts (H), washer (I) and nylon lock nuts (J) in the mountings holes.



- 4 Tight the bolts completely, for front mount use the 7/16" ratchet and wrench tools, for middle and rear side use the 9/16" ratchet and wrench tools.



INSTALLATION STEPS

- 5 With the help of a friend place the awning accessory on the front face of mounts, insert the awning bolts in the holes of the mounts using the hardware from the awning accessory.



ENJOY
— YOUR NEW —
AWNING MOUNT
ACCESSORY!



TECHNICAL SPECIFICATIONS

AWNING MOUNT FOR TOYOTA FACTORY RACKS

BR-AWNMNT-TYOEM-3-0

Fj Cruiser Racks



Material and Thickness: 3/16 Inch (4.7 mm) steel.

Finish: Epoxy primer (rust barrier) with black powder coating

Mounting Method: Clamps install directly on sides of Toyota FJ factory rack