

BAJARACK WARRANTY



This Limited Warranty covers BajaRack products and all accessories for a period of 2 years from the date of purchase to the original owner of the product and does not apply once the equipment is sold or transferred to another person.

This Warranty does not cover the cost of removal of reinstallation or the product. BajaRack warrants (subject to conditions listed in this warranty) all products to be free of manufacturing defects in materials and workmanship.

Warranty claim requirements

The claim has to be submitted during the warranty period at the place of purchase or directly at our corporate office located:



BajaRack Adventure Equipment
2275 Michael Faraday Drive, Suite 6
San Diego, CA 92154 USA
Phone Number: 760-621-0171

On your product you will find a label with a serial number. If you remove this label, please save the serial number in a safe place. You will need it if you want to make a warranty claim in the future. Any cost incurred to transport the defective product "to and from" will be the customer's responsibility.



Warranty resolution

Subject to BajaRack inspection of the product, the company will remedy defects in materials and/or workmanship by repairing or replacing, at BajaRack's option, the defective product without charge for parts or labor, subject to the limitations and exclusions described in this warranty. BajaRack may elect, at its option, not to repair or replace a defective product, in which case BajaRack will issue to the original retail purchaser, at BajaRack's option, either a full refund equal to the purchase price paid for the product, or a credit to be used toward the purchase of new BajaRack products or accessories.

Limitations of Liability

BajaRack is not liable for damage caused by shipping or transport of BajaRack products. It is the responsibility of the original retail purchaser to inspect all products prior to acceptance and to notify the shipping carrier in a timely manner so that any claim for damages can be made. If timely notification to the shipping carrier by the original retail purchaser is not made regarding damage caused during the transport of the product, a claim for damages may not be possible, and all liability falls to the original retail purchaser. This warranty does not apply if accident, abuse, misuse, collision, overloading, modification, misapplication, improper installation, or improper service has damaged the Product.

BAJARACK SHALL NOT BE LIABLE FOR ANY DIRECT, INDIRECT, CONSEQUENTIAL, INCIDENTAL, SPECIAL, EXEMPLARY, OR PUNITIVE DAMAGES OR FOR ANY OTHER DAMAGES OF ANY KIND OR NATURE [NO PERIOD.] (INCLUDING, BUT NOT LIMITED TO, LOST PROFITS, DOWN TIME OR LOSS OF USE) UNDER ANY LEGAL THEORY, EVEN IF BAJARACK WAS ADVISED OF THE POSSIBILITY OF SUCH DAMAGES. BAJARACK'S SOLE LIABILITY IS LIMITED TO THE REMEDY SET FORTH ABOVE.

BajaRack reserves the right to change Product design without notice.



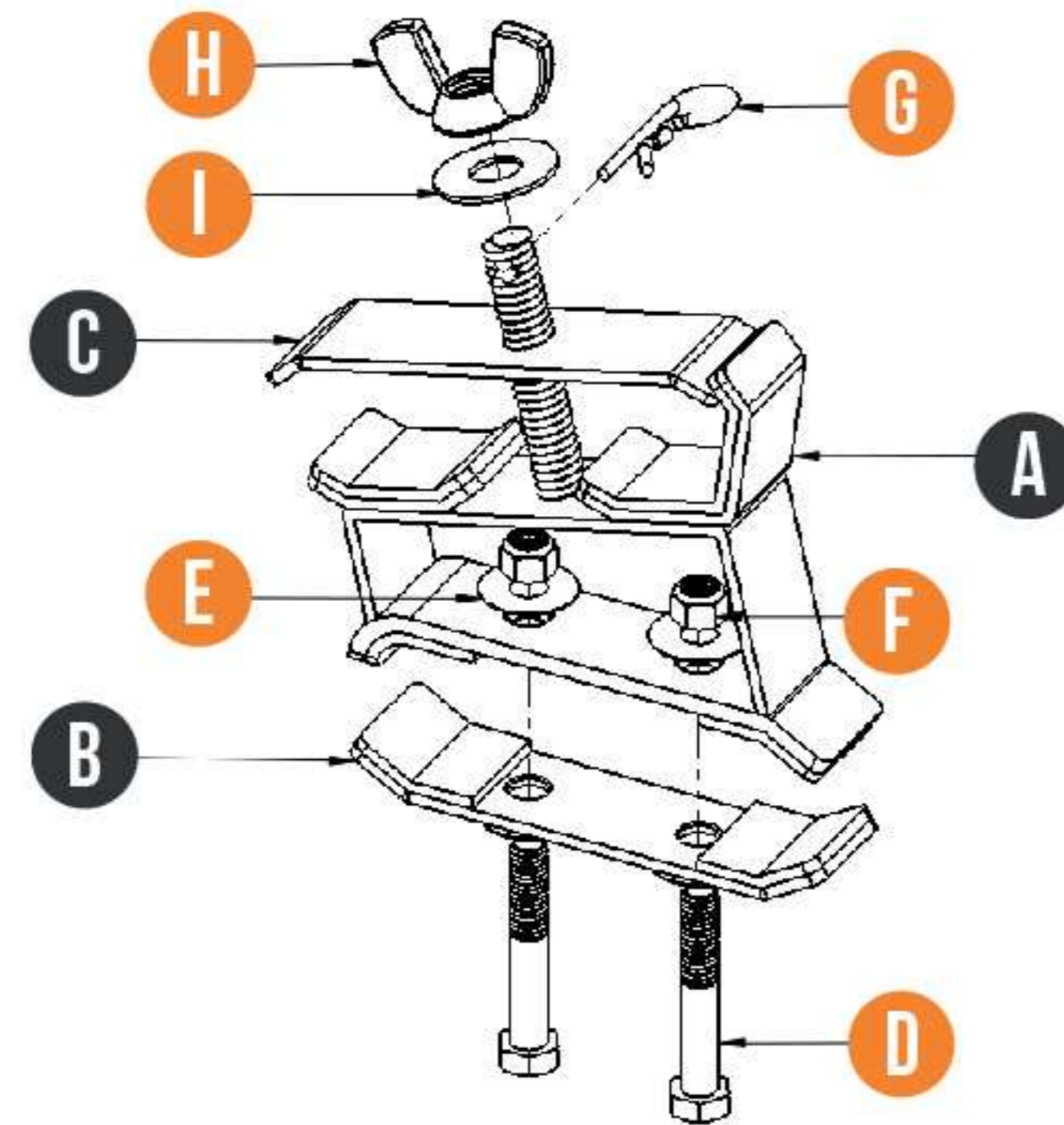
AXE AND SHOVEL MOUNT

FOR 5" HEIGHT RACKS
OF TUBING AND MESH RACKS



Axe&Shovel mount for 5" Height racks

RACK COMPONENTS



- A) Ashovel mount (2x)
- B) Ashovel Plate (2x)
- C) Secure Plate (2x)

What's in the box

- D) 3/8" - 16 x 2" Hex Cap Screw Stainless Steel (4x)
- E) 3/8" - 1" OD Flat Washer Stainless Steel (8x)
- F) 3/8" - 16 Nylon Insert Lock Nut Stainless Steel (4x)
- G) 1/8" x 1" 15/16 Hairpin Cotter Zinc Plated (2x)
- H) 1/2" - 13 Wing Nut Zinc Plated (2x)
- I) 1/2" x 1" 3/8 Flat Washer Zinc Finish (2x)
- J) Grease, for use with all bolts with lock nuts (1x)

Recommended Tools

- 9/16" wrench for installation
- 9/16" ratchet tool for support

Tips and recommendations (please read)

- Place Axe and Shovel evenly on the side of the rack.
- It is recommended to use a lock to prevent stolen Axe and Shovel.

INSTALLATION STEPS

- 1 Place the Ashovel plate (B) on the inside of lateral of your rack and inserting the bolts (D) and washers (E) in the Ashovel palte holes. Then, place Ashovel mount on the other side and insert washers (E) with nylon lock nuts (F) in bolt (D).

Note: Do not forget to add some grease (J) over the thread of bolts before inserting bolts in nylon lock nuts. Do not tighten completely because you will have to adjust the mounts



- 2 Repeat the step 1 to the other mount. Adjust the mounts according to the axe and shovel accessories, then tightening using a 9/16" wrench and 9/16" ratchet tool.



- 3 Place the Axe and shovel accessories in its position and place secure plates (C), adding washers (I) and wing nuts (H) all the way. Then, inserting lock pins (G) into hole of Ashovel mount's screw.



INSTALLATION STEPS



ENJOY
— YOUR NEW —
AXE & SHOVEL MOUNT
ACCESSORY!



TECHNICAL SPECIFICATIONS

AXE AND SHOVEL MOUNT FOR 5" HEIGHT RACKS

BR-ASHOVEL5-0

Tubing and Mesh Racks



Material and Thickness: 1/8 Inch (3.175 mm) steel

Finish: Epoxy primer (rust barrier) with black powder coating

Mounting Method: Clamps install directly on the rack side rails