

BAJARACK WARRANTY



This Limited Warranty covers BajaRack products and all accessories for a period of 2 years from the date of purchase to the original owner of the product and does not apply once the equipment is sold or transferred to another person.

This Warranty does not cover the cost of removal of reinstallation or the product. BajaRack warrants (subject to conditions listed in this warranty) all products to be free of manufacturing defects in materials and workmanship.

Warranty claim requirements

The claim has to be submitted during the warranty period at the place of purchase or directly at our corporate office located:



BajaRack Adventure Equipment
2275 Michael Faraday Drive, Suite 6
San Diego, CA 92154 USA
Phone Number: 760-621-0171

On your product you will find a label with a serial number. If you remove this label, please save the serial number in a safe place. You will need it if you want to make a warranty claim in the future. Any cost incurred to transport the defective product "to and from" will be the customer's responsibility.



Warranty resolution

Subject to BajaRack inspection of the product, the company will remedy defects in materials and/or workmanship by repairing or replacing, at BajaRack's option, the defective product without charge for parts or labor, subject to the limitations and exclusions described in this warranty. BajaRack may elect, at its option, not to repair or replace a defective product, in which case BajaRack will issue to the original retail purchaser, at BajaRack's option, either a full refund equal to the purchase price paid for the product, or a credit to be used toward the purchase of new BajaRack products or accessories.

Limitations of Liability

BajaRack is not liable for damage caused by shipping or transport of BajaRack products. It is the responsibility of the original retail purchaser to inspect all products prior to acceptance and to notify the shipping carrier in a timely manner so that any claim for damages can be made. If timely notification to the shipping carrier by the original retail purchaser is not made regarding damage caused during the transport of the product, a claim for damages may not be possible, and all liability falls to the original retail purchaser. This warranty does not apply if accident, abuse, misuse, collision, overloading, modification, misapplication, improper installation, or improper service has damaged the Product.

BAJARACK SHALL NOT BE LIABLE FOR ANY DIRECT, INDIRECT, CONSEQUENTIAL, INCIDENTAL, SPECIAL, EXEMPLARY, OR PUNITIVE DAMAGES OR FOR ANY OTHER DAMAGES OF ANY KIND OR NATURE [NO PERIOD.] (INCLUDING, BUT NOT LIMITED TO, LOST PROFITS, DOWN TIME OR LOSS OF USE) UNDER ANY LEGAL THEORY, EVEN IF BAJARACK WAS ADVISED OF THE POSSIBILITY OF SUCH DAMAGES. BAJARACK'S SOLE LIABILITY IS LIMITED TO THE REMEDY SET FORTH ABOVE.

BajaRack reserves the right to change Product design without notice.



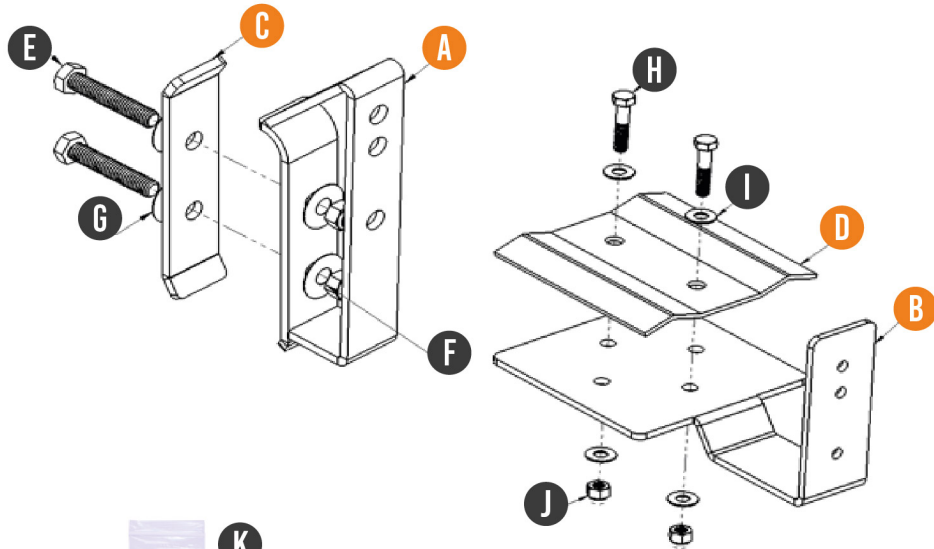
AWNING MOUNT

FOR DISCOVERY I & II



Awning mount for Discovery I & II

RACK COMPONENTS



What's in the box

- A) Awning mount front base (1x)
- B) Awning mount rear base (2x)
- C) Front holding plate (1x)
- D) Rear holding plate (2x)

- E) 3/8"-16 x 2" Hex Cap Screw Stainless Steel (6x)
- F) 3/8" - 6 Nylon Insert Lock Zinc Finish (6x)
- G) 3/8" - 1 1/2" OD Flat Washer Stainless Steel (12x)
- H) 5/16"-18 x 1-1/2" Hex Cap Screw Zinc Finish (4x)
- I) 1/4" x 0.734" OD Flat Washer Zinc Finish (8x)
- J) 5/16" - 18 Nylon Insert Lock Zinc Finish (4x)
- K) Grease, for use with all bolts with Lock Nuts (1x)

Recommended Tools

- 9/16" wrench for installation
- 9/16" ratchet tool for support
- 1/2" wrench for installation
- 1/2" ratchet tool for support

Tips and recommendations (please read)

- Place Awning evenly on the side of the rack. It is recommended to place the awning accessory with the help of a friend.

INSTALLATION STEPS

- 1 Place the awning mount front base (A) on the front side of your rack (left or right sides). Take the front holding plate (C) and place on the rear and insert bolts (E), washers (G) and nuts (F) as shown photos.



NOTE: Remember to add some GREASE over threads of bolts before inserting in nylon lock nuts. Do not tighten completely because you will have to adjust the mounts.

- 2 Place the awning mount rear base (B) under the rack's floor, take the rear holding plate (D) and place over the rack's floor, such a way that the awning mount base holes are aligned with the holding plate holes. Insert bolts (H), washers (I) and lock nuts (J) and tighten with the hand.



NOTE: Remember to add some GREASE over threads of bolts before inserting in nylon lock nuts. Do not tighten completely because you will have to adjust the mounts.

- 3 Repeat step 2 to the second rear awning mount. Depending on the size of your awning you will need adjust the distance between the two mounts. Tighten all the bolts carefully then to adjust the mounts. To the front mount tighten the bolts using the 9/16" ratchet tool and wrench and to the rear mount tighten the bolts using the 1/2" ratchet tool and wrench.



INSTALLATION STEPS

- 4 Use the provided bolts and nuts with your Awning and attach it to the base mounts of your new accessory. Tighten everything down.



ENJOY
— YOUR NEW —
AWNING MOUNT
ACCESSORY!



TECHNICAL SPECIFICATIONS

AWNING MOUNT FOR DISCOVERY I & II

BR-AWNMNT-LRD-0



Material and Thickness: 1/8 Inch (3.175 mm) and 3/16 Inch (4.7 mm) steel.

Finish: Epoxy primer (rust barrier) with black powder coating

Mounting Method: The front mount installs directly on the 5" side rail, the rear mounts (2) install on the floor of the rack.