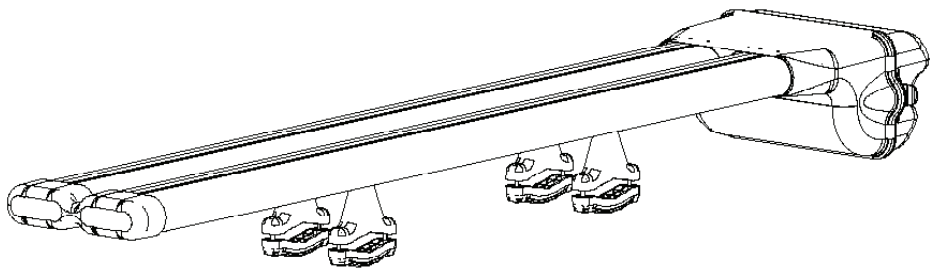




# RIVERQUIVER SHORTCUT

ROOFTOP FLY ROD HOLDER. LOCKED. LOADED. READY TO FISH.



## INSTALLATION GUIDE

[WWW.RIVERSMITH.COM](http://WWW.RIVERSMITH.COM)

@RIVERSMITHUSA



Patent Pending

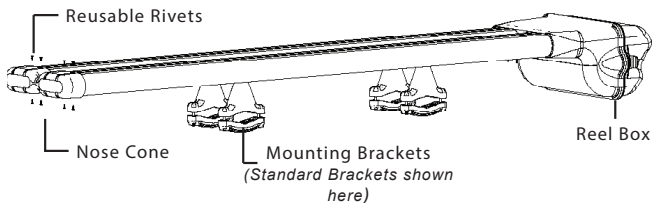
# CONTENTS

---

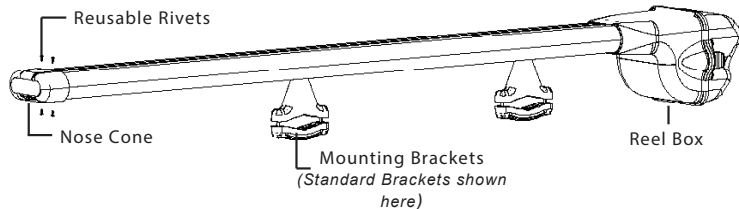
- 1 INCLUDED PARTS
- 2 TOOLS NEEDED & MOUNT ASSEMBLIES
- 3 STEP 1 - PREPARE VEHICLE
- 4 STEP 2 - PLACE ON YOUR VEHICLE
- 5-7 STEP 3 (A,B,C) - POSITION MOUNTING BRACKET
- 8-10 STEP 4 (A,B,C) - SECURE MOUNTING BRACKET
- 11 SAFETY INFORMATION
- 12 DRIVING
- 13 MAINTENANCE

# INCLUDED PARTS

## 4-BANGER



## 2-BANGER



### Accessories Available

- Rod Chairs
- Reel Box Pads

See full lineup of Accessories at [www.riversmith.com](http://www.riversmith.com)

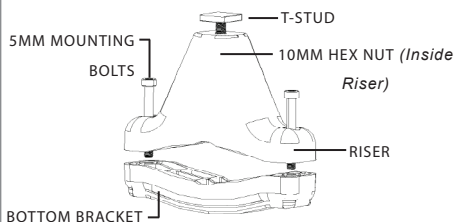
The ShortCut RQ is built and tested to the highest possible standards to securely transport and protect your gear, however it is not meant as a long term storage solution.

## TOOLS NEEDED

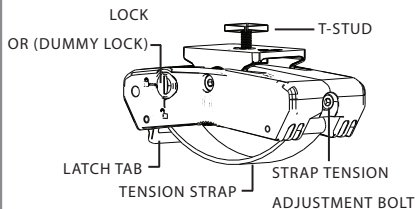


## MOUNT ASSEMBLIES

### STANDARD MOUNT

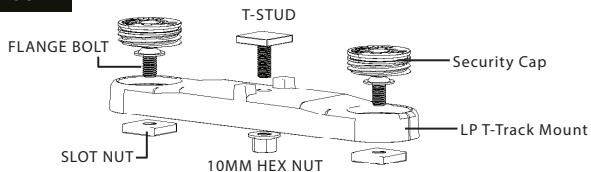


### QUICK RELEASE MOUNT



NOTE: Each set comes with one locking mount and the other mount has a "dummy lock"

### LP T-TRACK MOUNT



2Banger Mount Shown

## STEP 1

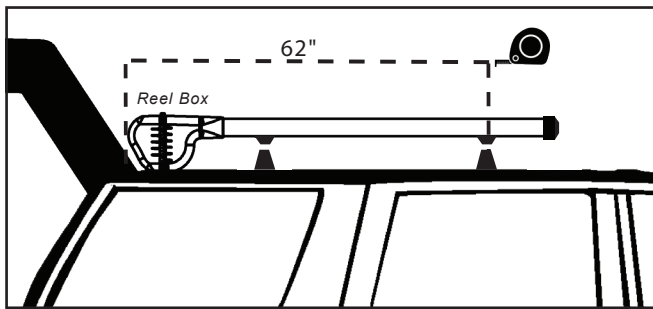
**NOTE:** Quick Release and LP T-Track Mounts are lower-profile than Standard Mounts and may require flipping the ShortCut RQ upside down to avoid the Reel Box hitting the roof of your vehicle.

Prepare Vehicle - DO NOT TIGHTEN MOUNTING BRACKETS UNTIL STEP 3

1

Measure from center of front crossbar to estimated location of the ShortCut RQ reel box. Generally it is best to spread vehicle crossbars as far as possible.

- If 62" or less front crossbar needs to shift forward to be more than 62" from Reel Box.
- If Reel Box touches roof of vehicle with mounts installed then the ShortCut RQ needs to be flipped upside down.



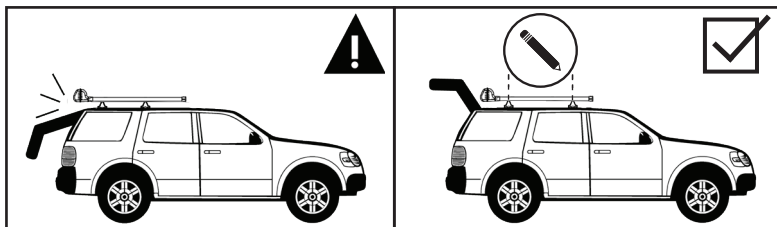
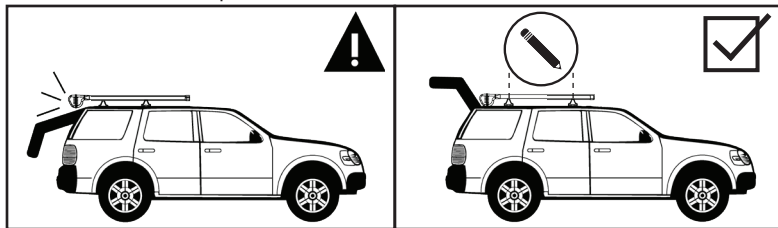
## STEP 2

### Placing River Quiver on Your Vehicle

2

Place ShortCut RQ on vehicle, optimizing side to side and front to back location. Monitor interference of rear hatches or doors.

- Mark River Quiver where Quick Release Mounts should be positioned to attach to vehicle crossbars.
- If Reel Box touches roof of vehicle with mounts installed then the ShortCut RQ needs to be flipped upside down.



## STEP 3A

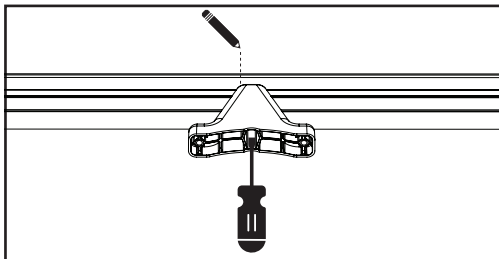
---

### Position Standard Mounting Brackets

3A

Remove from vehicle and tighten nuts on T-Studs using 10mm nut driver so risers align with marks made previously.

**▲ DO NOT OVERTIGHTEN OR DAMAGE WILL OCCUR**



CONTINUE ON PAGE 8 IF USING STANDARD MOUNTING BRACKETS

## STEP 3B

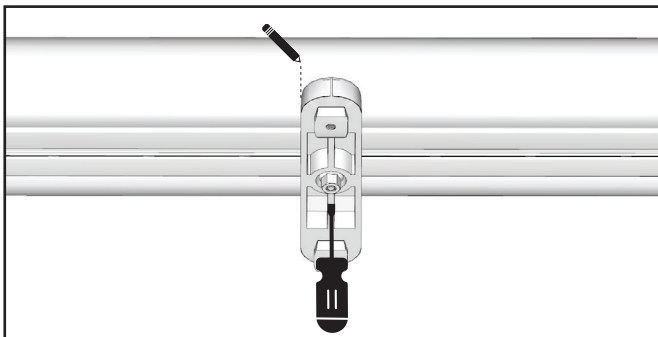
---

### Position LP T-Track Mounting Brackets

**3B**

Remove from vehicle and tighten nuts on T-Studs using 10mm nut driver so LP T-Track Mounts align with marks made previously.

**▲ DO NOT OVERTIGHTEN OR DAMAGE WILL OCCUR**



CONTINUE ON PAGE 9 IF USING LP T-TRACK MOUNTING BRACKETS



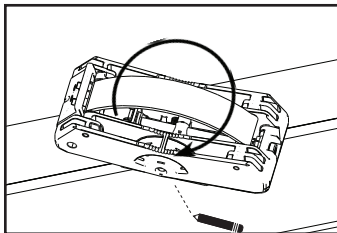
## STEP 3C

### Position Quick Release Mounting Brackets

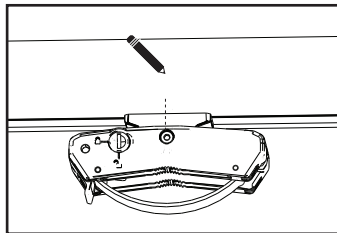
3C

Remove from vehicle and rotate the entire Quick Release Mount clockwise until secure and parallel with the extrusion. Ensure each mount aligns with marks made previously. Repeat for each mount.

**▲ DO NOT OVERTIGHTEN OR DAMAGE  
MAY OCCUR**



ROTATE CLOCKWISE TO TIGHTEN  
*(view shown from underside)*



CORRECT SECURE ALIGNMENT

CONTINUE ON PAGE 10 IF USING QUICK RELEASE MOUNTING BRACKETS

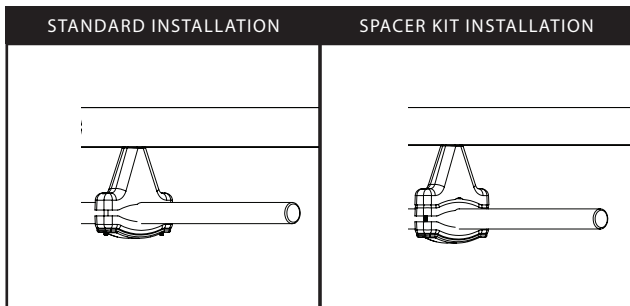
## STEP 4A

### Secure Standard Mounting Brackets

**4A**

Place ShortCut RQ back on vehicle and attach Mounting Brackets to Risers. Tighten Mounting Bracket Bolts or Mounting Bracket Locking Hardware evenly from side to side, one riser to the next with 4mm hex wrench or locking hardware key. Once installed check for security and function of River Quiver.

- DO NOT OVERTIGHTEN OR DAMAGE
- ▲ WILL OCCUR



## STEP 4B

### Secure LP T-Track Mounting Brackets

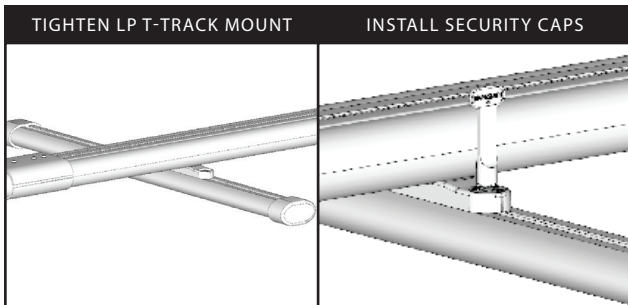
6

Place ShortCut RQ back on vehicle by sliding the LP T-Track Mounts into T-track cross bars. Tighten Mounting Bracket Bolts evenly on each side, one LP T-Track Mount to the next with 4mm hex wrench. After fully tightening the bolts, install Security Caps over each bolt using the Security Key. The top of the Security Caps should be flush with top of LP T-Track Mount.

Once installed check for security and function of ShortCut RQ.



**DO NOT OVERTIGHTEN OR DAMAGE**



## STEP 4C

### Secure Quick Release Mounting Brackets

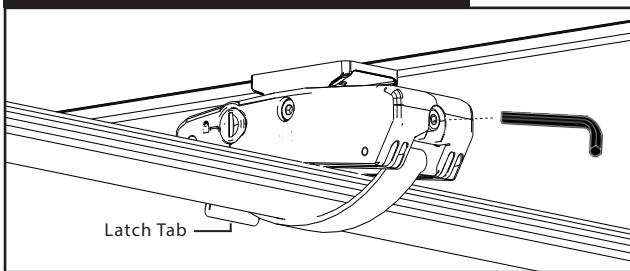
4C

Place ShortCut RQ back on vehicle aligning each Quick Release Mount with the cross bars. Adjust the tension bolt for each tension strap with 4mm hex wrench until you are able to turn down each latch tab with secure tension around the cross bars. After fully securing each Quick Release Mount tension strap, lock the locking mounts with key provided.

Once installed check for security and function of ShortCut RQ.

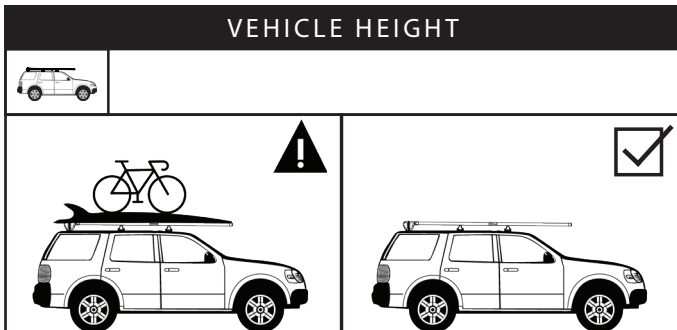
**!** DO NOT OVERTIGHTEN OR DAMAGE  
WILL OCCUR

TIGHTEN QUICK RELEASE MOUNT TENSION STRAP



# SAFETY INFORMATION

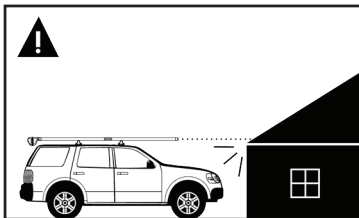
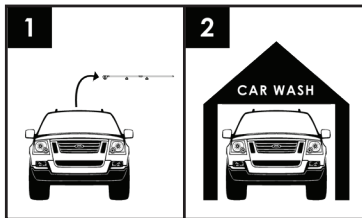
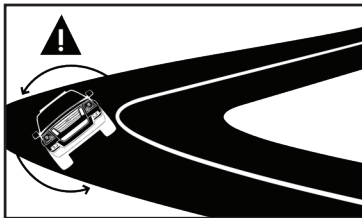
- Improperly secured loads and incorrectly mounted racks or accessories can come loose causing damage to property, serious injury, or death.
- Always place crossbars as far apart as possible before mounting ShortCut RQ.
- Check all rack and accessory hardware:
  - Before any trips
  - After a short drive following initial install
  - At regular intervals during use
  - Anytime rough terrain is encountered
- Do not exceed maximum vehicle roof loads or roof rack capacities.
- Do not attach unauthorized accessories to ShortCut RQ
- Record overall vehicle height with ShortCut RQ in place.



# DRIVING

---

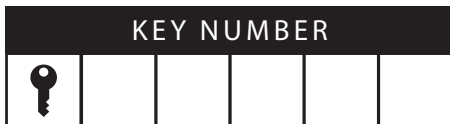
- Do not exceed posted speed limits or speeds appropriate for the terrain and conditions.
- Off road driving is not recommended and could result in damage to vehicles, accessories, or gear.
- Closely monitor overhead clearances.
- Adjust speed for curves.
- Monitor wind conditions and adjust driving accordingly.



# MAINTENANCE AND USE

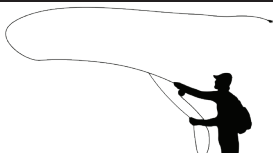
---

- **ShortCut RQ must be locked in order to function properly.**
- ShortCut RQ should be cleaned regularly with mild soap and water for maximum longevity.
- Always travel with rod fully rigged in ShortCut RQ.
- Periodically inspect ShortCut RQ and vehicle rack for damage. Replace lost, damaged, or worn parts with original replacement parts from Riversmith.
- Any modifications made to the ShortCut RQ or repairs made with parts other than those supplied by the manufacturer will void warranty and liability.
- To replace lost or damaged keys, record key/lock number and register product online at [www.riversmith.com](http://www.riversmith.com)
- In the case the mounting brackets need to be removed or replaced, the rivets holding the nose cone are removeable/reusable. Simply insert a flathead screwdriver under the nose cone within the T-Track and pry firmly upward/downward to release the press in rivet. To reattach press the rivets back into their corresponding holes.



Note: View Warranty, Register Product, and Watch Installation Tutorial at: [www.riversmith.com](http://www.riversmith.com)

— SHORTCUT RQ IS A PRODUCT BY —



## RIVER QUIVER LOCKED & LOADED LIMITED LIFETIME WARRANTY

Riversmith takes pride in the products we manufacture and will warrant that all River Quiver Rooftop Fly Rod Holders will be free from defects in workmanship and materials for the life of the product to the original purchaser ("you"), subject to the below conditions:

- ShortCut RQ was purchased from a Riversmith authorized dealer;
- You can provide proof of purchase from the Riversmith authorized dealer;
- The product was used only as intended and in accordance with the ShortCut RQ installation guide.

If a defect occurs during intended use (according to the installation guide), we will replace, at our discretion, the defective product or part. The warranty does not cover defects caused by misuse, overloading, modifications, or improper assembly. Cosmetic damage, loss, theft, normal wear and tear, and the natural breakdown of colors and materials over time and use are not warranted. If damage is deemed outside of the scope of this warranty, replacement parts will be available at discounted prices.

### Warranty Disclaimer:

UNDER NO CIRCUMSTANCES, WHETHER FOR BREACH OF WARRANTY, BREACH OF CONTRACT, NEGLIGENCE, OR OTHER TORT, OR ANY STRICT LIABILITY THEORY, WILL RIVERSMITH BE LIABLE FOR ANY INCIDENTAL OR CONSEQUENTIAL DAMAGES TO NON-RIVER QUIVER PRODUCTS USED IN CONJUNCTION WITH RIVER QUIVER PRODUCTS.

The warranty is only available in the United States. No Riversmith reseller, agent, or employee is authorized to make any modification, extension, or addition to this warranty.