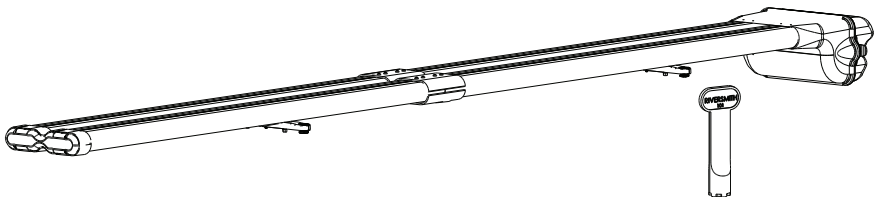




ROOFTOP FLY ROD HOLDER. LOCKED. LOADED. READY TO FISH.



INSTALLATION GUIDE WITH LP T-TRACK MOUNTS

WWW.RIVERSMITH.COM

@RIVERSMITHUSA



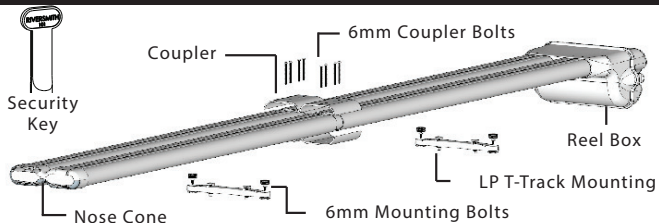
Patent Pending

CONTENTS

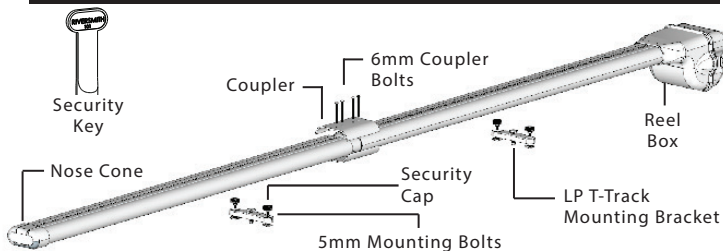
- 1 INCLUDED PARTS
- 2 TOOLS NEEDED
- 3 FLIPPING OVER RIVER QUIVER
- 4 MOUNT ASSEMBLY
- 5 STEP 1 - PREPARE VEHICLE
- 6 STEP 2 - INSTALL LP T-TRACK MOUNTING BRACKETS
- 7 STEP 3 - JOIN THE HALVES
- 8 STEP 4 - PLACE ON YOUR VEHICLE
- 9 STEP 5 - TIGHTEN LP T-TRACK MOUNTING BRACKETS
- 10 STEP 6 - INSTALL SECURITY CAPS
- 11 SAFETY INFORMATION
- 12 DRIVING
- 13 MAINTENANCE

INCLUDED PARTS

4-BANGER



2-BANGER



Accessories Available

- Rod Chairs
- Reel Box Pads

See full lineup of Accessories at www.riversmith.com

The River Quiver is built and tested to the highest possible standards to securely transport and protect your gear, however it is not meant as a long term storage solution.

TOOLS NEEDED



Marking
Utensil



Measuring
Tape



T27
L WRENCH



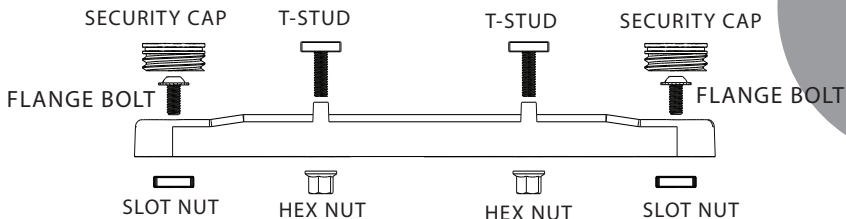
10mm
Nut Driver



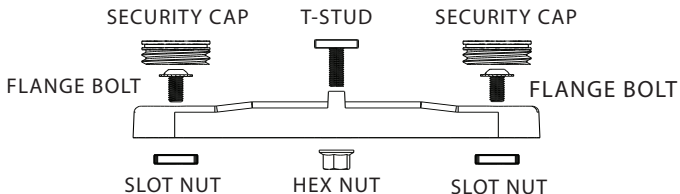
4mm
L WRENCH

MOUNT ASSEMBLY

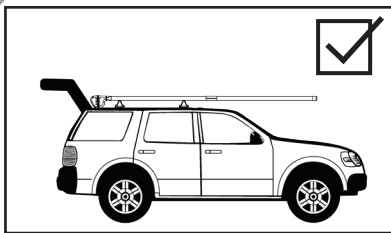
4-BANGER



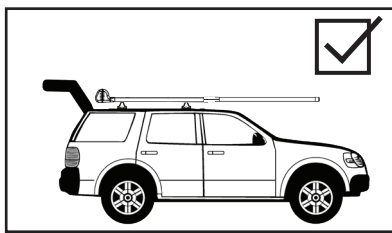
2-BANGER



NOTE: LP T-Track Mounts are super low-profile and may require flipping the River Quiver upside down to avoid the Reel Box hitting the roof of your vehicle. If flipping is required, you can remove and reapply the Riversmith dome tag located on the reel box so it reads right side up. In Step 3 ensure River Quiver stickers on front half of the extrusions read right side up.



STANDARD INSTALLATION



FLIPPED INSTALLATION



Dome Tag



River Quiver
Sticker

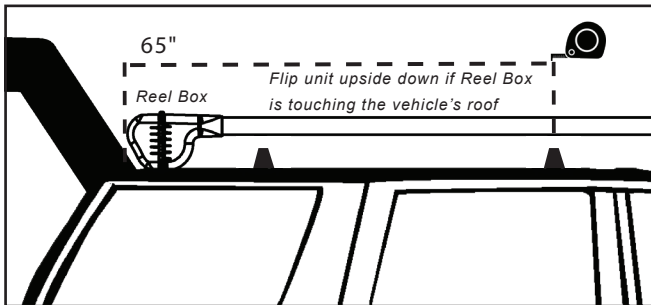
STEP 1

Prepare Vehicle - DO NOT ASSEMBLE RIVER QUIVER HALVES UNTIL STEP 3

1

Measure from center of front T-track crossbar to estimated location of the River Quiver reel box. Generally it is best to spread vehicle crossbars as far as possible.

- If 65" or less both LP T-Track Mounts will go on the reel box side of the coupler.
- If more than 65" one LP T-Track Mount will go on each half of the river quiver. This installation is preferred when possible.

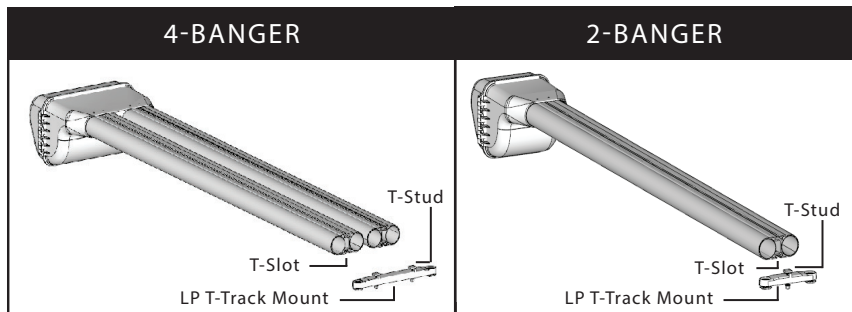


STEP 2

Install LP T-Track Mounts to River Quiver

2

Insert LP T-Track Mounts into appropriate side of River Quiver by placing T-Stud of LP T-Track Mounts into T-Slot of River Quiver body.



STEP 3

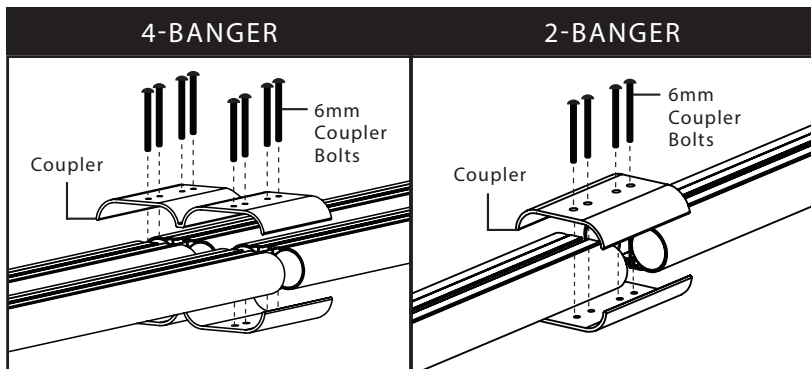
Join the Halves

3

Place River Quiver on flat surface and join halves using upper and lower coupler and coupler bolts. Tighten all bolts evenly back and forth using T27 "L" wrench to equalize tension on collar.

▲ DO NOT OVERTIGHTEN OR DAMAGE WILL OCCUR

STEP 3



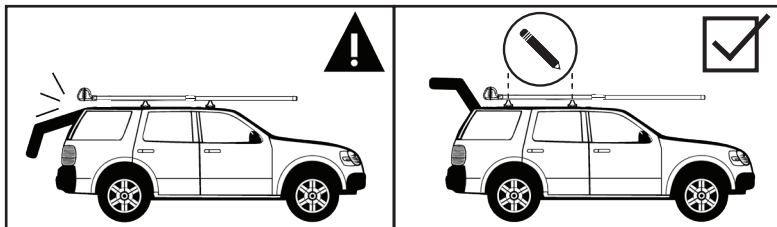
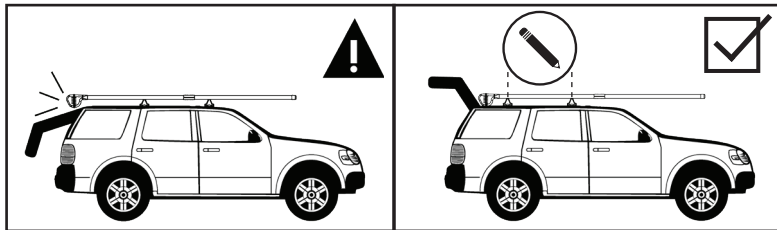
STEP 4

Placing River Quiver on Your Vehicle

4

Place River Quiver on vehicle, optimizing side to side and front to back location. Monitor interference of rear hatches or doors.

- Mark River Quiver where LP T-Track Mounts should be positioned to attach to vehicle t-track crossbars.



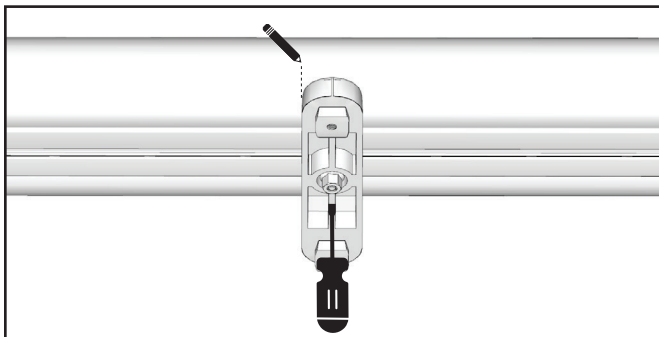
STEP 5

Tighten Nuts

5

Remove from vehicle and tighten nuts on T-Studs using 10mm nut driver so LP T-Track Mounts align with marks made previously.

▲ DO NOT OVERTIGHTEN OR DAMAGE WILL OCCUR



STEP 5

STEP 6

Attach Mounting Brackets

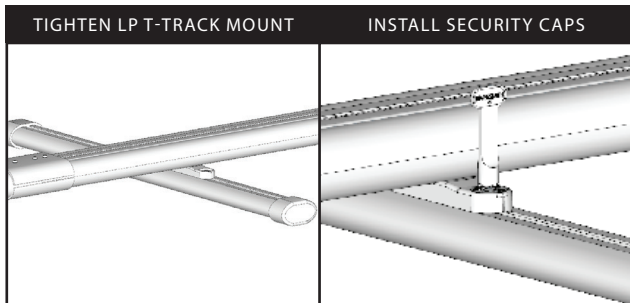
6

Place River Quiver back on vehicle by sliding the LP T-Track Mounts into T-track cross bars. Tighten Mounting Bracket Bolts evenly on each side, one LP T-Track Mount to the next with 4mm hex wrench. After fully tightening the bolts, install Security Caps over each bolt using the Security Key. The top of the Security Caps should be flush with top of LP T-Track Mount.

Once installed check for security and function of River Quiver.

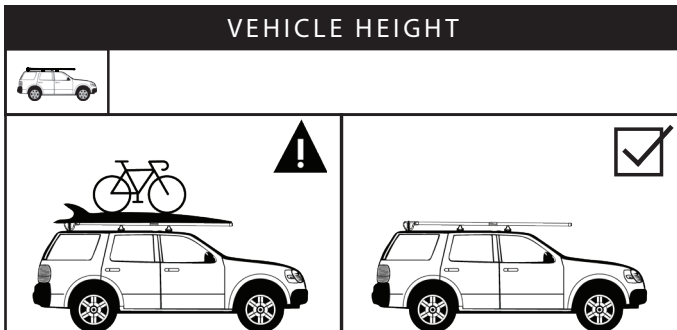


DO NOT OVERTIGHTEN OR DAMAGE



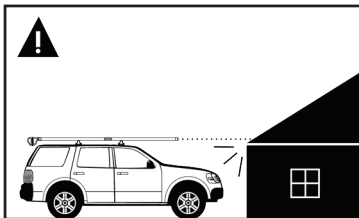
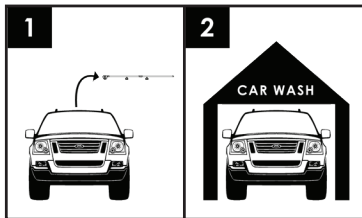
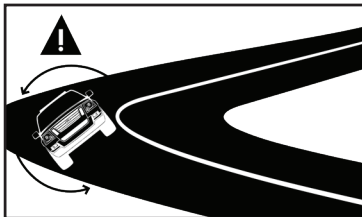
SAFETY INFORMATION

- Improperly secured loads and incorrectly mounted racks or accessories can come loose causing damage to property, serious injury, or death.
- Always place crossbars as far apart as possible before mounting River Quiver.
- Check all rack and accessory hardware:
 - Before any trips
 - After a short drive following initial install
 - At regular intervals during use
 - Anytime rough terrain is encountered
- Do not exceed maximum vehicle roof loads or roof rack capacities.
- Do not attach unauthorized accessories to River Quiver
- Record overall vehicle height with River Quiver in place.



DRIVING

- Do not exceed posted speed limits or speeds appropriate for the terrain and conditions.
- Off road driving is not recommended and could result in damage to vehicles, accessories, or gear.
- Closely monitor overhead clearances.
- Adjust speed for curves.
- Monitor wind conditions and adjust driving accordingly.



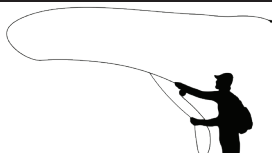
MAINTENANCE AND USE

- **River Quiver must be locked in order to function properly.**
- River Quiver should be cleaned regularly with mild soap and water for maximum longevity.
- Always travel with rod fully rigged in River Quiver.
- Periodically inspect River Quiver and vehicle rack for damage. Replace lost, damaged, or worn parts with original replacement parts from Riversmith.
- Any modifications made to the River Quiver or repairs made with parts other than those supplied by the manufacturer will void warranty and liability.
- To replace lost or damaged keys, record key/lock number and register product online at www.riversmith.com

KEY NUMBER					
					

Note: View Warranty, Register Product, and Watch Installation Tutorial at: www.riversmith.com

RIVER QUIVER IS A PRODUCT BY



RIVER QUIVER LOCKED & LOADED LIMITED LIFETIME WARRANTY

Riversmith takes pride in the products we manufacture and will warrant that all River Quiver Rooftop Fly Rod Holders will be free from defects in workmanship and materials for the life of the product to the original purchaser ("you"), subject to the below conditions:

- River Quiver was purchased from a Riversmith authorized dealer;
- You can provide proof of purchase from the Riversmith authorized dealer;
- The product was used only as intended and in accordance with the River Quiver installation guide.

If a defect occurs during intended use (according to the installation guide), we will replace, at our discretion, the defective product or part. The warranty does not cover defects caused by misuse, overloading, modifications, or improper assembly. Cosmetic damage, loss, theft, normal wear and tear, and the natural breakdown of colors and materials over time and use are not warranted. If damage is deemed outside of the scope of this warranty, replacement parts will be available at discounted prices.

Warranty Disclaimer:

UNDER NO CIRCUMSTANCES, WHETHER FOR BREACH OF WARRANTY, BREACH OF CONTRACT, NEGLIGENCE, OR OTHER TORT, OR ANY STRICT LIABILITY THEORY, WILL RIVERSMITH BE LIABLE FOR ANY INCIDENTAL OR CONSEQUENTIAL DAMAGES TO NON-RIVER QUIVER PRODUCTS USED IN CONJUNCTION WITH RIVER QUIVER PRODUCTS.

The warranty is only available in the United States. No Riversmith reseller, agent, or employee is authorized to make any modification, extension, or addition to this warranty.