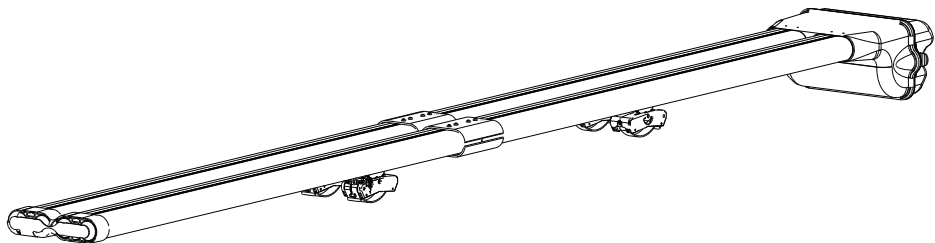




RIVERQUIVER

ROOFTOP FLY ROD HOLDER. LOCKED. LOADED. READY TO FISH.



INSTALLATION GUIDE WITH QUICK RELEASE MOUNTS

WWW.RIVERSMITH.COM

@RIVERSMITHUSA



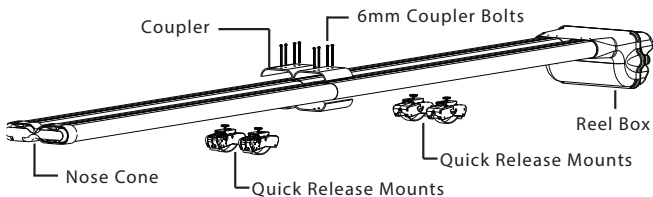
Patent Pending

CONTENTS

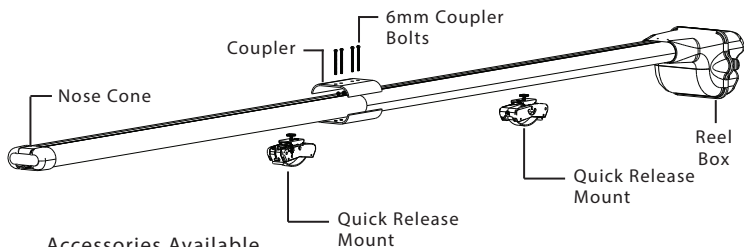
- 1 INCLUDED PARTS
- 2 TOOLS NEEDED
- 3 MOUNT ASSEMBLY
- 4 FLIPPING OVER RIVER QUIVER
- 5 STEP 1 - PREPARE VEHICLE
- 6 STEP 2 - INSTALL QUICK RELEASE MOUNTING BRACKETS
- 7 STEP 3 - JOIN THE HALVES
- 8 STEP 4 - PLACE ON YOUR VEHICLE
- 9 STEP 5 - TIGHTEN QUICK RELEASE MOUNTING BRACKETS
- 10 STEP 6 - TIGHTEN TENSION STRAPS
- 11 SAFETY INFORMATION
- 12 DRIVING
- 13 MAINTENANCE

INCLUDED PARTS

4-BANGER



2-BANGER



Accessories Available

- Rod Chairs
- Reel Box Pads

See full lineup of Accessories at www.riversmith.com

The River Quiver is built and tested to the highest possible standards to securely transport and protect your gear, however it is not meant as a long term storage solution.

TOOLS NEEDED



Marking
Utensil



Measuring
Tape

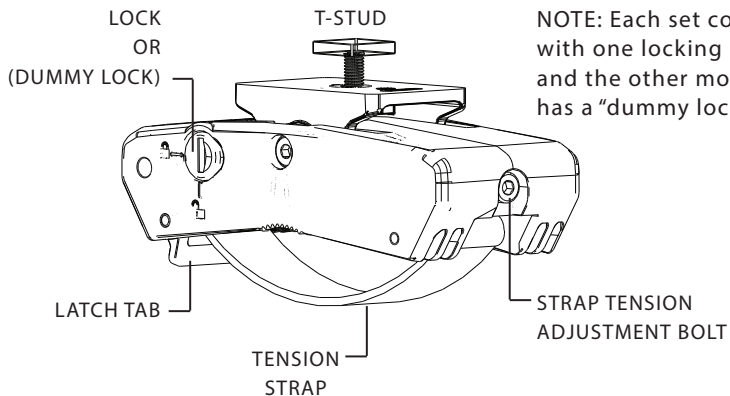


4mm
Hex Wrench

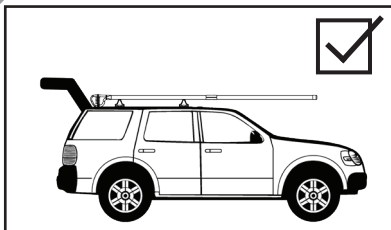


10mm
Nut Driver

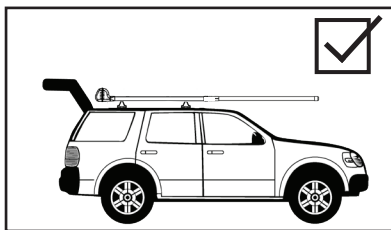
QUICK RELEASE MOUNT ASSEMBLY



NOTE: LP T-Track Mounts are lower profile than Standard Mounts, which may require flipping the River Quiver upside down to avoid the Reel Box hitting the roof of your vehicle. If flipping is required, you can remove and reapply the Riversmith dome tag located on the reel box so it reads right side up. In Step 3 ensure River Quiver stickers on front half of the extrusions read right side up.



STANDARD INSTALLATION



FLIPPED INSTALLATION



Dome Tag



River Quiver
Sticker

STEP 1

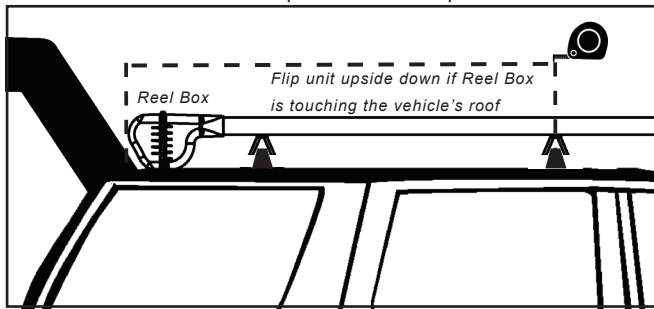
NOTE: Quick Release Mounts are lower-profile than Standard Mounts and may require flipping the River Quiver upside down to avoid the Reel Box hitting the roof of your vehicle.

Prepare Vehicle - DO NOT ASSEMBLE RIVER QUIVER HALVES UNTIL STEP 3

1

Measure from center of front crossbar to estimated location of the River Quiver reel box. Generally it is best to spread vehicle crossbars as far as possible.

- If 65" or less both Quick Release Mounts will go on the reel box side of the coupler.
- If more than 65" one Quick Release Mount will go on each half of the river quiver. This installation is preferred when possible.

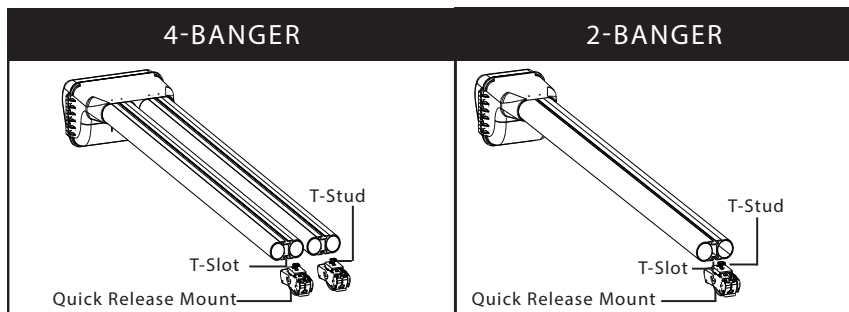


STEP 2

Install Quick Release Mounts to River Quiver

2

Insert Quick Release Mounts into appropriate side of River Quiver by placing T-Stud of Quick Release Mounts into T-Slot of River Quiver body.



STEP 3

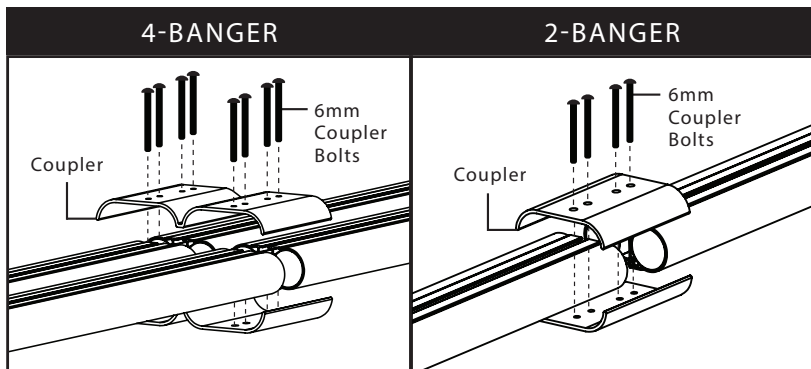
Join the Halves

3

Place River Quiver on flat surface and join halves using upper and lower coupler and coupler bolts. Tighten all bolts evenly back and forth using 4mm hex wrench to equalize tension on collar.

▲ DO NOT OVERTIGHTEN OR DAMAGE
WILL OCCUR

STEP 3



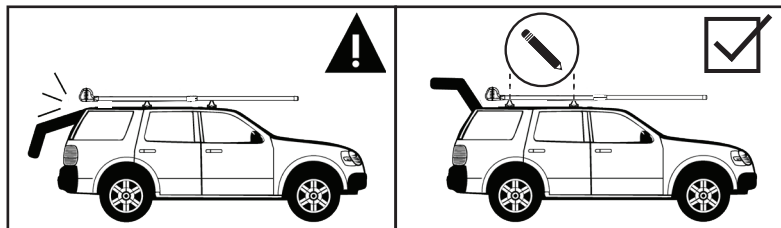
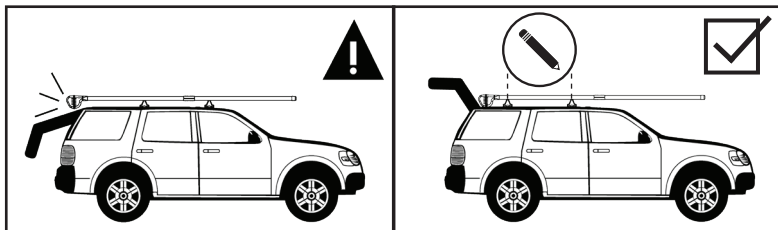
STEP 4

Placing River Quiver on Your Vehicle

4

Place River Quiver on vehicle, optimizing side to side and front to back location. Monitor interference of rear hatches or doors.

- Mark River Quiver where Quick Release Mounts should be positioned to attach to vehicle crossbars.



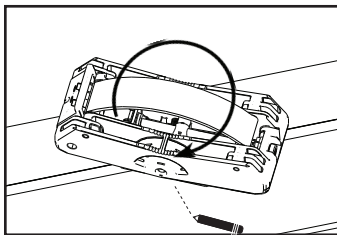
STEP 5

Tighten Mounts

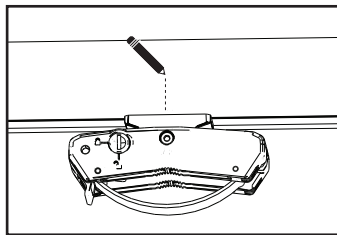
5

Remove from vehicle and rotate the entire Quick Release Mount clockwise until secure and parallel with the extrusion. Ensure each mount aligns with marks made previously. Repeat for each mount.

▲ DO NOT OVERTIGHTEN OR DAMAGE
MAY OCCUR



ROTATE CLOCKWISE TO TIGHTEN
(view shown from underside)



CORRECT SECURE ALIGNMENT

STEP 6

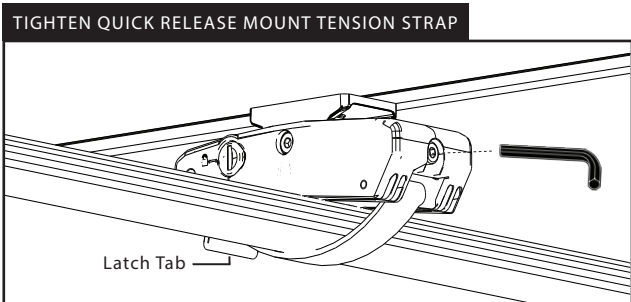
Tighten Tension Strap

6

Place River Quiver back on vehicle aligning each Quick Release Mount with the cross bars. Adjust the tension bolt for each tension strap with 4mm hex wrench until you are able to turn down each latch tab with secure tension around the cross bars. After fully securing each Quick Release Mount tension strap, lock the locking mounts with key provided.

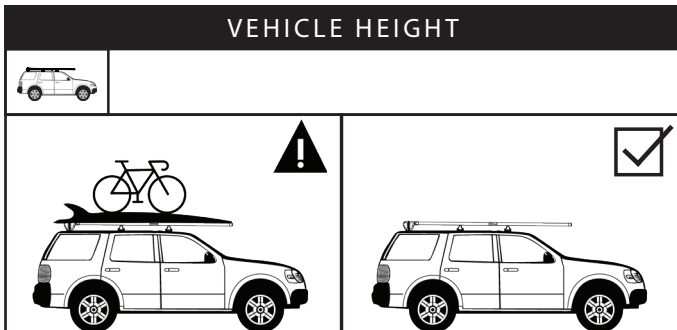
Once installed check for security and function of River Quiver.

**⚠ DO NOT OVERTIGHTEN OR DAMAGE
WILL OCCUR**



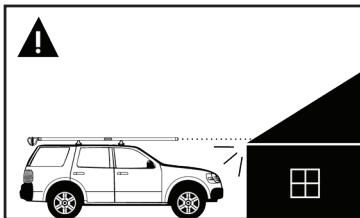
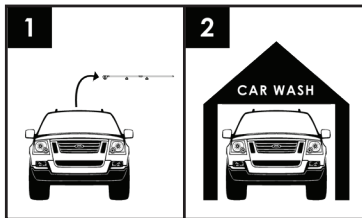
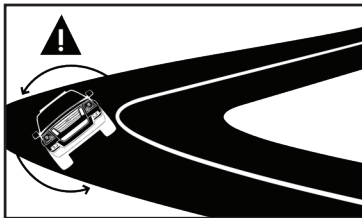
SAFETY INFORMATION

- Improperly secured loads and incorrectly mounted racks or accessories can come loose causing damage to property, serious injury, or death.
- Always place crossbars as far apart as possible before mounting River Quiver.
- Check all rack and accessory hardware:
 - Before any trips
 - After a short drive following initial install
 - At regular intervals during use
 - Anytime rough terrain is encountered
- Do not exceed maximum vehicle roof loads or roof rack capacities.
- Do not attach unauthorized accessories to River Quiver
- Record overall vehicle height with River Quiver in place.



DRIVING

- Do not exceed posted speed limits or speeds appropriate for the terrain and conditions.
- Off road driving is not recommended and could result in damage to vehicles, accessories, or gear.
- Closely monitor overhead clearances.
- Adjust speed for curves.
- Monitor wind conditions and adjust driving accordingly.



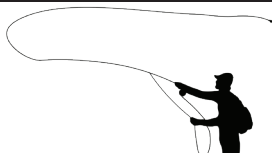
MAINTENANCE AND USE

- River Quiver should be cleaned regularly with mild soap and water for maximum longevity.
- Always travel with rod fully rigged in River Quiver.
- Periodically inspect River Quiver and vehicle rack for damage. Replace lost, damaged, or worn parts with original replacement parts from Riversmith.
- Any modifications made to the River Quiver or repairs made with parts other than those supplied by the manufacturer will void warranty and liability.
- To replace lost or damaged keys, record key/lock number and register product online at www.riversmith.com

KEY NUMBER					
					

Note: View Warranty, Register Product, and Watch Installation Tutorial at: www.riversmith.com

RIVER QUIVER IS A PRODUCT BY



RIVER QUIVER LOCKED & LOADED LIMITED LIFETIME WARRANTY

Riversmith takes pride in the products we manufacture and will warrant that all River Quiver Rooftop Fly Rod Holders will be free from defects in workmanship and materials for the life of the product to the original purchaser ("you"), subject to the below conditions:

- River Quiver was purchased from a Riversmith authorized dealer;
- You can provide proof of purchase from the Riversmith authorized dealer;
- The product was used only as intended and in accordance with the River Quiver installation guide.

If a defect occurs during intended use (according to the installation guide), we will replace, at our discretion, the defective product or part. The warranty does not cover defects caused by misuse, overloading, modifications, or improper assembly. Cosmetic damage, loss, theft, normal wear and tear, and the natural breakdown of colors and materials over time and use are not warranted. If damage is deemed outside of the scope of this warranty, replacement parts will be available at discounted prices.

Warranty Disclaimer:

UNDER NO CIRCUMSTANCES, WHETHER FOR BREACH OF WARRANTY, BREACH OF CONTRACT, NEGLIGENCE, OR OTHER TORT, OR ANY STRICT LIABILITY THEORY, WILL RIVERSMITH BE LIABLE FOR ANY INCIDENTAL OR CONSEQUENTIAL DAMAGES TO NON-RIVER QUIVER PRODUCTS USED IN CONJUNCTION WITH RIVER QUIVER PRODUCTS.

The warranty is only available in the United States. No Riversmith reseller, agent, or employee is authorized to make any modification, extension, or addition to this warranty.