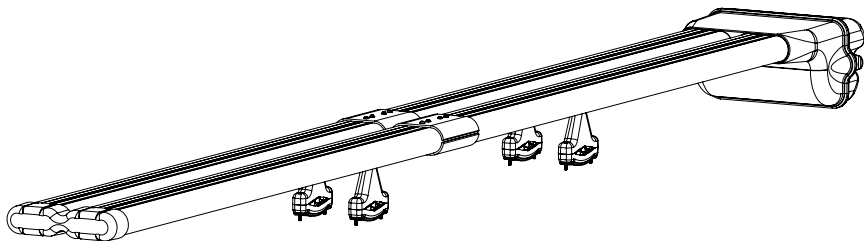




---

ROOFTOP FLY ROD HOLDER. LOCKED. LOADED. READY TO FISH.



## INSTALLATION GUIDE

---

[WWW.RIVERSMITH.COM](http://WWW.RIVERSMITH.COM)

[@RIVERSMITHUSA](https://twitter.com/RIVERSMITHUSA)



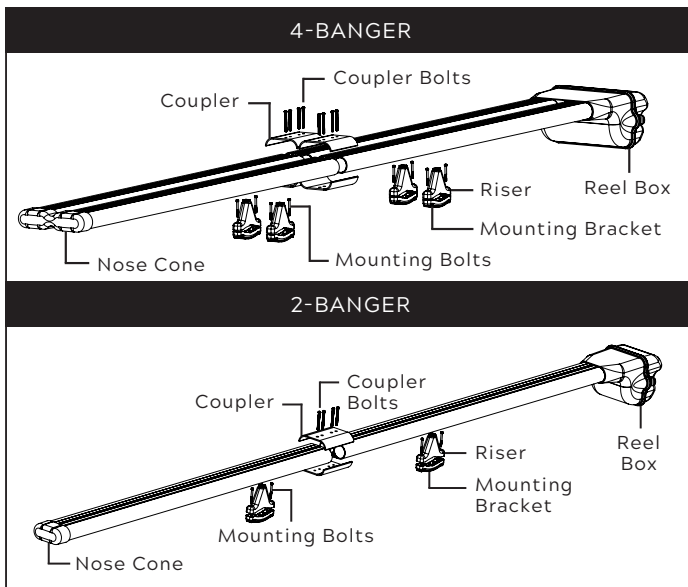
Patent Pending

# CONTENTS

---

- 1 INCLUDED PARTS
- 2 TOOLS NEEDED
- 3 STEP 1 - PREPARE VEHICLE
- 4 STEP 2 - INSTALL RISERS
- 5 STEP 3 - JOIN THE HALVES
- 6 STEP 4 - PLACE ON YOUR VEHICLE
- 7 STEP 5 - TIGHTEN RISERS
- 8 STEP 6 - ATTACH MOUNTING BRACKETS
- 9 SAFETY INFORMATION
- 10 DRIVING
- 11 MAINTENANCE

# INCLUDED PARTS



PARTS

## Accessories Available

- Spacer Kit
- River Quiver Mount Lock

See full lineup of Accessories at [www.riversmith.com](http://www.riversmith.com)

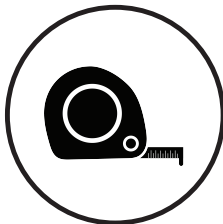
The River Quiver is built and tested to the highest possible standards to securely transport and protect your gear, however it is not meant as a long term storage solution.

## TOOLS NEEDED

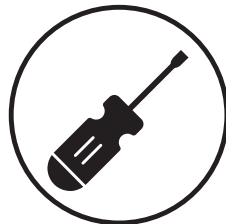
---



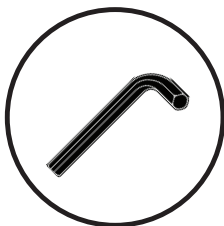
Marking Utensil



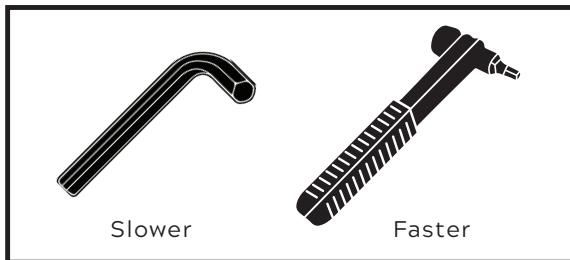
Measuring Tape



10mm Nut Driver



T27 "L" Wrench



Slower

Faster

4MM Allen Wrench or Riversmith Mini Ratchet

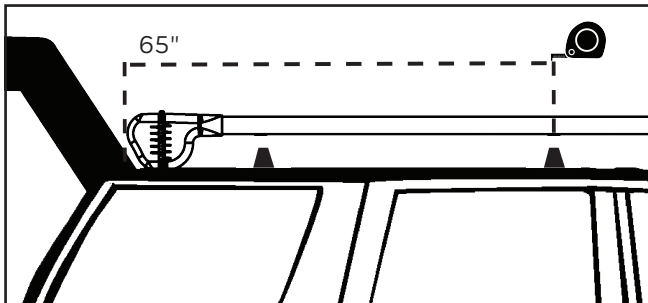
# STEP 1

Note: View Warranty, Register Product, and Watch Installation Tutorial at: [www.riversmith.com](http://www.riversmith.com)

Prepare Vehicle - DO NOT ASSEMBLE RIVER QUIVER HALVES UNTIL STEP 3

1 Measure from center of front crossbar to estimated location of the River Quiver reel box. Generally it is best to spread vehicle crossbars as far as possible.

- If 65" or less both risers will go on the reel box side of the coupler.
- If more than 65" one riser will go on each half of the river quiver. This installation is preferred when possible.

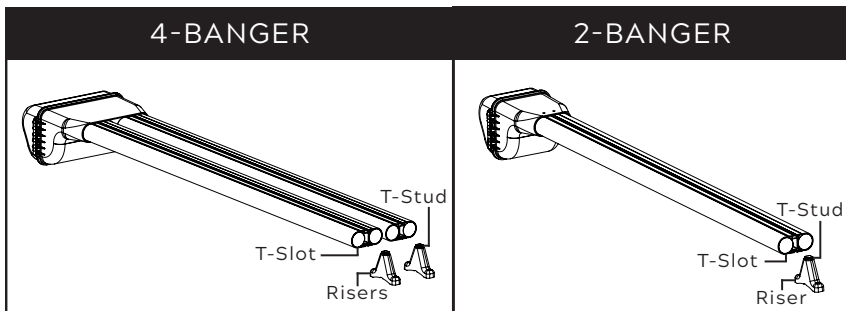


## STEP 2

Install Risers to River Quiver

2

Insert Risers into appropriate side of River Quiver by placing T-Stud of Riser into T-Slot of River Quiver body.

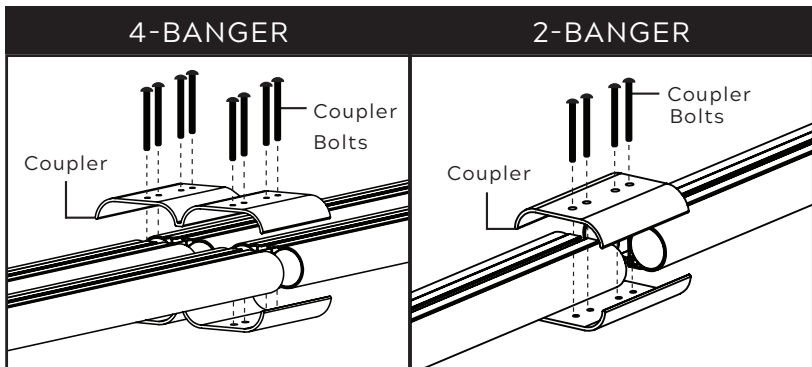


## STEP 3

### Join the Halves

- 3 Place River Quiver on flat surface and join halves using upper and lower coupler and coupler bolts. Tighten all bolts evenly back and forth using T27 "L" wrench to equalize tension on collar.

▲ DO NOT OVERTIGHTEN OR DAMAGE  
WILL OCCUR



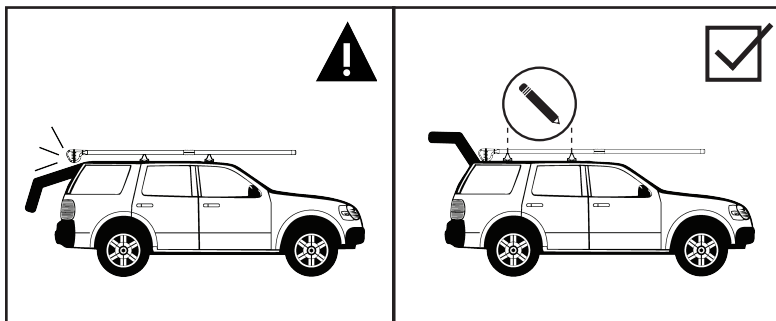
## STEP 4

### Placing River Quiver on Your Vehicle

4

Place River Quiver on vehicle, optimizing side to side and front to back location. Monitor interference of rear hatches or doors.

- Spacer kits are available to increase height if needed.
- Mark River Quiver where risers should be positioned to attach to vehicle crossbars.





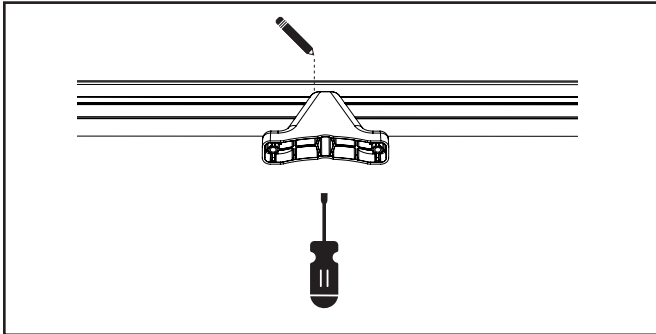
## STEP 5

### Tighten Nuts

5

Remove from vehicle and tighten nuts on T-Studs using 10mm nut driver so risers align with marks made previously.

▲ DO NOT OVERTIGHTEN OR DAMAGE WILL OCCUR

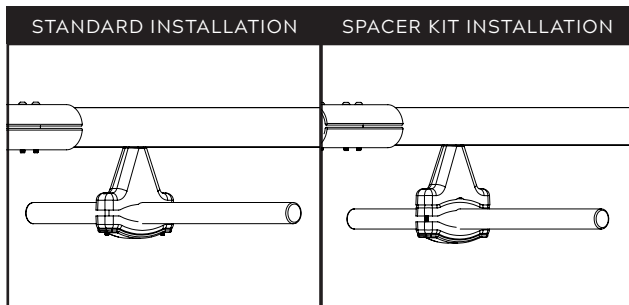


## STEP 6

### Attach Mounting Brackets

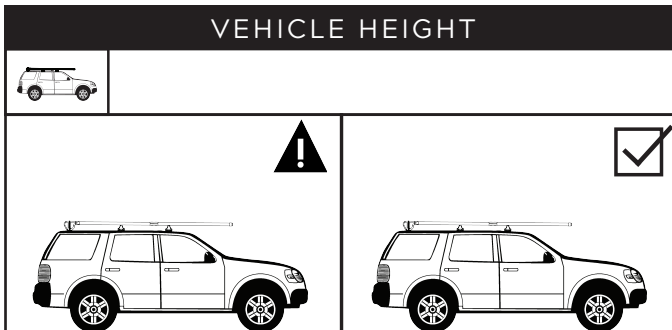
- Place River Quiver back on vehicle and attach Mounting Brackets to Risers. Tighten Mounting Bracket Bolts or Mounting Bracket Locking Hardware evenly from side to side, one riser to the next with 4mm hex wrench or locking hardware key. Once installed check for security and function of River Quiver.

**▲ DO NOT OVERTIGHTEN OR DAMAGE WILL OCCUR**



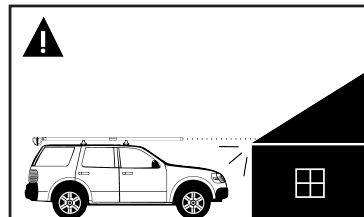
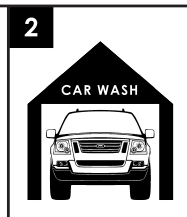
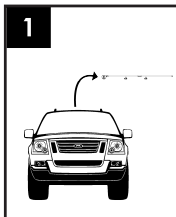
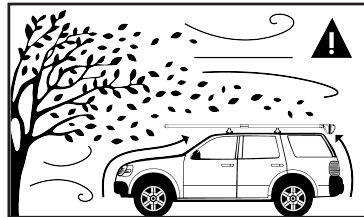
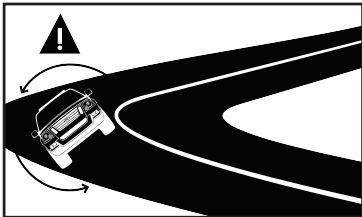
# SAFETY INFORMATION

- Improperly secured loads and incorrectly mounted racks or accessories can come loose causing damage to property, serious injury, or death.
- Always place crossbars as far apart as possible before mounting River Quiver.
- Check all rack and accessory hardware:
  - Before any trips
  - After a short drive following initial install
  - At regular intervals during use
  - Anytime rough terrain is encountered
- Do not exceed maximum vehicle roof loads or roof rack capacities.
- Do not attach unauthorized accessories to River Quiver.
- Record overall vehicle height with River Quiver in place.



# DRIVING

- Do not exceed posted speed limits or speeds appropriate for the terrain and conditions.
- Off road driving is not recommended and could result in damage to vehicles, accessories, or gear.
- Closely monitor overhead clearances.
- Adjust speed for curves.
- Monitor wind conditions and adjust driving accordingly.



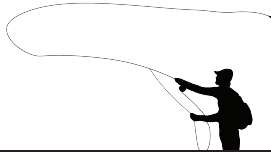
# MAINTENANCE AND USE

---

- **River Quiver must be locked in order to function properly.**
- River Quiver should be cleaned regularly with mild soap and water for maximum longevity.
- Always travel with rod fully rigged in River Quiver.
- Periodically inspect River Quiver and vehicle rack for damage. Replace lost, damaged, or worn parts with original replacement parts from Riversmith.
- Any modifications made to the River Quiver or repairs made with parts other than those supplied by the manufacturer will void warranty and liability.
- To replace lost or damaged keys, record key/lock number and register product online at [www.riversmith.com](http://www.riversmith.com)

KEY NUMBER					
					

— RIVER QUIVER IS A PRODUCT BY —



## RIVER QUIVER LOCKED & LOADED LIMITED LIFETIME WARRANTY

Riversmith takes pride in the products we manufacture and will warrant that all River Quiver Rooftop Fly Rod Holders will be free from defects in workmanship and materials for the life of the product to the original purchaser ("you"), subject to the below conditions:

- River Quiver was purchased from a Riversmith authorized dealer;
- You can provide proof of purchase from the Riversmith authorized dealer;
- The product was used only as intended and in accordance with the River Quiver installation guide.

If a defect occurs during intended use (according to the installation guide), we will replace, at our discretion, the defective product or part. The warranty does not cover defects caused by misuse, overloading, modifications, or improper assembly. Cosmetic damage, loss, theft, normal wear and tear, and the natural breakdown of colors and materials over time and use are not warranted. If damage is deemed outside of the scope of this warranty, replacement parts will be available at discounted prices.

### Warranty Disclaimer:

UNDER NO CIRCUMSTANCES, WHETHER FOR BREACH OF WARRANTY, BREACH OF CONTRACT, NEGLIGENCE, OR OTHER TORT, OR ANY STRICT LIABILITY THEORY, WILL RIVERSMITH BE LIABLE FOR ANY INCIDENTAL OR CONSEQUENTIAL DAMAGES TO NON-RIVER QUIVER PRODUCTS USED IN CONJUNCTION WITH RIVER QUIVER PRODUCTS.

The warranty is only available in the United States. No Riversmith reseller, agent, or employee is authorized to make any modification, extension, or addition to this warranty.