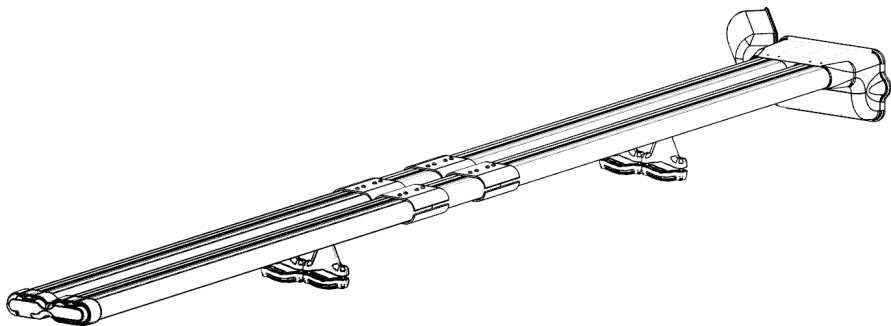




RIVERQUIVER

EURO EXTENSION KIT FOR RIVER QUIVERS



INSTALLATION INSTRUCTIONS

WWW.RIVERSMITH.COM

@RIVERSMITHUSA



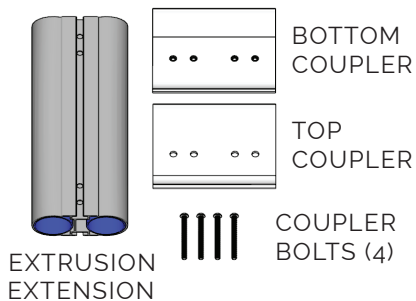
Patent Pending

CONTENTS

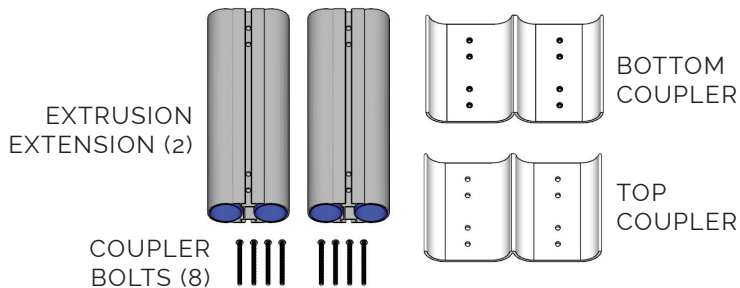
- 1 INCLUDED PARTS
- 2 TOOLS NEEDED
- 3 STEP 1 - SEPARATE RIVER QUIVER HALVES
- 4 STEP 2 - INSTALL EURO EXTRUSION EXTENSION(S)
- 5 STEP 3 - ADJUST MOUNTING BRACKETS - IF NEEDED
- 6 STEP 4 - REINSTALL THE RIVER QUIVER ON VEHICLE
- 7 SAFETY INFORMATION
- 8 DRIVING
- 9 MAINTENANCE

INCLUDED PARTS

2-BANGER EURO EXTENSION KIT



4-BANGER EURO EXTENSION KIT



TOOLS NEEDED



Marking
Utensil



Measuring
Tape



4mm Hex
Wrench



10mm Nut
Driver

WARNING:

DO NOT INSTALL MORE THAN ONE INSTALLATION KIT ON ANY STANDARD RIVER QUIVER. EURO EXTENSION KITS ARE NOT TO BE USED ON RIVER QUIVERS THAT ARE 11'-4" OR LONGER.

NOTE:

IF BOTH MOUNTING BRACKETS ARE ON THE BACK HALF OF YOUR RIVER QUIVER, YOU DO NOT NEED TO REMOVE THE UNIT FROM YOUR VEHICLE. HOWEVER, IF A MOUNTING BRACKET IS ON BOTH THE FRONT AND BACK HALVES OF THE RIVER QUIVER, YOU WILL NEED TO FULLY REMOVE THE UNIT FROM YOUR VEHICLE AND READJUST THE MOUNTING BRACKETS TO ALIGN WITH CROSSBARS AFTER INSTALLATION OF THE EURO EXTRUSION EXTENSION(S).

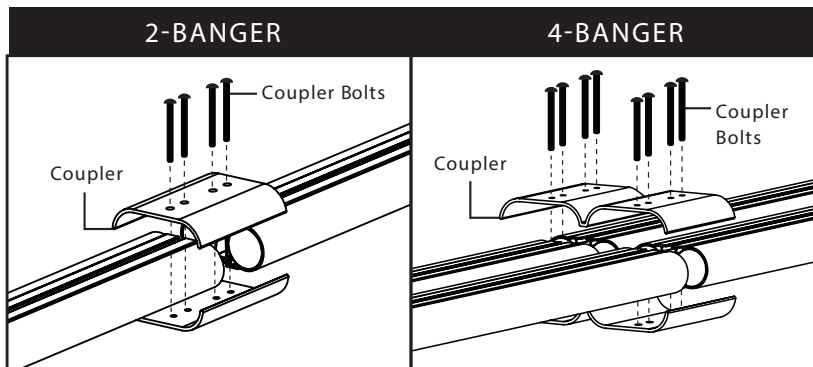
STEP 1

Separate the two River Quiver halves

1

Use a 4mm hex wrench to remove the existing coupler bolts from the coupler. Remove the top and bottom coupler, then separate the two halves of the River Quiver.

STEP 1

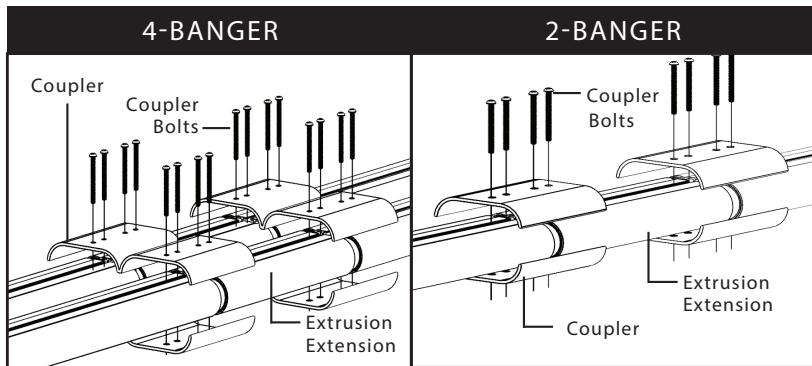


STEP 2

Install the Euro Extrusion Extension between the two River Quiver halves.

2

Install the Euro Extrusion Extension(s) between the two River Quiver halves. Use the original couplers that were removed in STEP 1 as well as the additional set of couplers provided in the Euro Extension Kit. Fully tighten all coupler bolts evenly back and forth using a 4mm hex wrench to equalize tension on each collar.



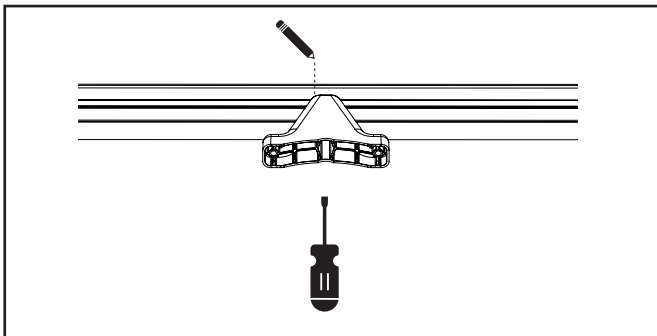
STEP 3

Adjust Mounting Brackets (If needed)

5

If fully removing the River Quiver was required to install the Euro Extrusion Extension(s), then the Mounting Brackets will need to be adjusted to match the cross bars. Use 10mm Nut Driver to loosen the nut in the bottom of the Riser, slide Riser along T-track to desired location, and then retighten

▲ DO NOT OVERTIGHTEN OR DAMAGE
COULD OCCUR



STEP 3

5

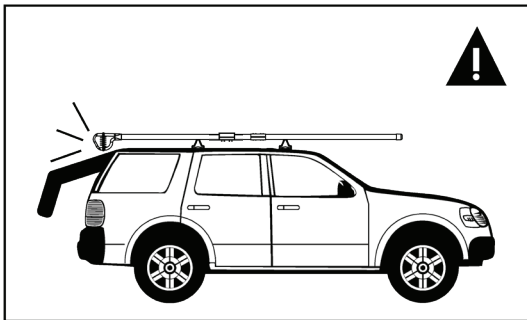
STEP 4

Reinstall the River Quiver on your vehicle

3

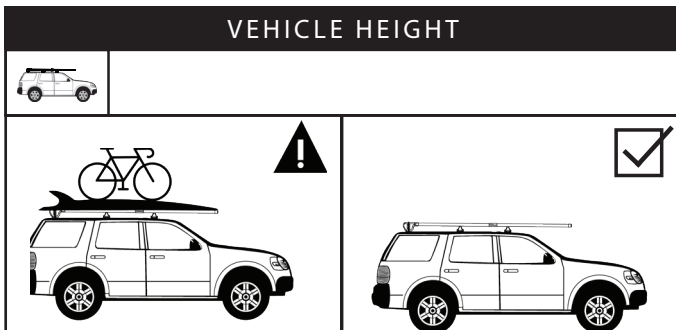
Place River Quiver back on vehicle ensuring that the Reel Box does not block the trunk hatch. Attach Mounting Brackets to Risers. Tighten Mounting Hardware evenly from side to side, one riser to the next with 4mm hex wrench or locking hardware key. Once installed check for security and function of River Quiver.

- DO NOT OVERTIGHTEN OR DAMAGE WILL OCCUR



SAFETY INFORMATION

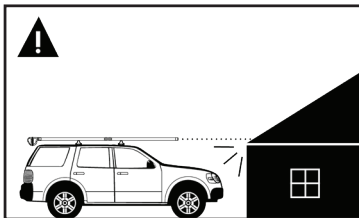
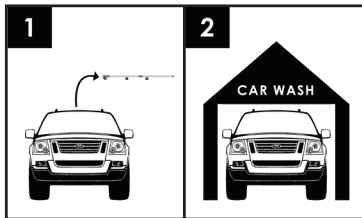
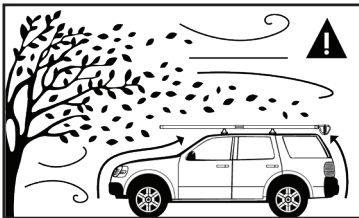
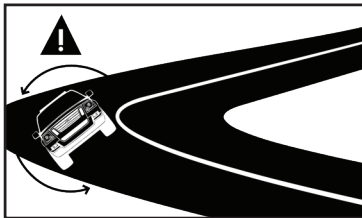
- Improperly secured loads and incorrectly mounted racks or accessories can come loose causing damage to property, serious injury, or death.
- Always place crossbars as far apart as possible before mounting River Quiver.
- Check all rack and accessory hardware:
 - Before any trips
 - After a short drive following initial install
 - At regular intervals during use
 - Anytime rough terrain is encountered
- Do not exceed maximum vehicle roof loads or roof rack capacities.
- Do not attach unauthorized accessories to River Quiver
- Record overall vehicle height with River Quiver in place.



The River Quiver Rod Holder is built and tested to the highest possible standards to securely transport and protect your gear, however it is not meant as a long term storage solution.


DRIVING

- Do not exceed posted speed limits or speeds appropriate for the terrain and conditions.
- Off road driving is not recommended and could result in damage to vehicles, accessories, or gear.
- Closely monitor overhead clearances.
- Adjust speed for curves.
- Monitor wind conditions and adjust driving accordingly.

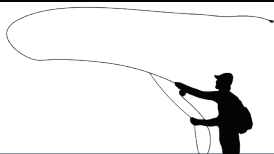


MAINTENANCE AND USE

- **River Quiver must be locked in order to function properly.**
- River Quiver should be cleaned regularly with mild soap and water for maximum longevity.
- Always travel with rod fully rigged in River Quiver.
- Periodically inspect River Quiver and vehicle rack for damage. Replace lost, damaged, or worn parts with original replacement parts from Riversmith.
- Any modifications made to the River Quiver or repairs made with parts other than those supplied by the manufacturer will void warranty and liability.
- To replace lost or damaged keys, record key/lock number and register product online at www.riversmith.com

KEY NUMBER					
					

EURO EXTENSION KIT IS A PRODUCT BY



LOCKED & LOADED
LIMITED LIFETIME WARRANTY

Riversmith takes pride in the products we manufacture and will warrant that all Rod Holders will be free from defects in workmanship and materials for the life of the product to the original purchaser ("you"), subject to the below conditions:

- Euro Extension Kit was purchased from a Riversmith authorized dealer;
- You can provide proof of purchase from the Riversmith authorized dealer;
- The product was used only as intended and in accordance with the Euro Extension Kit installation guide.

If a defect occurs during intended use (according to the installation guide), we will replace, at our discretion, the defective product or part. The warranty does not cover defects caused by misuse, overloading, modifications, or improper assembly. Cosmetic damage, loss, theft, normal wear and tear, and the natural breakdown of colors and materials over time and use are not warranted. If damage is deemed outside of the scope of this warranty, replacement parts will be available at discounted prices.

Warranty Disclaimer:

UNDER NO CIRCUMSTANCES, WHETHER FOR BREACH OF WARRANTY, BREACH OF CONTRACT, NEGLIGENCE, OR OTHER TORT, OR ANY STRICT LIABILITY THEORY, WILL RIVERSMITH BE LIABLE FOR ANY INCIDENTAL OR CONSEQUENTIAL DAMAGES TO NON-RIVER QUIVER PRODUCTS USED IN CONJUNCTION WITH RIVER QUIVER PRODUCTS.

The warranty is only available in the United States. No Riversmith reseller, agent, or employee is authorized to make any modification, extension, or addition to this warranty.