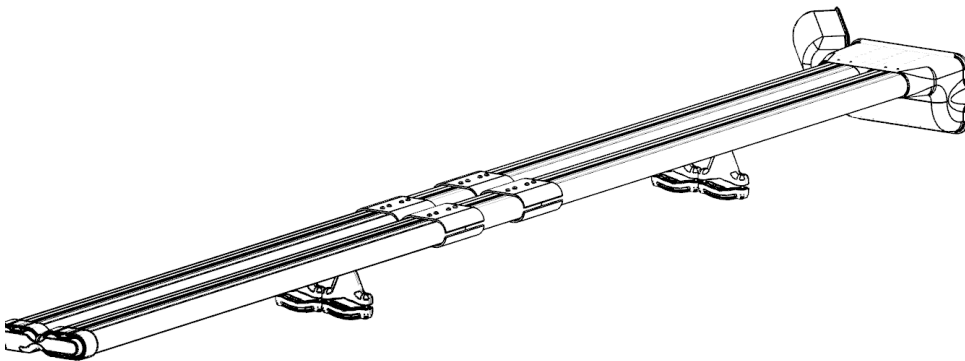


EURO EXTENSION KIT FOR RIVER QUIVERS



INSTALLATION INSTRUCTIONS

WWW.RIVERSMITH.COM

@RIVERSMITHUSA



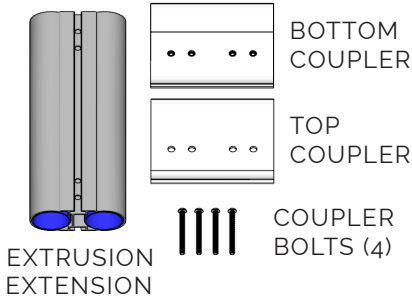
Patent Pending

CONTENTS

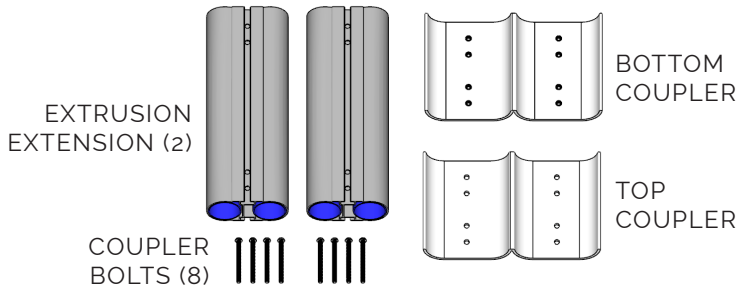
- 1 INCLUDED PARTS
- 2 TOOLS NEEDED
- 3 STEP 1 - SEPARATE RIVER QUIVER HALVES
- 4 STEP 2 - INSTALL EURO EXTRUSION EXTENSION(S)
- 5 STEP 3 - REINSTALL THE RIVER QUIVER ON VEHICLE
- 6 SAFETY INFORMATION
- 7 DRIVING

INCLUDED PARTS

2-BANGER EURO EXTENSION KIT



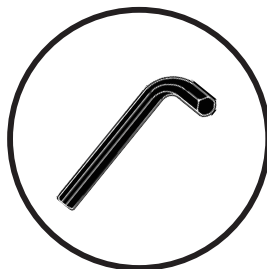
4-BANGER EURO EXTENSION KIT



The River Quiver Rod Holder is built and tested to the highest possible standards to securely transport and protect your gear, however it is not meant as a long term storage solution.

PARTS

TOOLS NEEDED



4 MM HEX KEY
OR MINI RATCHET (sold at Riversmith.com)

NOTE:

IF BOTH MOUNTING BRACKETS ARE ON THE BACK HALF OF YOUR RIVER QUIVER, YOU DO NOT NEED TO REMOVE THE UNIT FROM YOUR VEHICLE. HOWEVER, IF A MOUNTING BRACKET IS ON BOTH THE FRONT AND BACK HALVES OF THE RIVER QUIVER, YOU WILL NEED TO FULLY REMOVE THE UNIT FROM YOUR VEHICLE AND READJUST THE MOUNTING BRACKETS TO ALIGN WITH CROSSBARS AFTER INSTALLATION OF THE EURO EXTRUSION EXTENSION(S).

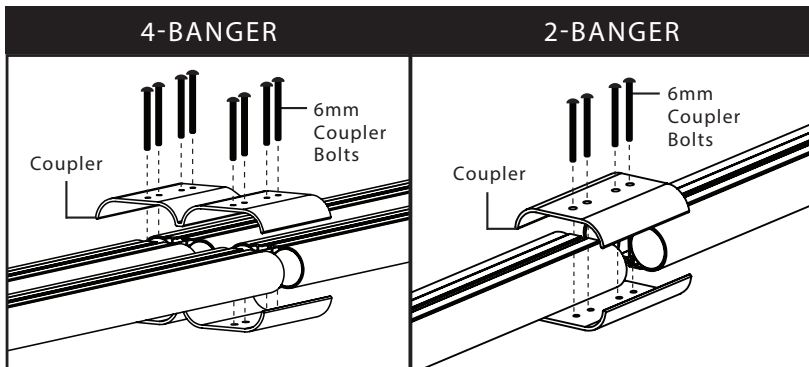
STEP 1

Separate the two River Quiver halves

1

Use a 4mm hex wrench to remove the existing coupler bolts from the coupler. Remove the top and bottom coupler, then separate the two halves of the River Quiver.

STEP 3



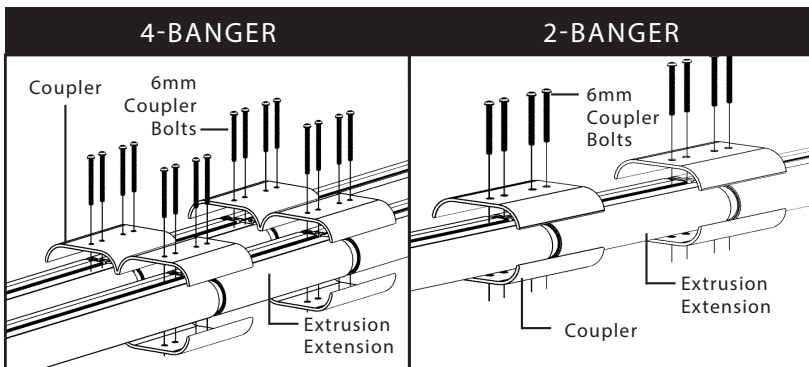
3

STEP 2

Install the Extrusion extension between the two River Quiver halves.

2

Install the Euro extrusion Extension(s) between the two River Quiver halves. Use the original couplers that were removed in STEP 1 as well as the additional set of couplers provided in the Euro Extension Kit. Fully tighten all coupler bolts evenly back and forth using a 4mm hex wrench to equalize tension on each collar.



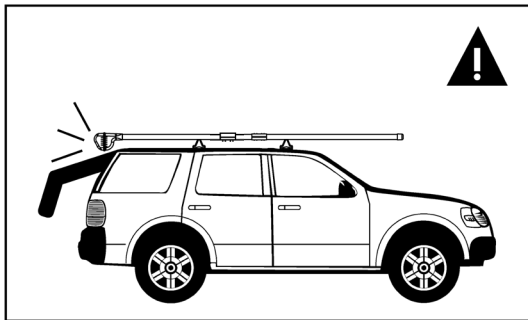
STEP 3

Reinstall the River Quiver on your vehicle

3

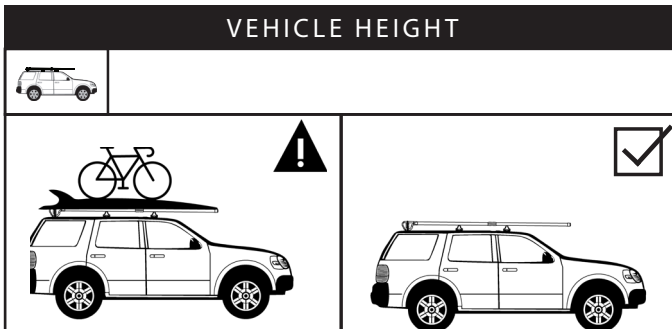
Place River Quiver back on vehicle ensuring that the Reel Box does not block the trunk hatch. Attach Mounting Brackets to Risers. Tighten Mounting Bracket Bolts or Mounting Bracket Locking Hardware evenly from side to side, one riser to the next with 4mm hex wrench or locking hardware key. Once installed check for security and function of River Quiver.

- DO NOT OVERTIGHTEN OR DAMAGE



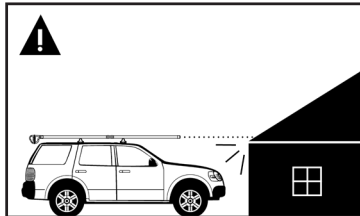
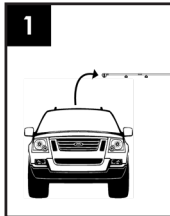
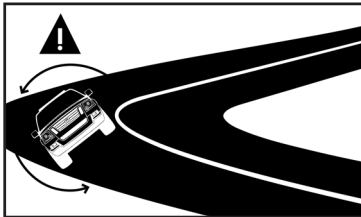
SAFETY INFORMATION

- Improperly secured loads and incorrectly mounted racks or accessories can come loose causing damage to property, serious injury, or death.
- Always place crossbars as far apart as possible before mounting River Quiver.
- Check all rack and accessory hardware:
 - Before any trips
 - After a short drive following initial install
 - At regular intervals during use
 - Anytime rough terrain is encountered
- Do not exceed maximum vehicle roof loads or roof rack capacities.
- Do not attach unauthorized accessories to River Quiver
- Record overall vehicle height with River Quiver in place.

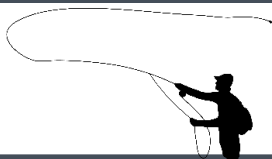


DRIVING

- Do not exceed posted speed limits or speeds appropriate for the terrain and conditions.
- Off road driving is not recommended and could result in damage to vehicles, accessories, or gear.
- Closely monitor overhead clearances.
- Adjust speed for curves.
- Monitor wind conditions and adjust driving accordingly.



EURO EXTENSION KIT IS A PRODUCT BY



LOCKED & LOADED LIMITED LIFETIME WARRANTY

Riversmith takes pride in the products we manufacture and will warrant that all Rod Holders will be free from defects in workmanship and materials for the life of the product to the original purchaser ("you"), subject to the below conditions:

- Euro Extension Kit was purchased from a Riversmith authorized dealer;
- You can provide proof of purchase from the Riversmith authorized dealer;
- The product was used only as intended and in accordance with the Euro Extension Kit installation guide.

If a defect occurs during intended use (according to the installation guide), we will replace, at our discretion, the defective product or part. The warranty does not cover defects caused by misuse, overloading, modifications, or improper assembly. Cosmetic damage, loss, theft, normal wear and tear, and the natural breakdown of colors and materials over time and use are not warranted. If damage is deemed outside of the scope of this warranty, replacement parts will be available at discounted prices.

Warranty Disclaimer:

UNDER NO CIRCUMSTANCES, WHETHER FOR BREACH OF WARRANTY, BREACH OF CONTRACT, NEGLIGENCE, OR OTHER TORT, OR ANY STRICT LIABILITY THEORY, WILL RIVERSMITH BE LIABLE FOR ANY INCIDENTAL OR CONSEQUENTIAL DAMAGES TO NON-RIVER QUIVER PRODUCTS USED IN CONJUNCTION WITH RIVER QUIVER PRODUCTS.

The warranty is only available in the United States. No Riversmith reseller, agent, or employee is authorized to make any modification, extension, or addition to this warranty.