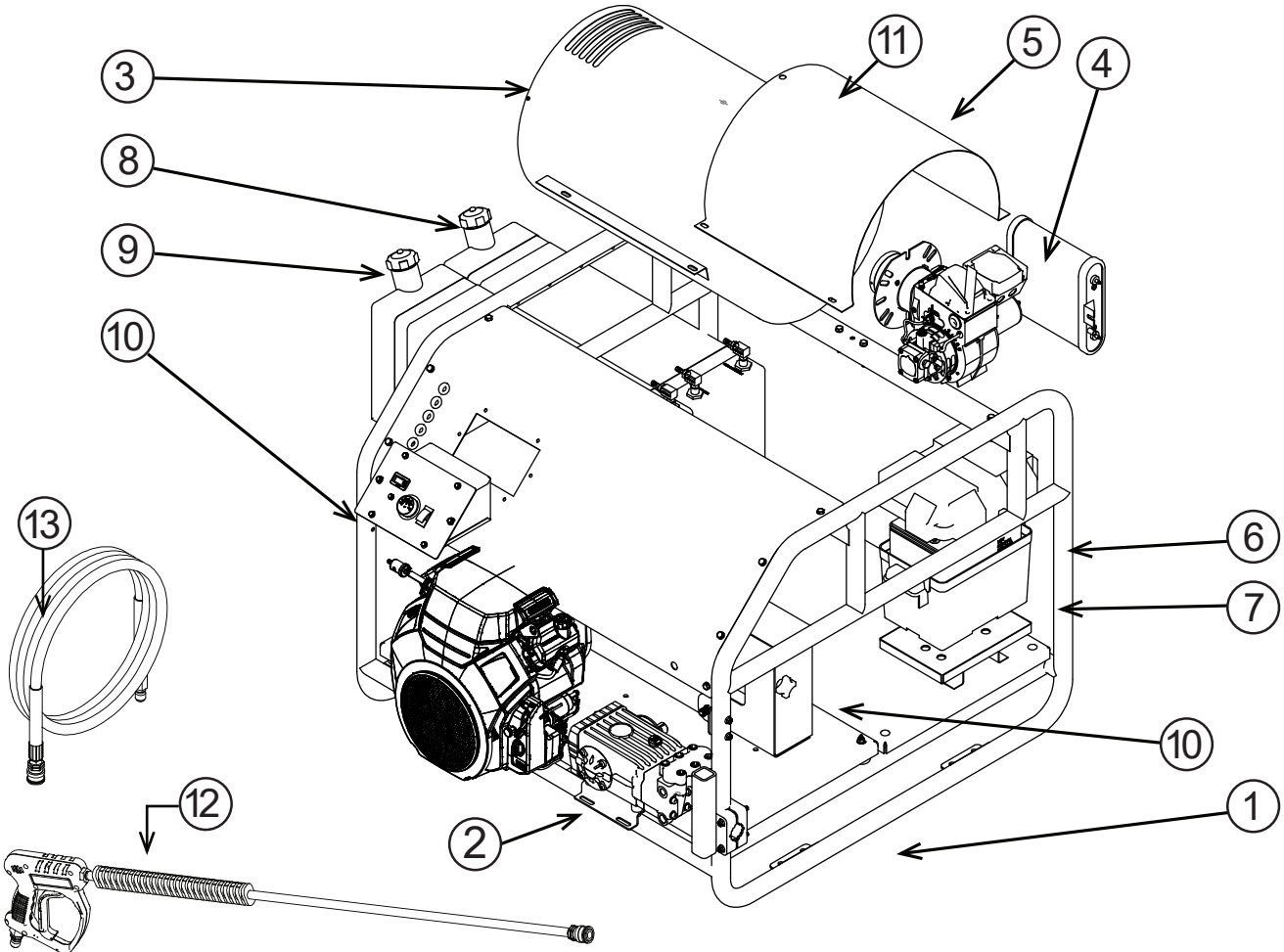




# HOT WATER PRESSURE WASHER BREAKDOWN

## HW3024HG12V & HW3524HG12V



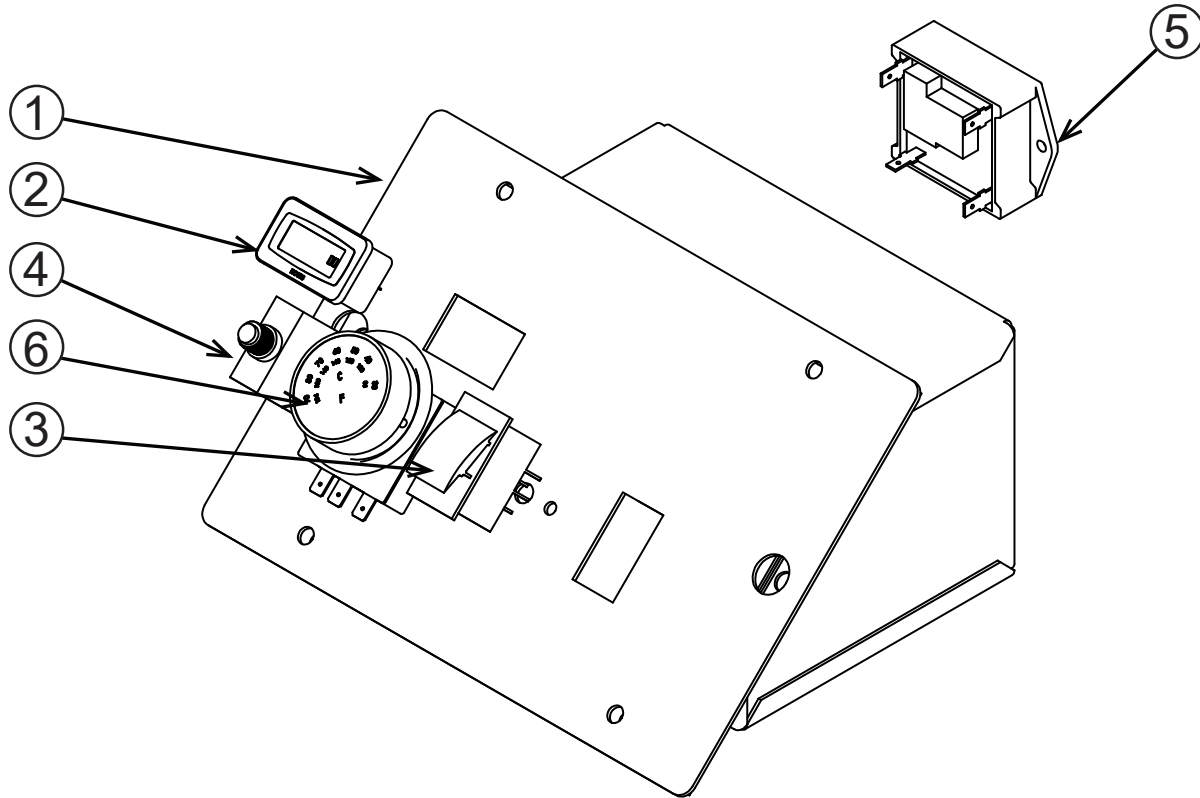
ITEM #.	PART #	DESCRIPTION	QTY.	PART #	DESCRIPTION	QTY.
1	85.600.221K	FRAME ASSEMBLY	1	AL607	UNLOADER, VRT3, 5.6GPM (3524HG12V)	1
2	85.130.071B	GENERAL PUMP TSF2021 8GPM (3024HG12V)	1	85.300.033	UNLOADER, VRT100, 8.0GPM (3024HG12V)	1
	85.130.026B	GENERAL PUMP TS2021 5.6GPM (3524HG12V)	1	85.300.082	PRESSURE SWITCH	1
3	59.000.200	COIL, HOT WASH 5.6GPM (3524HG12V)	1	85.300.088	EXPANSION VALVE	1
	59.000.208	COIL, HOT WASH 8GPM (3024HG12V)	1	47.002.045	BELTS 3VX450	4
4	59.110.016	BURNER / (12V ADC SERIES)	1	59.000.104	FUEL FILTER	2
5	59.000.201	BURNER HOOD; HOT WASH	1	85.550.063	ENGINE AIR FILTER	1
6	85.603.101	BATTERY BOX FOR SKID HW	1	85.550.064	ENGINE OIL FILTER	1
7	85.603.100	BATTERY, AGM, 12V, 80AH	1	85.550.065	ENGINE DIP STICK	1
8	85.601.040	14.4 GALLONS DIESEL FUEL TANK	1	85.550.066	ENGINE SPARK PLUG	2
9	85.601.041	14.4 GASOLINE FUEL TANK	1	85.550.008L	MUFFLER	1
10	85.602.222	BELT GUARD	1			
11	59.000.008	INSULATION	1			
12	85.205.066H	GUN	1			
13	85.238.251	HOSE	1			



# HOT WATER PRESSURE WASHER BREAKDOWN

HW3024HG12V & HW3524HG12V

## CONTROL PANEL BOX



ITEM #.	PART #	DESCRIPTION	QTY.
1	85.600.231	BURNER CONTROL BOX	1
2	59.000.206	HOUR METER	1
3	59.000.103	TOGGLE ON/OFF SWITCH FOR 12V BURNER (ADC SERIES)	1
4	85.504.026	PUSH TO RESET 25A CIRCUIT BREAKER (12V)	1
5	59.000.102	LOW VOLTAGE RELAY (12V)	1
6	85.400.071	THERMOSTAT	1

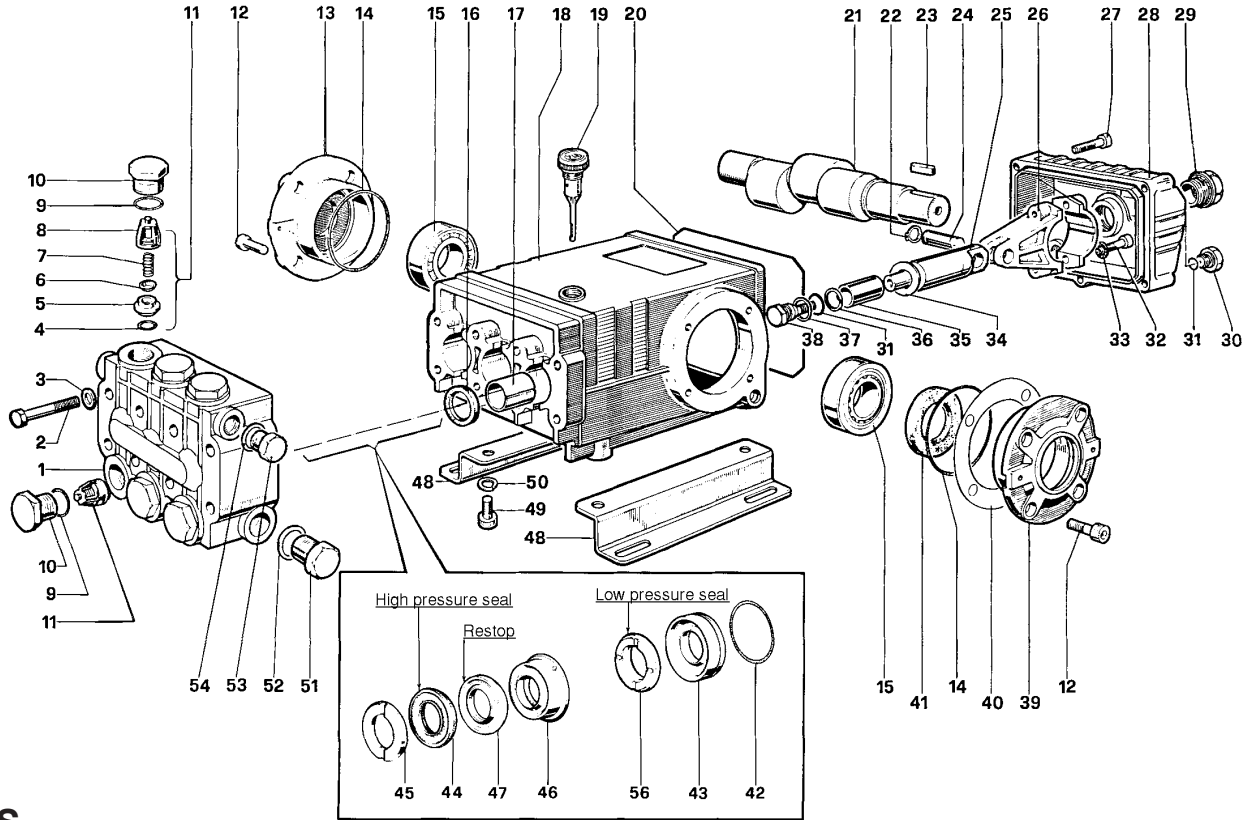




# HOT WATER PRESSURE WASHER REPAIR KITS

## HW3024HG12V & HW3524HG12V

### GP TS2021



### PARTS

ITEM	PART NO.	DESCRIPTION	KIT NO.	QTY.	ITEM	PART NO.	DESCRIPTION	KIT NO.	QTY.	ITEM	PART NO.	DESCRIPTION	KIT NO.	QTY.
1	47120841	Manifold		1	19	98210600	Oil Dip Stick		1	37	96728000	Washer	6	3
	47120941	Manifold, Nickel-Plated (TS2021-N)		1	20	90392200	O-Ring, Cover		1	38	47219566	Screw, Plunger	6	3
2	99320600	Screw, M8 x 70		8	21	47021735	Crankshaft		1	39	47150022	Cover, Crankcase		1
3	96702000	Washer, M8.4		8	22	90055700	Ring, Snap		6	40	97567800	Shim		2
4	90384100	O-Ring, .674 x .103	1	6	23	91489000	Key		1	41	90164800	Seal, Oil	3	1
5	36200366	Seat, Valve	1	6	24	97738000	Pin, Wrist		3	42	90361600	O-Ring, 1.364 x .070	10, 28	3
6	36200176	Plate, Valve	1	6	25	47050554	Guide, Plunger		3	43	47080570	Retainer, Packing	10, 28	3
7	94737600	Spring	1	6	26	47030001	Rod, Connecting		3	44	90270500	Packing	28, 69	3
8	36200251	Guide, Valve	1	6	27	99191200	Screw, M6 x 30		5	45	47100051	Ring, Head, M20	7, 28	3
9	90384700	O-Ring, .797 x .103	4, 5	6		99183700	Screw, M6 x 14 (T1011)		5	46	47216970	Intermed. Ring	28, 71	3
10	98222000	Cap	4	6	28	47160122	Cover, Crankcase		1	47	90270400	Restop Ring	28, 69, 71	3
	98222200	Cap, Ni-Plated (TS2021-N)		5		47160022	Cover, Crankcase (T1011)		1	48	47200074	Pump Feet		2
11	36703201	Valve Assembly	1	6	29	97596800	Oil Indicator		1	49	99364400	Screw, M10 x 18		4
12	99303900	Screw, M8 x 16		8	30	98204100	Cap		1	50	96710600	Washer, M10.2		4
13	47150122	Cover, Crankcase		1	31	90358500	O-Ring, .426 x .070	6	4	51	98217600	Cap		1
14	90391300	O-Ring, 2.675 x .103		2	32	99309900	Screw, M8 x 35		6	52	96751400	Washer, M21.5		1
15	640047	Bearing, Roller		2	33	96701400	Washer, M8.4		6	53	98210000	Cap		1
16	90162500	Seal, Oil	2	3	34	96728600	Washer, M14		6	54	96738000	Washer, M17.5		1
17	90912600	Bushing		3	35	47040409	Plunger, (20 mm)		3	56	90271000	Seal, Low Press., 20mm	28, 69	3
18	47010522	Crankcase		1	36	90506700	Ring, Back-up		6					

### REPAIR KITS

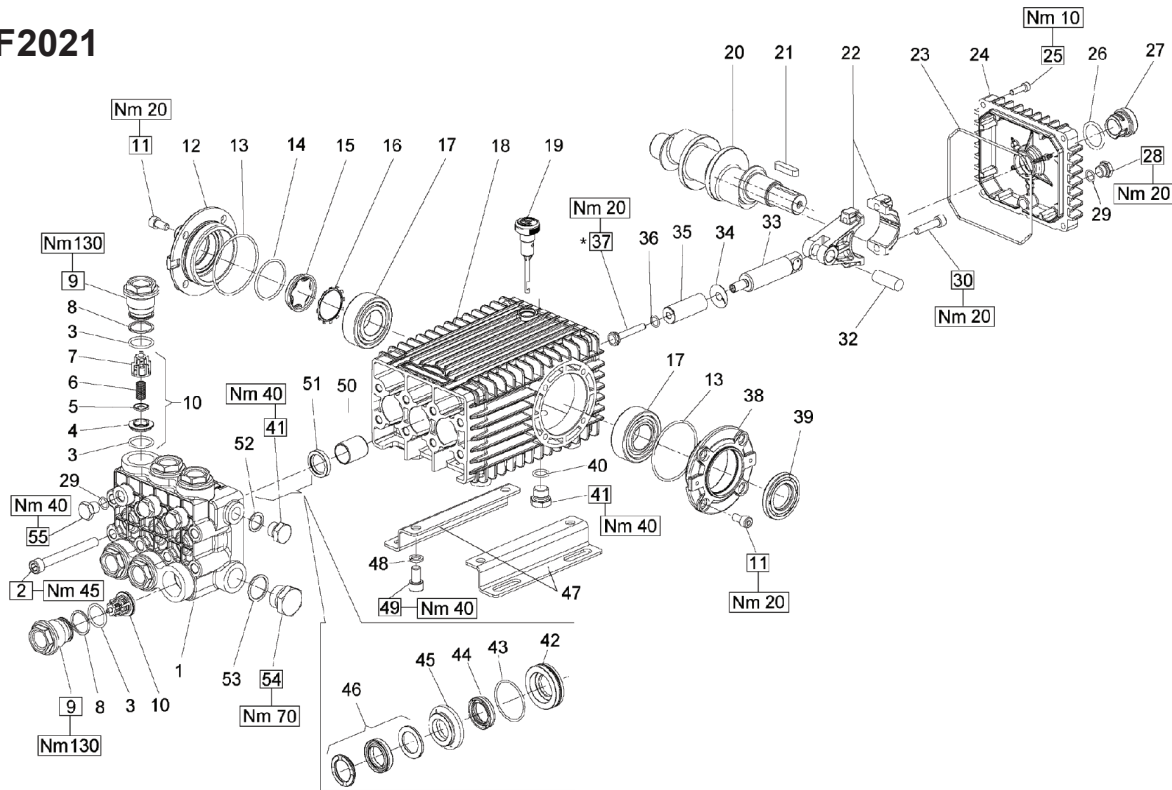
KIT #.	KIT001	RKI002	RKI003	RKI004	RKI006	RKI007	RKI010	RKI028	RKI069	RKI071
ITEM # IN KIT	4, 5, 6, 7, 8 (11)	16	41	9, 10	31, 34, 36, 37, 38	45	42, 43	42, 43, 44, 45, 46, 47, 56	44, 47, 56	46, 47
NUMBER OF ASSEMBLIES IN KIT	6	3	6	6	3	6	3	1	3	3
NUMBER OF CYLINDERS KIT WILL SERVICE	3	3	-	3	3	3	3	1	3	3



# HOT WATER PRESSURE WASHER REPAIR KITS

## HW3024HG12V & HW3524HG12V

### GP TSF2021



### PARTS

POS.	PART NO.	DESCRIPTION	QTY.	POS.	PART NO.	DESCRIPTION	QTY.	POS.	PART NO.	DESCRIPTION	QTY.
1	66124541	Manifold, Ø 18mm	1	22	66030001	Connecting Rod, Complete	3	43	90361600	O-ring, Ø 34.65x1.78	3
	66120041	Manifold, Ø 20mm	1	23	90392200	O-ring, Ø133.02x2.62	1	44	90265200	LP Seal, Ø 18mm	3
	66120141	Manifold, Ø 22 mm	1	24	66160022	Rear Cover	1		90269000	LP Seal, Ø 20mm	3
	66120241	Manifold, Ø 24mm	1	25	99188400	Screw, M6x20	4		90271500	LP Seal, Ø 22mm	3
	66124641	Manifold, Ø 28mm	1	26	90405100	O-ring, 26.58x3.53	1		90273800	LP Seal, Ø 24mm	3
2	99380100	Headbolt M10 x 90	8	27	63210051	Oil Level Indicator	1		90275300	LP Seal, Ø 28mm	3
3	90385700	O-ring, Ø 23.81x2.62	12	28	98204100	Plug, G1/4"x9	1	45	66216370	Intermediate Ring, Ø 18mm	3
4	36203366	Valve Seat	6	29	701013	O-ring, Ø .426x.070	4		66216070	Intermediate Ring, Ø 20mm	3
5	36203476	Valve Poppet	6	30	99309900	Screw, M8x35	6		66216170	Intermediate Ring, Ø 22mm	3
6	94738800	Valve Spring Ø10x18x18.5	6	32	97740500	Wrist Pin, 14x39	3		66216470	Intermediate Ring, Ø 24mm	3
7	36203551	Valve Guide	6	33	66050064	Piston Guide	3		66220070	Intermediate Ring, Ø 28mm	3
8	90516500	Anti-ext ring Ø24.7x29x1.5	6	34	96710100	Flinger Washer	3	46	90265500	HP Seal, Ø 18mm	3
9	66130041	Plug, M32x1.5x29.5	6	35	66040309	Plunger, Ø 18mm	3		90269200	HP Seal, Ø 20mm	3
10	36712701	Valve Assy., Complete	6		66040009	Plunger, Ø 20mm	3		90271700	HP Seal, Ø 22mm	3
11	99303900	Screw M8 x 16	8		66040109	Plunger, Ø 22 mm	3		90274100	HP Seal, Ø 24mm	3
12	47151222	Cover	1		66040409	Plunger, Ø 24mm	3		90275400	HP Seal, Ø 28mm	3
13	90391300	O-ring, Ø67.95x2.62	2		66041009	Plunger, Ø 28mm	3	47	47200074	Pump Rail	2
14	90387700	O-ring, Ø 39.34x2.62	1	36	90358400	O-ring, Ø 10.82x1.78	3	48	96710600	Washer M10	4
15	70211801	Oil Sight Glass	1	37	66219566	Plunger Bolt	3	49	99364400	Screw M10 x 18	4
16	90075600	Retainer Clip	1	38	47151022	Side Cover, PTO	1	50	90912600	Guide Bushing	3
17	91838000	Bearing	2	39	90164800	Seal, Shaft	1	51	90162500	Seal, Plunger Rod	3
18	66010022	Crankcase	1	40	90383300	O-ring, Ø 13.95x2.62	1	52	96738000	Gasket, Aluminum 3/8"	1
19	98210600	Dipstick, vented	1	41	98210000	Plug 3/8 x 13	2	53	96770000	Washer	1
20	66021035	Crankshaft, 19mm Stroke, Dual Shaft	1	42	66080370	Seal Retainer, Ø 18mm	3	54	98226800	Plug, G3/4"x16	1
	66020035	Crankshaft, 19mm Stroke	1		66080070	Seal Retainer, Ø 20mm	3	55	98204300	Plug 1/4" x 13	3
	66020435	Crankshaft, 21mm Stroke	1		66080170	Seal Retainer, Ø 22mm	3				
21	91489200	Key, 9x7x35	1		66080470	Seal Retainer, Ø 24mm	3				
					66082570	Seal Retainer, Ø 28mm	3				

### REPAIR KITS

KIT #.	RKI002	RKI003	RKI169	RKI171	RKI172
ITEM # INCLUDED IN KIT	51	3, 4, 5, 6, (10)	9, 10	43, 46	42, 43, 44, 45, 46
NUMBER OF ASSEMBLIES IN KIT	3	1	6	3	1
NUMBER OF CYLINDERS KIT WILL SERVICE	3	N/A	3	3	1