

# EFSW-MANUAL



ITEM NUMBER: EFSW10000-BOX

SERIAL NUMBER: \_\_\_\_\_

## Owner's Manual

Instructions for Assembly, Testing, Operation, Servicing, and Storage

**Bleach Pump with Motor Shield: For use with bleach\*\***

### **▲ WARNING**

**READ and UNDERSTAND the Owner's Manual completely before using this pump.** Assemble, test, and use only in accordance with the Owner's Manual instructions.

**EXERCISE CAUTION when mixing chemicals, as incorrect ratios or mixtures could release harmful gases.**

**READ and FOLLOW chemical safety instructions.**

**KNOW emergency procedures BEFORE handling chemicals.** Pump leaks, bodily chemical contact, poisoning, and spills require immediate response.

**AVOID inhaling, ingesting, or coming into contact with any chemicals.**

**WEAR personal protective gear when operating, cleaning, and servicing the pump.**

**KEEP pump and spray materials away from children and pets.** Some chemicals are especially toxic to them.

**DO NOT TURN ON POWER to pump until ready to spray** in order to avoid unintentional spray release.

**SOAK** vegetation well in the area surrounding the work zone prior to and after spraying bleach. Bleach can kill vegetation if not soaked thoroughly.

**ALWAYS** keep a fire extinguisher rated "ABC" nearby.

**Improper use of the pump or handling of chemicals could result in serious injury, illness to the operator or nearby persons/animals, or could cause damage to the environment.**

\*\*This pump is recommended for use in spraying bleach. The pump will be damaged, and warranty voided if used to apply any petroleum-based product (gasoline, diesel, kerosene, or oil). The pump should not be used to transfer any product intended for human consumption. WE RECOMMEND THAT THE PUMP NOT BE USED FOR OTHER PURPOSES ONCE IT HAS BEEN USED FOR SPRAYING BLEACH. Any chemical will leave some residual in the pump components, even after the pump has been properly cleaned. These residual chemicals can have unexpected effects on future uses. This pump should not be used by people with reduced physical, sensory, or mental capabilities or by those who lack experience or knowledge of product use.

**Any Questions, Comments, Problems, or Parts Orders**

***Call Everflo Product Support at 1-800-864-1649***



## Hazard Signal Word Definitions






	<p>This is the safety alert symbol. It is used to alert you to potential personal injury hazards. Obey all safety messages that follow this symbol to avoid possible injury or death.</p>
	<p>DANGER (red) indicates an imminently hazardous situation which, if not avoided, will result in death or serious injury.</p>
	<p>WARNING (orange) indicates a potentially hazardous situation which, if not avoided, could result in death or serious injury.</p>
	<p>CAUTION (yellow) indicates a potentially hazardous situation which, if not avoided, may result in minor or moderate injury.</p>
	<p>CAUTION (yellow) used without the safety alert symbol indicates a potentially hazardous situation which, if not avoided, may result in property damage.</p>

fig01453

# Table of Contents

<b>Intended Use</b> .....	4
<b>Summary of Important Safety Information</b> .....	5
During Assembly .....	
During Operation .....	
• General Chemical Safety .....	
• Chemical Application Safety .....	
• Chemical Accident Procedures .....	
<b>Warning Label Location</b> .....	7
<b>Installation</b> .....	
Step One: Mounting .....	8
Step Two: Plumbing .....	8
Step Three: Connect pump to batteries or 24V DC supply .....	9
Step Four: Check and test completed assembly .....	11
<b>Features</b> .....	12
<b>Operation</b> .....	
<b>Important Safety Information - Operation</b> .....	13
• General Chemical Safety .....	
• Chemical Application Safety .....	
• Chemical Accident Procedures .....	
<b>Preparing the Pump for Each Use</b> .....	17
<b>Using the Pump</b> .....	
Step One: Assess wind conditions and clear work area .....	18
Step Two: Operate the pump .....	18
Step Three: Clean pump and decontaminate after use .....	22
<b>Storage</b> .....	23
Preparing for storage .....	
Removing from storage .....	
<b>Troubleshooting</b> .....	24
<b>Maintenance</b> .....	26
<b>Specifications</b> .....	27
<b>Exploded View</b> .....	28
<b>Limited Warranty</b> .....	29

## Intended Use

The pump is intended for use in spraying bleach concentrations of 3% or less.

### **SPRAYING CHEMICALS:**

Hazardous chemicals must be handled with caution as directed throughout this manual and on the chemical label.

The pump is intended for use in spraying chemical in liquid form only. The pump is NOT intended for use in spraying chemicals in dry or aerosolized form, or for use with fumigants.

Always flush the pump after each use to clean out the chemical. The life of the pump will be shortened if it is not flushed after each use.

**WE RECOMMEND THAT THE PUMP NOT BE USED FOR OTHER PURPOSES.** Any chemical will leave some residual in the pump components, even after the pump has been properly cleaned. These residual chemicals can have unexpected effects on future uses.

**NOTE:** The pump will be damaged, and warranty voided if used to apply any petroleum-based product (gasoline, diesel, kerosene, or oil).

**NOTICE:** Not for use on painted wood surfaces. Use only on hard, non-porous surfaces.

**Contact Everflo Product Support at 1-800-864-1649 for any questions about the appropriate use of the pump and/or optional accessories.**

## Summary of Important Information

### **▲ WARNING**

Read and understand **this owner's manual** completely before using the pump. Read each **chemical label's instructions** before handling the chemical.

*Improper use of the pump or handling of chemicals could result in serious injury or illness for the operator or nearby persons/animals, or cause damage to the environment.*

**LISTED BELOW is a summary of safety information of particular importance. See individual sections of this owner's manual for more details.**

#### ----- DURING ASSEMBLY -----

- **EXERCISE CAUTION** when attaching a remote switch to battery terminals. Follow the steps listed in the Assembly section of this manual in *exact sequence* when connecting the pump to battery terminals. *Caution must be exercised to avoid contact with battery acid and to prevent sparking.*
- **CHECK and TEST completed assembly** as directed in this manual. Serious injury could result from chemical leaks if pump is improperly assembled.
- **DO NOT MODIFY pump design.**

#### ----- DURING OPERATION -----

##### **General Chemical Safety**

- **READ and FOLLOW** each chemical label's instructions and warnings.
- **AVOID inhaling, ingesting, or coming into contact with any chemicals.**
- **KNOW applicable licensing and regulatory requirements** for the chemical you plan to use.
- **KNOW emergency procedures before handling chemicals.** Carefully review the Chemical Accident Procedures section listed below and later in this manual. Also see First Aid instructions on the chemical label.
- **WEAR protective clothing, eye protection, and chemical resistant gloves** when operating the pump. Wear additional protective gear, such as facemask or apron, as recommended on the chemical label.
- **EXERCISE EXTRA CAUTION around children and pets.** Some chemicals are especially toxic to them. Keep pump and spray materials away from them at all times.
- **DO NOT MIX OR POUR chemicals in an enclosed, unventilated area.**
- **DO NOT USE flammable chemicals** in the pump.
- **STORE chemicals in a correctly labeled container and in a secure location.**
- **MONITOR the health of operators frequently exposed to chemical,** as recommended by the chemical label or local/federal regulations.

##### **Chemical Application Safety**

###### **Before Spraying**

- **SOAK** vegetation in the area surrounding the work zone prior to spraying bleach. Bleach can kill vegetation if not soaked thoroughly.
- **INSPECT and PREPARE pump before each use** as directed in this manual.
- **DO NOT TURN ON POWER to pump until ready to spray** in order to avoid unintentional spray release.
- **DO NOT SPRAY** when wind speed exceeds 5 MPH in order to minimize spray drift.
- **CLEAR work area of people/pets and POST warning notices** to restrict access for the period recommended on chemical label.
- **KEEP pump and spray materials away from children/pets.** Some chemicals can be especially toxic to children and animals.
- **DO NOT ALLOW anyone younger than 16 to operate the pump** since some chemicals are especially toxic to children.

## Summary of Important Information

### During Spraying

- **DO NOT OVER-APPLY chemicals.** Apply at rate recommended by chemical manufacturer. Excess chemicals can be dangerous to humans/animals, damage desirable plants, and contaminate soil and water sources.
- **DO NOT EAT, DRINK, SMOKE, RUB YOUR EYES, or TOUCH YOUR BARE SKIN while handling chemicals and spraying.**
- **NEVER POINT A SPRAY GUN at people or animals.**
- **EXERCISE EXTRA CAUTION when spraying near areas accessible to children and pets.**
- **CLEAN up spills immediately** per instructions on the chemical labels.
- **TURN OFF power to pump and RELIEVE system pressure** before leaving pump unattended.
- **SEE the Troubleshooting section of this manual before attempting any repairs.** Wear personal protective equipment and follow safety instructions.

### After Spraying

- **SOAK** vegetation in the area surrounding the work zone after spraying bleach. Bleach can kill vegetation if not soaked thoroughly.
- **CLEAN pump immediately after use** according to the directions provided in this manual.
- **DECONTAMINATE yourself after you are done spraying** and have cleaned the pump. Wash all exposed areas of the body with soap and water and remove and launder clothing.
- **DISPOSE OF or STORE remaining chemicals in secure storage with correctly marked container.**

### Chemical accident procedures

Immediate response is necessary in the event of pump leaks, bodily chemical contact, poisoning, or spills. See instructions below:

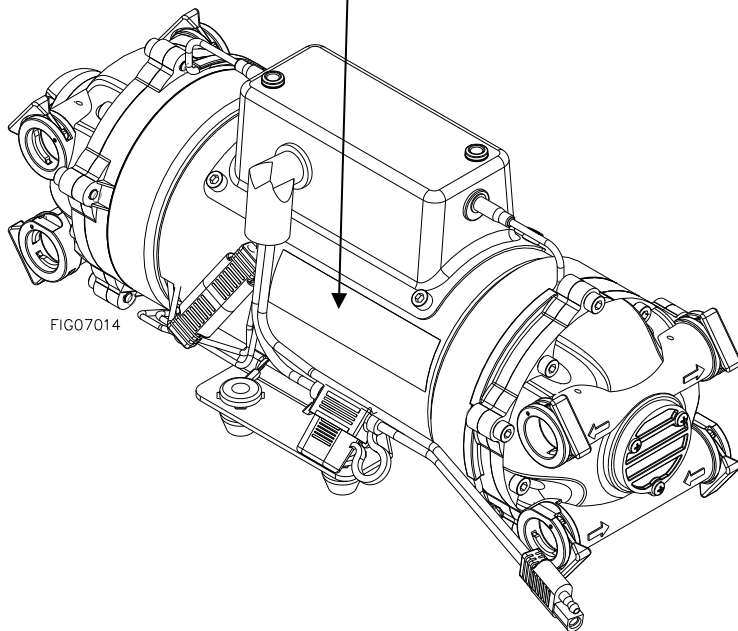
<b>Pump leak</b>	<b>If the pump develops a leak, <i>immediately stop spraying.</i></b> Turn off power to the pump and follow directions below, as applicable.
<b>Bodily chemical contact</b>	<p><b>Personal contamination can occur when chemicals splash, spill, or spray directly onto a person.</b></p> <ol style="list-style-type: none"> <li>1. Immediately follow First Aid instructions on <u>chemical labels</u>.  <u>General procedures for contact with bleach or surfactant includes:</u> <ol style="list-style-type: none"> <li>a) Eyes – immediately rinse with water for 15 minutes. If irritation persists, contact a doctor.</li> <li>b) Skin – rinse all contaminated skin surfaces with water. If irritation persists, contact a doctor.</li> <li>c) Clothing – remove contaminated clothing. Dispose of heavily contaminated clothing per chemical label instructions.</li> </ol> </li> <li>2. Seek medical advice if instructed on the label or the victim experiences symptoms of harmful effects. Have the chemical label available for reference.</li> </ol>
<b>Poisoning by ingestion or inhalation</b>	<p><b>In case of poisoning from ingestion or inhalation:</b>  <i>If the victim has collapsed or is not breathing, call 911.</i> Otherwise:</p> <ol style="list-style-type: none"> <li>1. If you are the victim, immediately seek assistance from nearby personnel because you may become incapacitated.</li> <li>2. Immediately follow first aid instructions on <u>chemical label</u>.  <u>General procedures for ingestion or inhalation of bleach or surfactant include:</u> <ol style="list-style-type: none"> <li>a) For ingestion: Drink a glass of water. Call a doctor or poison control center. <b>DO NOT</b> induce vomiting unless instructed to do so by a doctor or poison control center.</li> <li>b) For inhalation: Immediately move to fresh air.</li> </ol> </li> <li>3. Call a poison control center for further advice. <b>In the U.S., call 1-800-222-1222.</b> Have the chemical label available for reference.</li> </ol>
<b>Chemical spills</b>	<p><b>Chemical spills must be quickly contained and properly cleaned up.</b>  Refer to the chemical label for any specific clean-up instructions.  <u>General procedures include:</u></p> <ol style="list-style-type: none"> <li>1. <b>Controlling</b> the spill by stopping the source of the spill.</li> <li>2. <b>Containing</b> the spill so that it does not spread and get into water sources.</li> <li>3. <b>Cleaning up</b> the spill immediately.</li> <li>4. <b>Seeking additional advice</b> from: <ul style="list-style-type: none"> <li>- <u>Chemical manufacturer</u>. See chemical label for contact information.</li> <li>- <u>State pesticide regulatory agency</u>. In the U.S., call the National Pesticide Information Center at 800-858-7378 for assistance in contacting your state’s agency.</li> </ul> </li> </ol>

## Warning Label Location

### **⚠ WARNING**

**DO NOT PUMP FLAMMABLE FLUIDS. DO NOT USE PUMP IN AN EXPLOSIVE ENVIRONMENT. READ AND UNDERSTAND THE OWNER'S MANUAL COMPLETELY BEFORE USING. RELIEVE SYSTEM PRESSURE BEFORE PERFORMING MAINTENANCE.**

793288



Description	Model
Pump warning decal	EFSW10000-BOX

**Always make sure safety labels are in place and in good condition.** If a safety label is missing or not legible, order new labels or unsafe operation could result.

**To order replacement safety labels, call Everflo Product Support at 1-800-846-1649.**

# Installation

## Step One: Mounting

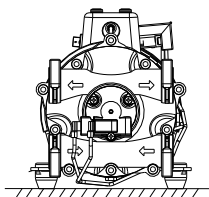
- This Everflo pump is self-priming.
- The pump should be located in an area that is dry and provides adequate ventilation.

### ⚠ CAUTION

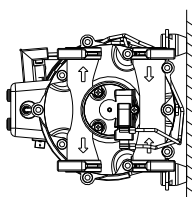
**DO NOT** locate the motor near low temperature plastics or combustible material. The surface temperature of the motor may exceed 250°F [121°C].

- The pump may be mounted in any horizontal position. **DO NOT** mount pump vertically, doing so will prevent the Motor Shield system from operating correctly.

**Correct orientation**



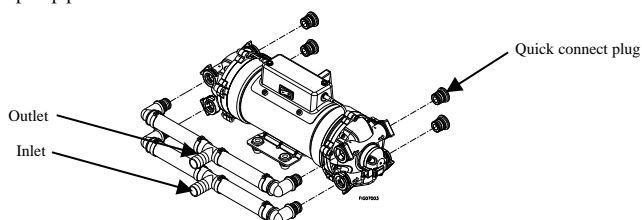
**Incorrect orientation**



- Secure the rubber base with 1/4" fasteners. **DO NOT** compress the base, as doing so will reduce the ability to isolate vibration and noise. Note: Fasteners are not included.
- Tighten the wiring zip tie after mounting screws have been installed to bundle wiring near the motor.
- See specifications section for the mounting pattern & dimensions.

## Step Two: Plumbing

- Remove shipping plugs from pump ports.
  - Insert quick connect plugs and fittings to the pump as shown below. Alternatively, the plumbing may be configured with inlet and outlet on opposite sides of the pump (not shown). The inlet ports are on the bottom of the pump and the outlet ports are at the top.
- NOTE:** To insert quick connect fittings, lubricate O-ring with water and twist fitting while inserting into pump port.



Pump model	Ports	Minimum inlet hose size	Minimum outlet hose size
EFSW10000-BOX	3/4" Quick Connect	3/4" (19mm) Inside diameter	3/4" (19mm) Inside diameter

- Tubing should be compatible with the spraying fluid. At least 18" [450mm] length is suggested to minimize stress on the fitting/ports and reduce noise. Allow for the shortest possible tubing route and avoid sharp bends that may kink over time.
- Installation of a 50-mesh strainer is recommended to prevent foreign debris from entering the system. Failures due to foreign debris are not covered under the warranty.

**NOTE:** Restrictions on the inlet may cause a loss in performance. Inlet pressure must not exceed 30 psi [2.1 bar]

- If a check valve is installed in the plumbing, it must have a cracking pressure of no more than 2 psi [.14 bar].



## Installation (continued)

### Step Three: Connect pump to batteries or 24V DC supply.

#### ▲ WARNING

- Batteries are hazardous because they contain caustic acid, can emit explosive gases, and can cause electric shock.
- *Caution must be exercised when making connections to a battery to avoid shock and contact with the acid, and to prevent any sparking that could lead to an explosion.*
- ALWAYS follow the safety instructions and steps listed below in exact sequence when connecting the pump to the battery terminals.

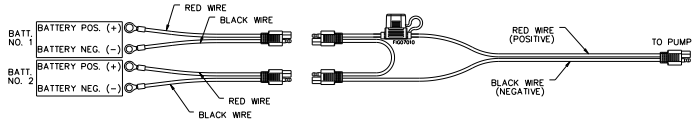
<b>1. Preparatory safety</b>	<p><b>Preparatory safety steps:</b></p> <ul style="list-style-type: none"> <li>• ALWAYS use eye protection.</li> <li>• NEVER smoke or work near sparks or other sources of ignition.</li> <li>• NEVER touch both battery terminals at the same time or with any non-insulated tools.</li> <li>• If battery acid contacts skin or clothing, flush immediately with water and neutralize with baking soda.</li> </ul>								
<b>2. Electrical requirements</b>	<ul style="list-style-type: none"> <li>• The pump should be on a dedicated (individual) circuit, controlled with a double pole switch (UL/CSA certified) rated at or above the fuse ampere indicated by the pump motor label. Depending on distance of the power source from the pump and ampere load on the circuit, wire may need to be heavier than indicated by the chart.</li> <li>• The pump is <b>protected with a fuse</b>. Use an approved wire of the size specified or heavier.</li> </ul> <table border="1" style="margin: 10px auto; border-collapse: collapse; text-align: center;"> <thead> <tr style="background-color: #e0e0e0;"> <th style="padding: 5px;">Voltage</th> <th style="padding: 5px;">Fuse (amp)</th> <th style="padding: 5px;">Wire Leads</th> <th style="padding: 5px;">Wire Size (Stranded MTW)</th> </tr> </thead> <tbody> <tr> <td style="padding: 5px;">24V DC</td> <td style="padding: 5px;">30.0</td> <td style="padding: 5px;">RED (positive +) BLACK (negative -)</td> <td style="padding: 5px;">#12 AWG (4.0mm<sup>2</sup>) (or heavier)</td> </tr> </tbody> </table> <ul style="list-style-type: none"> <li>• Two group size 24 batteries are recommended for spraying for extended periods of time.</li> </ul>	Voltage	Fuse (amp)	Wire Leads	Wire Size (Stranded MTW)	24V DC	30.0	RED (positive +) BLACK (negative -)	#12 AWG (4.0mm <sup>2</sup> ) (or heavier)
Voltage	Fuse (amp)	Wire Leads	Wire Size (Stranded MTW)						
24V DC	30.0	RED (positive +) BLACK (negative -)	#12 AWG (4.0mm <sup>2</sup> ) (or heavier)						

## Installation (continued)

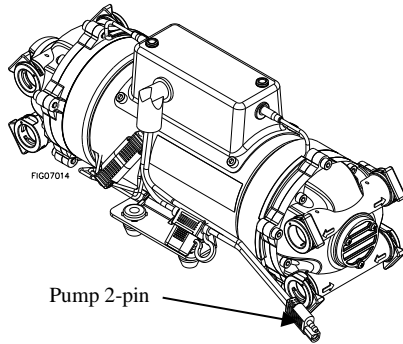
### 3. Connect pump to battery

Connect the pump to 24V DC using the following procedure:

- Connect two 12V batteries in series. For wire harnesses to make this connection, order 24V wire harness and battery wire harnesses.
- Connect both battery wire harnesses' **red** wire to the **positive (+)** terminal of the batteries. Connect both battery wire harnesses' **black** wire to the **negative (-)** terminal of the batteries. The wire harness includes an internal jumper to connect the batteries in series for 24V.



- Connect the 2-pin from each battery wire harness to the 24V wire harness as shown above.
- Connect the 2-pin from the 24V wire harness to the pump 2-pin.



**WARNING:** Always connect in this sequence to avoid possible shock.

### 4. Disconnect after use

**AFTER EACH USE, disconnect power to the pump** by disconnecting the 24V wire harness. Note: The battery wire harnesses may remain attached unless storing for an extended period of time.

*NOTE: It is important to disconnect power to the pump when not in use for safety reasons. ALWAYS verify that the power has been disconnected before adding chemicals or servicing.*

## Installation (continued)

### **Step Four: Check and test completed assembly.**

#### **⚠ WARNING**

##### **Check and test completed assembly**

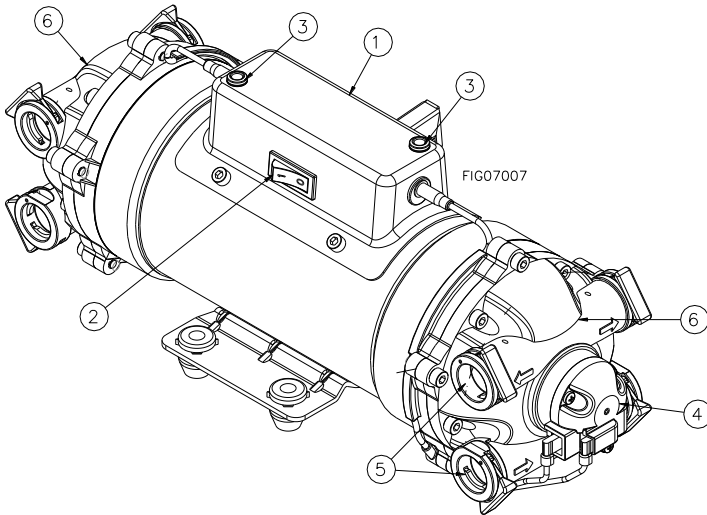
Serious injury could result from chemical leaks if pump is improperly assembled or the design of the pump is modified.

Follow the steps below to ensure the pump is properly assembled.

Never modify the pump design.

<b>1. Check assembly</b>	<b>Check assembly to assure the pump is properly assembled and in safe working condition.</b>
<b>2. Test with water</b>	<b>Test the system for leaks with water:</b>  a) Fill the tank with water. b) The pump is an “on demand” pump. When turned on, the pump will prime itself, then turn off once reaching pressure. When the flow continues, the pump will automatically re-start. c) Check for leaks throughout the system. If a leak is detected, fix the leak and re-test the system with water.

## Features



1. **Motor Shield System.** This system will shut the pump off in the event of a leak inside the pump cartridge to prevent damage to the motor.
2. **ON/OFF Switch.** Allows the operator to turn the pump on and off.
3. **LED.** Turns on when there is a fluid leak inside the pump cartridge. The LED nearest the cartridge indicates which has failed.
4. **Pressure Switch.** The pressure switch reacts to pressure, and interrupts power at the preset shut-off pressure indicated on the pump label. When outlet pressure drops below a predetermined limit, the switch will close, and the pump operates until the shut-off pressure is achieved. The shut-off pressure is set to factory calibrated standards.
5. **Quick Connect Ports.** Allows quick and easy fitting removal.
6. **Pump Cartridge.** The portion of the pump that moves fluid. Quickly and easily replace the low-cost consumable pump cartridge once it is worn.

## Operation – Important Safety Information

Now that you have completed and tested your assembly, there is some important safety and health information you need to know with regard to handling and spraying chemicals.

### ▲ WARNING

Carefully read and make sure you understand the following safety information before using the pump.

### General Chemical Safety:

### ▲ WARNING

Heed the warnings below and follow all instructions carefully.

Improper handling of chemicals can result in serious injury or illness, or cause damage to the environment.

- **Chemical label.** ALWAYS READ and FOLLOW all chemical label instructions.
- **Licensing/regulation.** Refer to any applicable licensing restrictions or state/federal regulations with regard to the application of the particular chemical you plan to use.
- **Emergency procedures.** Before handling chemicals, carefully review the Chemical Accident Procedures listed later in this section, as well as the Statement of Practical Treatment section on the chemical's label.
- **Inhalation/contact.** ALWAYS take precautions to avoid inhaling or coming into contact with the chemical.
- **Personal protective equipment.** ALWAYS wear protective clothing, eye protection, and chemical-resistant gloves when operating and cleaning the pump. Wear additional protective gear (such as facemask or apron) as recommended on the chemical's label.
- **Children/pets.** Some chemicals can be especially toxic to children and animals. ALWAYS exercise extra caution around children. Keep pump and all spray materials away from children and animals.
- **Ventilation.** ALWAYS ensure there is adequate ventilation when mixing, pouring, or spraying.
- **Flammables.** NEVER use any flammable chemicals in the pump.
- **Corrosives.** DO NOT use corrosive chemicals in the pump. They can weaken the pump and its parts, resulting in leaks. Check with the chemical manufacturer to ensure chemical is compatible with all components of the pump.
- **Chemical interaction.** ALWAYS flush the pump before switching chemicals. Different chemicals may interact dangerously with each other.
- **Chemical storage.** ALWAYS store chemicals in a properly labeled container and in a secure location per the manufacturer's recommendations.
- **Health monitoring.** Monitor the health of operators who are frequently exposed to chemicals, as recommended by chemical labels or local/federal regulations.
- **Do not mix chemicals.** Mixing chemicals can result in cause toxic vapors and mixtures.

## Operation – Important Safety Information (continued)

### Chemical Application Safety:

#### **▲ WARNING**

Caution must be used when spraying chemicals to avoid unsafe exposure to humans and the environment.

Heed the warnings below and follow all instructions carefully.

#### **Before Spraying**

- **Soak.** ALWAYS soak vegetation in the area surrounding the work zone before spraying bleach. Bleach will kill vegetation if not soaked thoroughly.
- **Pump prep.** ALWAYS inspect and prepare the pump before use according to the directions provided in this manual.
- **Keep pump off.** Do not turn on power to the pump until ready to spray in order to avoid unintentional spray release.
- **Wind speed.** NEVER spray when wind speed exceeds 5 MPH in order to minimize spray drift.
- **Clear area/post.** ALWAYS keep the work area clear of people and pets. POST warning notices to restrict access by the public for the period recommended on chemical label.
- **Operator age.** You must be 16 years of age or older to operate this pump. Some chemicals are especially toxic to children.

#### **During Spraying**

- **Over-application.** DO NOT over-apply chemical. Apply at a rate recommended by chemical manufacturer. Excess chemical can be dangerous to humans, damage desirable plants, and contaminate soil and water sources.
- **Children/pets.** ALWAYS exercise extra caution when spraying near areas accessible to children and pets.
- **Eating/smoking.** DO NOT eat, drink, smoke, rub your eyes, or touch any part of your bare skin while handling chemicals and spraying.
- **Heat/flames.** DO NOT spray near open flames or sources of heat.
- **Spills.** ALWAYS clean up spills immediately per instructions on the chemical label.
- **Unattended.** ALWAYS turn off power to pump and relieve system pressure before leaving pump unattended.
- **Troubleshooting.** ALWAYS refer to the safety instructions in the troubleshooting section before attempting any repairs.

#### **After Spraying**

- **Soak.** ALWAYS soak vegetation in the area surrounding the work zone after spraying bleach. Bleach will kill vegetation if not soaked thoroughly.
- **Clean pump.** ALWAYS clean the pump immediately after use according to the directions provided in this manual.
- **Decontaminate.** ALWAYS decontaminate yourself immediately after you are finished spraying and handling chemicals. Wash all exposed areas of the body with soap and water and remove and launder clothing.
- **Chemical disposal/storage.** ALWAYS dispose of or store remaining chemicals properly as recommended on the chemical label.

## Operation – Important Safety Information (continued)

### Chemical accident procedures:

#### ▲ WARNING

Before you use the pump, review the following information with regard to handling accidents.

Chemical spills, pump leaks, personal contamination, and poisoning are accident situations which you may encounter.

**All require an immediate response – See instructions below.**

<b>Pump leak</b>	<p><b>In the event that the pump develops a leak while spraying chemicals, you must <i>immediately stop spraying.</i></b></p> <p style="padding-left: 40px;">Turn off power to the pump and follow the directions below, as applicable.</p>
<b>Bodily chemical contact</b>	<p><b>Personal contamination can occur when chemicals splash, spill, or spray directly onto a person.</b></p> <ol style="list-style-type: none"> <li>1. Follow the emergency first aid instructions on the chemical label listed in the First Aid or the Statements of Practical Treatment sections.  <u>General procedures for contact with bleach or surfactant includes:</u> <ol style="list-style-type: none"> <li>a) Eyes – immediately rinse with water for 15 minutes. If irritation persists, contact a doctor.</li> <li>b) Skin – rinse all contaminated skin surfaces with water. If irritation persists, contact a doctor.</li> <li>c) Clothing – remove contaminated clothing. Dispose of heavily contaminated clothing per chemical label instructions.</li> </ol> </li> <li>2. Seek medical advice if instructed on the label, or if the victim experiences symptoms of harmful effects such as burning, swelling, nausea, chest pain, difficulty breathing, dizziness, or confusion. When seeking medical advice, be sure to bring the chemical product label.</li> </ol>
<b>Poisoning by ingestion or inhalation</b>	<p><b>In case of poisoning from ingestion or inhalation:</b></p> <p><b>IF THE VICTIM HAS COLLAPSED OR IS NOT BREATHING, <u>CALL 911.</u></b> Otherwise:</p> <ol style="list-style-type: none"> <li>1. If you are the victim, immediately seek assistance from nearby personnel because you may become incapacitated.</li> <li>2. Follow the emergency first aid instructions on the chemical label in the First Aid or Statement of Practical Treatment sections.  <u>General procedures for ingestion or inhalation of bleach or surfactant includes:</u> <ol style="list-style-type: none"> <li>b) For ingestion: Drink a glass of water. Call a doctor or poison control center. <b>DO NOT</b> induce vomiting unless instructed to do so by a doctor or poison control center.</li> <li>b) For inhalation: Immediately move to fresh air.</li> </ol> </li> <li>3. Call a poison control center for further advice. <b>In the U.S., call 1-800-222-1222 to be automatically linked to the nearest certified poison control center.</b> Have the chemical label available for reference.</li> </ol>

## Operation – Important Safety Information (continued)

### Chemical spills

### Chemical spills must be quickly contained and properly cleaned up.

Refer to the chemical label for any specific clean-up instructions with regard to the chemical spilled.

General procedures include:

1. **Control** the spill by stopping the source of the spill. If the source of the spill is a container leak, place the leaking container in a larger, watertight container. Keep unprotected people away from the spill site.
2. **Contain** the spill so that it does not spread and get into water sources. Use a shovel or other tool to make a dike around the spill with soil, sod, or absorbent material.
3. **Clean up** the spill immediately. Absorbent materials like ground corncobs or pet litter should be spread on the spill area to soak up the chemical. The contaminated material should then be shoveled into a leak-proof container. Do not flush the spill area with water until you receive advice as directed below.
4. **Seek additional advice** from the chemical manufacturer and your state's pesticide regulatory agency regarding decontamination of the spill site:
  - *Chemical manufacturer.* The chemical label provides contact information for the chemical manufacturer.
  - *State pesticide regulatory agency.* In the U.S., call the National Pesticide Information Center at 1-800-858-7378 for assistance in determining how to contact your state's pesticide regulatory agency.



## Operation – Preparing the Pump for Each Use

If the pump has been used previously, it must be prepared BEFORE EACH SUBSEQUENT USE.

### ▲ WARNING

Read instructions below carefully for inspecting and preparing the pump.  
 Damaged or clogged equipment could result in leaks or uncontrolled spray.  
 Leaks could result in injury to the operator or bystanders from chemical exposure, or cause damage to the environment.

**Important safety rules:**

- **Power off.** Make sure all power is OFF before cleaning, inspecting, or servicing the pump.
- **Guards/shields.** Make sure all guards and shields are replaced after servicing the pump.
- **Replacement parts.** If a part needs replacement, only use parts that meet the manufacturer’s specifications. Replacement parts that do not meet specifications may result in a safety hazard or poor operation of the pump.

<b>1. Ensure clean system</b>	<b>Ensure the pump has been thoroughly flushed and drained of all residual chemicals from prior uses.</b>
<b>2. Inspect &amp; repair</b>	<p><b>Inspect and test the pump system thoroughly:</b></p> <ul style="list-style-type: none"> <li>a) Inspect hoses/lines for exposed mesh and holes. Replace all worn or damaged hoses/lines.</li> <li>b) Inspect fittings for cracks and leaks. Replace all damaged fittings with original Everflo parts.</li> <li>c) Partially fill system with plain water and spray to test for leaks. Repair as needed.</li> </ul> <p><b><i>IMPORTANT: After any repair work has been done, ALWAYS test for leaks with water one final time before using.</i></b></p>

Be certain the pump materials will be compatible with the chemical being pumped. Everflo pumps are intended for intermittent or continuous duty when the proper operating criteria are met. If unsure of the chemical compatibility with the Everflo pump components or the motor’s intended design, please call Everflo Product Support at 1-800-864-1649 for assistance.

### CAUTION

**DO NOT** operate the pump at pressures which cause the motor to exceed the amperes rating indicated on the name plate.  
 Improper adjustment of the pressure switch setting may cause severe overload or premature failure. Failures due to improper adjustment of the pressure switch setting will not be covered under the warranty.

*Note: A reserve, clean container capable of holding at least the volume of the entire pump system should be kept for use when the pump system needs to be emptied temporarily for repairs. It is advisable to purchase a reserve tank suitable for chemical storage from Everflo and Equipment for use in these circumstances. The container should be properly labeled as to its contents if it is used.*

## Operation – Using the Pump

### **Step One: Assess wind conditions and clear work area.**

Before you decide to spray, you must determine whether wind conditions are suitable. You must also restrict access to the work area to ensure the safety of bystanders.

#### ⚠ WARNING


Do not spray if wind speeds are greater than 5 MPH or if there are bystanders in the intended spray area.

<b>1. Assess wind speed</b>	<p>Assess weather conditions to ensure that it is not too windy to spray.</p> <p><b>DO NOT SPRAY if wind speeds are greater than 5 MPH.</b></p> <p><i>Visible indication of wind speed:</i> If leaves are in constant motion or there is any branch movement, DO NOT spray because the wind is too strong.</p>
<b>2. Clear work area</b>	<p>Clear the work area of all bystanders and pets.</p> <p>Restrict access by the public for the period recommended on chemical label.</p>

### **Step Two: Operate the pump.**

#### ⚠ WARNING

ALWAYS wear personal protective equipment as directed on the chemical label when spraying. Long pants and sleeves, chemical-resistant gloves, and eye protection are strongly recommended. Additional protective gear may be required depending on the particular chemical.

<b>1. Review safety information</b>	<p>Review the <b>Operation – Important Safety Information</b> section related to <a href="#">Chemical Application Safety</a> provided in this manual.</p>
<b>2. Wear personal protective equipment</b>	<p>Wear personal protective equipment as directed on the chemical label. <b>Goggles, gloves, long sleeves, and pants are recommended while mixing chemical.</b> NOTE: Clothes may be damaged by bleach.</p> <div style="text-align: center; margin-top: 10px;">  </div>
<b>3. Turn on power</b>	<p><b>Turn on the power to the pump.</b></p> <p><i>Note: The pump will start automatically when power is turned on. The pump will cycle on and off as needed to retain pressure in the hose.</i></p>

## Operation – Using the Pump (continued)

### 4. Pressure switch operation

The pressure switch reacts to outlet pressure, and interrupts power at the preset shut-off pressure indicated on the pump label. When outlet pressure drops below a predetermined limit the switch will close and the pump operates until the shut-off pressure is achieved. The shut-off pressure is set to factory calibrated standards.

*Note: If the plumbing is restrictive or the flow rate is very low, the pump may re-pressurize the outlet faster than the fluid is being released, causing rapid cycling (\*ON/OFF within 2 seconds). If the pump is subjected to rapid cycling during normal operation, or for infrequent periods, damage may occur. Applications which exhibit rapid cycling should have restrictions in the outlet minimized.*

### 5. Mixing soft wash mix

#### Add chemical to tank through fill cap:

- a) Wear personal protective equipment while mixing. Goggles, gloves, long sleeves, and pants are recommended. NOTE: Clothes may be damaged by bleach.
- b) Add to tank in this order:
  1. Household bleach (6% sodium hypochlorite concentration)
  2. Soft Wash Surfactant
  3. Water
- c) Recommended mix ratios

Soft Wash Mix	Surface to be Cleaned	Household Bleach (6% sodium hypochlorite)	NorthStar Max Cling	Water
1%	Siding, screen enclosures	1 gallon	4 ounces	5 gallons
		5 gallons	20 ounces	25 gallons
2%	Fences, decking	1 gallon	2 ounces	2 gallons
		10 gallons	20 ounces	20 gallons
3%	Roofs, brick, stone, stucco, concrete, driveways	1 gallon	1.3 ounces	1 gallon
		15 gallons	20 ounces	15 gallons

**NOTICE:** Never spray undiluted bleach. It must be mixed with water and Soft Wash Surfactant. Failure to do so could result in unforeseen damage to vegetation or the cleaning surface. Always test soft wash mix in an inconspicuous area to confirm compatibility.

**NOTICE:** Not for use on painted wood surfaces. Use only on hard, non-porous surfaces.

**WARNING:** Never exceed 3%, higher concentrations will increase the risk of damage to the sprayer. For difficult stains, repeat applications may be required.

### 6. Before spraying

#### Follow the steps below before spraying:

- Cover all electrical outlets and light fixtures and remove any decorations on surfaces to be sprayed.
- Using fresh water from a garden hose, soak any vegetation that may come into contact with soft wash mix. If cleaning roof with gutters, soak area around downspouts with fresh water.

## Operation – Using the Pump (continued)

### 7a. Spraying roofs with soft wash mix

#### Follow the steps below for spraying a roof:

- Using a 3% mix (see table), spray roofs from top to bottom.

Soft Wash Mix	Surface to be Cleaned	Household Bleach (6% sodium hypochlorite)	NorthStar Max Cling	Water
3%	Roofs, brick, stone, stucco, concrete, driveways	1 gallon	1.3 ounces	1 gallon
		15 gallons	20 ounces	15 gallons



- Spray in 10-foot-wide sections, only applying enough to get the surface wet.
- Let the chemical dwell for approx. 10 minutes, but do not let the chemical dry on the surface. While the chemical is dwelling, the previous section can be rinsed.

### 7b. Spraying siding with soft wash mix

#### Follow the steps below for spraying siding:

- Using a 1% mix (see table), spray siding from bottom to top.

Soft Wash Mix	Surface to be Cleaned	Household Bleach (6% sodium hypochlorite)	NorthStar Max Cling	Water
1%	Siding, screen enclosures	1 gallon	4 ounces	5 gallons
		5 gallons	20 ounces	25 gallons



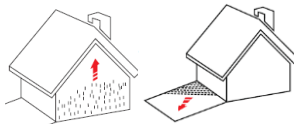
- Spray in 10-foot-wide sections, only applying enough to get the surface wet.
- Let the chemical dwell for approx. 10 minutes, but do not let the chemical dry on the surface. While the chemical is dwelling, the previous section can be rinsed.

### 7c. Spraying fences and decking with soft wash mix

#### Follow the steps below for spraying fences or decking:

- Using a 2% mix (see table), spray fences from bottom to top; spray flat surfaces (decking floor) starting on the far side and working back towards the sprayer.

Soft Wash Mix	Surface to be Cleaned	Household Bleach (6% sodium hypochlorite)	NorthStar Max Cling	Water
2%	Fences, decking	1 gallon	2 ounces	2 gallons
		10 gallons	20 ounces	20 gallons



- Spray in 10-foot-wide sections, only applying enough to get the surface wet.
- Let the chemical dwell for approx. 10 minutes, but do not let the chemical dry on the surface. While the chemical is dwelling, the previous section can be rinsed.

## Operation – Using the Pump (continued)

### 8. Rinsing

#### After spraying, rinse all surfaces and vegetation.

1. Using fresh water from a garden hose or the pump, rinse any vegetation that may have come into contact with soft wash mix.
2. Rinse surfaces from top to bottom. Rinse until there are no visible suds on the cleaned surface.



#### To extend the life of the bleach pump system's replaceable pump cartridge:

1. Fill tank with fresh water.
2. Remove spray nozzle from gun and pump fresh water through the system, discharging spray onto a hard surface such as a driveway.
3. Do not let the pump/sprayer freeze.

**NOTE:** The pump cartridge is a wear item and will fail in time. There are two failure modes: 1.) Decreased performance or 2.) An internal leak (red LED light on motor illuminates). See instructions in the **Maintenance** section for replacing the pump cartridge.

### 9. Leaving unattended

#### If the pump must be left unattended at any time:

- a) Disconnect power to the pump.
- b) Relieve system pressure.

### 10. Discontinue use if clogged or inoperative

#### If the pump becomes clogged or inoperative during use, *discontinue use immediately.*

- DO NOT attempt to service while chemicals are in the pump and power is connected.
- Return to service area to review instructions for troubleshooting before attempting to service.

## Operation – Using the Pump (continued)

### **Step Three: Clean pump and decontaminate after use.**

When done using the pump, it is important to clean the pump and decontaminate yourself. Do not store the pump when saturated with chemicals, as it is unsafe and could also result in damage to the equipment.

### ▲ WARNING

Cleanup and decontamination procedures must be followed after each use.

Improper equipment cleanup and disposal of chemicals can result in dangerous chemical exposure to humans and the environment, as well as equipment damage.

Personal decontamination is required after spraying to minimize unsafe exposure to chemicals and potential illness.

<b>1. Drain pump system</b>	<p><b>If there is excess chemical left in the pump system, drain the pump system:</b></p> <ul style="list-style-type: none"> <li>a) Disconnect power to the pump and relieve system pressure.</li> <li>b) Find a suitable container in which to drain the unused chemical.</li> <li>c) While wearing rubber gloves, eye protection, and all other required personal protective equipment, allow chemical to drain into container.</li> </ul>
<b>2. Unused chemicals</b>	<p><b>Properly store or dispose of unused chemicals:</b></p> <ul style="list-style-type: none"> <li>a) <u>If the unused chemical is to be stored for future use:</u> Store all unused chemicals in original, or a suitably marked, containers in a secure location out of the reach of children and animals.</li> <li>b) <u>If remaining chemical is to be disposed:</u> <b>Properly dispose of the remaining chemical and its container per the chemical manufacturer’s recommendation and according to local hazardous waste disposal regulations.</b></li> </ul>
<b>3. Flush pump</b>	<p><b>Flush the pump per the chemical manufacturer’s recommendations.</b> A general procedure is as follows:</p> <ul style="list-style-type: none"> <li>a) Add fresh water to the pump system.</li> <li>b) Reconnect power to the pump.</li> <li>c) Operate the pump system and discharge all rinse water onto a hard surface such as a driveway.</li> <li>d) After flushing, disconnect power to the pump and be sure all system pressure is relieved.</li> </ul>
<b>4. Decontaminate &amp; launder</b>	<p><b>Decontaminate yourself after you are finished handling chemicals:</b></p> <ul style="list-style-type: none"> <li>a) Remove all clothing worn during spraying and chemical handling.</li> <li>b) Wash all exposed parts of the body with soap and water.</li> <li>c) Launder clothing separately from other wash.</li> </ul>

## Storage

When not in use, store the pump indoors.

For long term or winter storage, prepare the pump by running RV antifreeze (**DO NOT use automotive antifreeze**) through the system. This will keep internal parts lubricated, protect against corrosion, and keep the unit from freezing.

### CAUTION

The pump will be damaged if it freezes.

Protect the pump from freezing during storage by following the instructions below.

### Preparing for storage:

<b>1. Flush with water</b>	Fill the pump system with fresh water and run through the system. Operate the pump system until the system is completely flushed.  <b>DO NOT add antifreeze before flushing the system as bleach can react with antifreeze.</b>
<b>2. Add antifreeze</b>	Pour RV antifreeze ( <b>DO NOT use automotive antifreeze</b> ) into the pump system.  <i>Note: RV antifreeze is non-toxic and biodegradable and generally safer for the environment than automotive antifreeze.</i>
<b>3. Spray briefly</b>	Turn on the pump and run the pump system briefly until fluid sprays.

### Removing from storage:

<b>1. Drain</b>	Drain the antifreeze left in the pump system into a suitable container.
<b>2. Flush with water</b>	Fill the pump system with fresh water and run through the system. Operate the pump system until the system is completely flushed. Be sure to set up containers to capture the antifreeze flush water.
<b>3. Disposal</b>	Dispose of the antifreeze and flush water properly.

## Troubleshooting

### ▲ WARNING

Before troubleshooting or attempting to service, read the following safety rules to avoid accidental exposure to chemical and also risk of electric shock.

*Note: A reserve, clean container capable of holding at least the volume of the entire pump system should be kept for use when the pump system needs to be emptied temporarily for repairs. It is advisable to purchase a reserve tank suitable for chemical storage from Everflo and Equipment for use in these circumstances. The container should be properly labeled as to its contents if it is used.*

#### **Before attempting to service the pump:**

<b>1. Personal protective equipment</b>	<b>Wear personal protective equipment as directed on the chemical's label while servicing your pump.</b>
<b>2. Review troubleshooting table</b>	<b>Review the troubleshooting table below for the type of problem you are experiencing.</b> However, DO NOT attempt to repair until the steps listed below are followed.
<b>3. Empty and flush</b>	<b>Empty the pump system and flush the pump with water as directed in step 3 of the Operation section.</b>  <i>In order to avoid accidental exposure to chemicals, never attempt to service the pump until the pump system has been emptied and the pump flushed with water.</i>
<b>4. Disconnect power/relieve pressure</b>	<b>Disconnect power to the pump and be sure all system pressure is relieved.</b> See the <b>Maintenance</b> section for instructions to replace pump cartridge.
<b>5. Perform repairs</b>	<b>Follow the directions provided in the troubleshooting table to repair the pump.</b>
<b>6. Test after servicing</b>	<b>After servicing, ALWAYS test the pump for leaks with plain water before using.</b>



## Troubleshooting (continued)

PROBLEM	CAUSE	SOLUTION
Pump will not turn on	Bad electrical connection	Check battery connections
	Short in wires	Check condition of wires
	Fuse blown	Replace fuse
	Faulty pressure switch	Replace pressure switch assembly
	Incorrect voltage	Check batteries are connected in series. Check voltage ( $\pm 10\%$ ).
Pump will not turn on and LED light is on	Leak inside pump cartridge	Replace pump cartridge
Pump will not prime	Out of product	Refill supply container
	Inlet air leak	Tighten fittings Replace cracked fittings
	Inlet/ Outlet tube restriction	Remove restriction
	Incorrect voltage	Check voltage ( $\pm 10\%$ )
	Clogged inlet strainer	Remove obstruction
	Clogged intake tube	Remove obstruction
Low pressure/flow	Inlet air leak	Tighten fittings Replace cracked fittings
	Worn diaphragm	Replace pump cartridge
	Worn valves	Replace pump cartridge
	Inlet/Outlet tube restriction	Remove restriction
	Incorrect voltage	Check voltage ( $\pm 10\%$ )
	Clogged intake valves	Remove obstruction
	Clogged inlet strainer	Remove obstruction
	Clogged intake tube	Remove obstruction
Pump leaks	Loose fasteners	Tighten fasteners
	Pump seals degraded	Replace pump cartridge
Pump cycles while not spraying	Leak in the system	Tighten leaking hose clamps/fittings
	Faulty pressure switch	Replace pressure switch assembly
	Incorrect voltage	Check voltage ( $\pm 10\%$ )
	Air trapped in system	Purge the air from the system
Rough operation	Flexible mounting surface	Mount pump on rigid surface
	Loose pump cartridge	Tighten fasteners
	Compressed base feet	Decompress base feet
	Rigid plumbing	Plumb pump with flexible plumbing

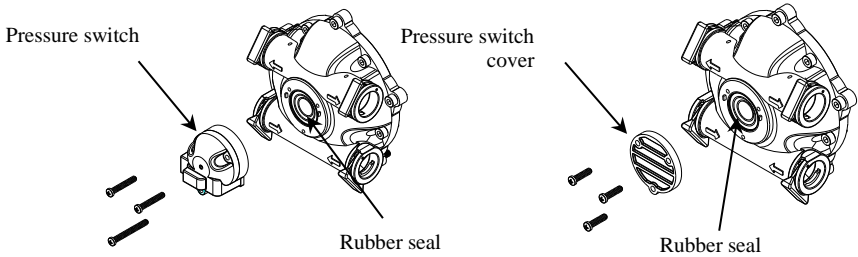
## Maintenance

In the event of an internal pump cartridge leak, the pump will shut off to protect the motor and the LED light closest to the defective pump cartridge will turn on to indicate the problem.

- To repair the pump, order replacement pump cartridge EFSW10000-CT. If both pump cartridges have failed, order quantity two.

**To replace pump cartridge with pressure switch cover (skip to next step if replacing pump cartridge with pressure switch):**

1. Remove pressure switch from replacement pump cartridge. Make sure rubber seal stays in place.
2. Install pressure switch cover using the included shorter screws.

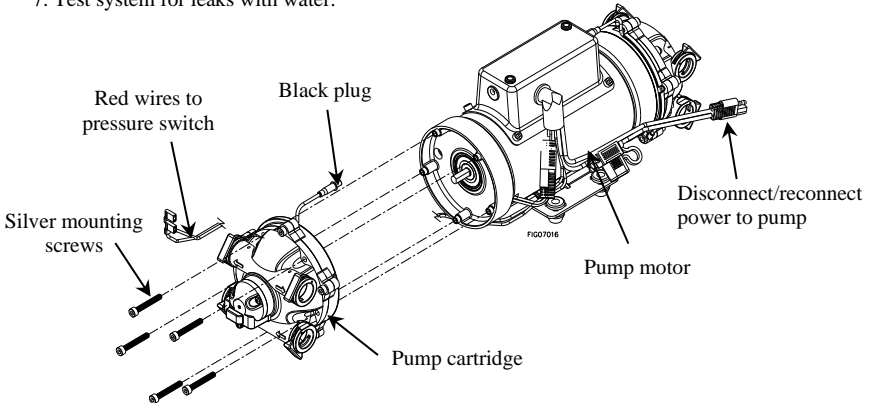


**To remove the old pump cartridge from the motor:**

1. Disconnect power to the pump and be sure all system pressure is relieved.
2. Disconnect quick connect fittings from pump ports.
3. Disconnect both red wires from the pressure switch (if applicable).
4. Disconnect black plug from the pump motor.
5. Using the supplied hex wrench, unthread the **silver** mounting screws (black screws can remain installed).
6. Slide the pump cartridge off the shaft of the motor. Discard the pump cartridge.
7. Dry any wet areas of the motor before installing new pump cartridge.

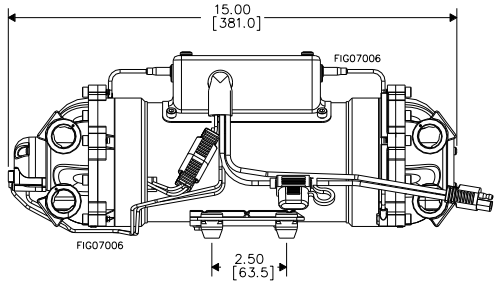
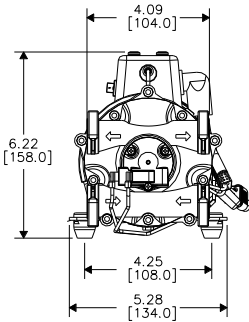
**To install the new pump cartridge:**

1. Line up the holes in the pump cartridge to the holes in the motor face.
2. Align the flat spots of the pump cartridge and motor shaft and slide the pump cartridge onto the shaft of the motor while lining up the holes in the pump cartridge to the holes in the motor face.
3. Using the supplied hex wrench, secure the pump cartridge using the new mounting screws supplied with the pump cartridge.
4. Attach both red wires to the pressure switch (if applicable).
5. Attach the black plug from the pump cartridge to the pump motor.
6. Reconnect power to the pump and reconnect quick connect fittings.
7. Test system for leaks with water.



## Specifications

Model number	Electrical connection	Maximum amp draw	Maximum flow	Maximum pressure	Ports	Overall dimensions	Weight
<b>EFSW10000-BOX</b>	24V DC	25 Amps	10.0 GPM [37.9 LPM]	100 PSI [6.9 bar]	3/4" Quick connect	15" x 5.28" x 6.22" [381mm x 134mm x 158mm]	15.5 lbs. [7.03 kg]



### Component Materials\*

Polypropylene, Viton®, Santoprene™

\*Before using any chemical, check to ensure the chemical is compatible with all materials in the system.

The noise emissions from this product do not exceed 70 dB(A).

#### Note:

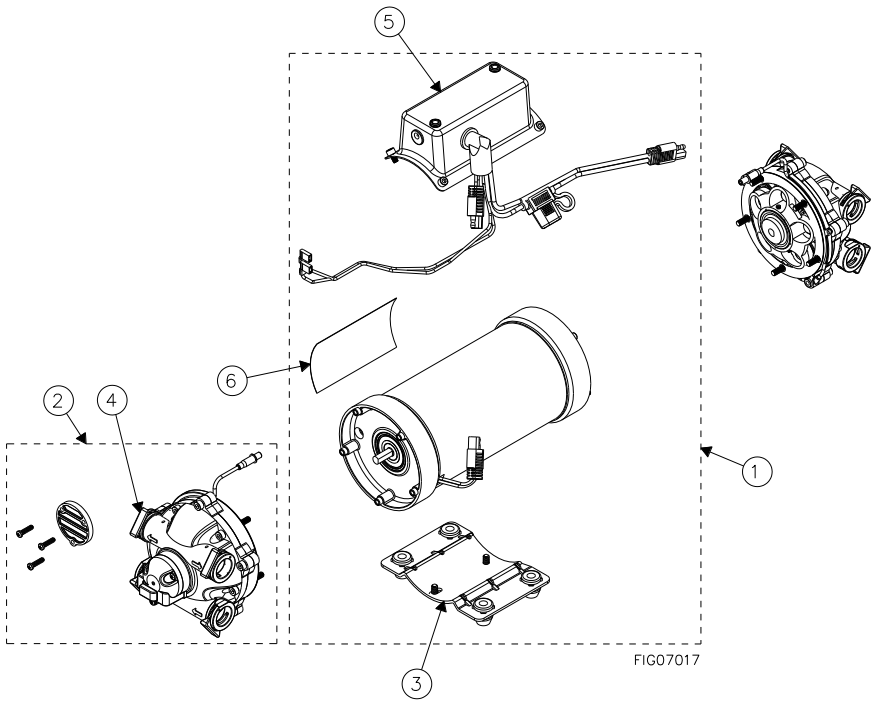
Pumping any petroleum-based fluid (gasoline, diesel, kerosene, or oil) will severely damage the pump.

The manufacturer reserves the right to make improvements in design and/or changes in specifications at any time without incurring any obligation to install them on units previously sold.

**Any Questions, Comments, Problems or Parts Orders**

*Call Everflo Product Support at 1-800-864-1649*

## Exploded View – EFSW10000-BOX– Rev A



Ref #	Part #	Description	Qty
1	EF802334	Motor Assembly	1
2	EFSW10000-CT	Replacement pump cartridge	2
3	EF803354	Base Plate Assembly	1
4	EF804039	Quick Connect Clip, Stainless Steel	8
5	EF803146	Control box assembly	1
6	N/A	Decal, pump branding	1
N/A	EF803263	Replacement Fuse, 30A	1

## Limited Warranty

Dear Valued Customer:

The Everflo product you just purchased is built with the finest material and craftsmanship. Use this product properly and enjoy the benefits from its high performance. By purchasing a Everflo product, you show a desire for quality and durability. Like all mechanical equipment this unit requires a due amount of care. Treat this unit like the high-quality piece of machinery it is. Neglect and improper handling may impair its performance. Please thoroughly read the instructions and understand the operation before using your product.

### Limited Warranty

Everflo shall warranty any piece of equipment manufactured, or parts of equipment manufactured, to be free from defects in material or workmanship for a period of 2 years.

Everflo shall warranty any wear item to be free from defects in material or workmanship for a period of 90 days from the date of purchase by user. This warranty applies to the original purchaser of the equipment and is non-transferable. Verification of purchase is the responsibility of the buyer. Parts will be replaced or repaired at no charge, except when the equipment has failed due to lack of proper maintenance, such as flushing the system after each use. Any misuse, abuse, alteration or improper installation or operations will void warranty. Determining whether a part is to be replaced or repaired is the sole decision of Everflo.

**NOTE:** Some services performed by parties other than Everflo may void warranty.

**This warranty covers parts only. It will not provide for replacement of complete products due to defective parts.**

**Components not manufactured by Everflo are guaranteed by their manufacturer and can be serviced at factory-authorized locations near you. Any costs incurred due to replacement or repair of items outside of a Everflo approved facility is the responsibility of the buyer and not covered under warranty. Everflo can supply you with the service center location in your area.**

This warranty specifically excludes the following: failure of parts due to damage caused by accident, fire, flood, windstorm, acts of God, applications not approved by Everflo in writing, corrosion caused by chemicals, use of replacement parts which do not conform to manufacturer's specifications, and damage caused by vandalism. Additional exclusions: loss of running time, inconvenience, loss of income, or loss of use, including any implied warranty of merchantability of fitness for a specific use.

Warranty does not cover items subject to normal wear such as pump cartridges, receptacles or any part subject to direct physical contact by the public. This warranty does not cover any personal injury or damage to surrounding property caused by failure of any part.

This warranty is in lieu of any other warranty expressed or implied and Everflo assumes no other responsibility or liability outside that expressed within this warranty.

Please fill in the following information and have it on hand when you call in on a warranty claim.

Customer Number: \_\_\_\_\_

Date of Purchase: \_\_\_\_\_

Everflo Serial Number: \_\_\_\_\_

Item Number: \_\_\_\_\_



Manufactured by  
Valley Industries  
Paynesville, Minnesota 56362  
[www.everflopump.com](http://www.everflopump.com)  
Made in China