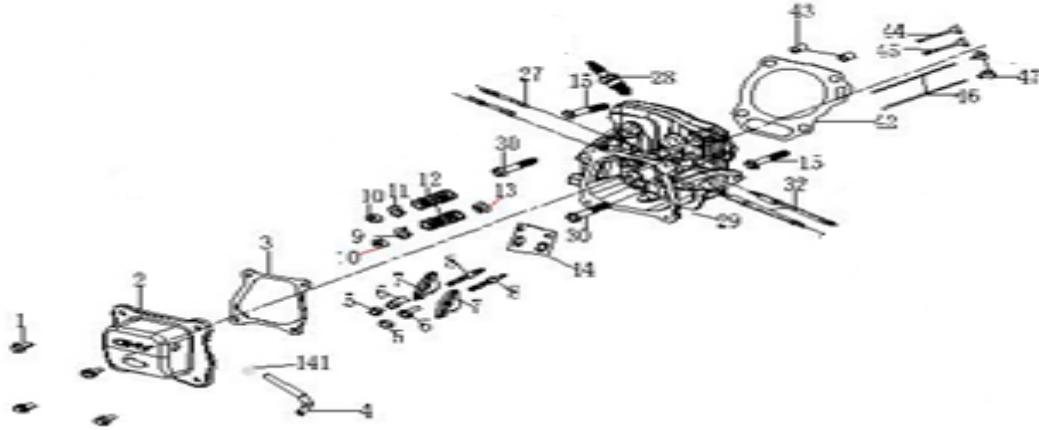
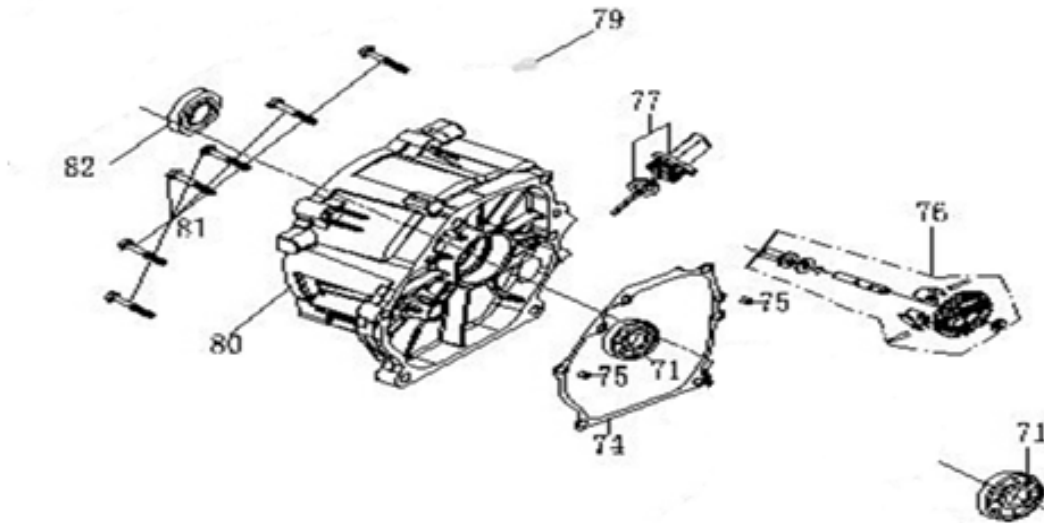


FIG.1 CYLINDER HEAD & CYLINDER COVER ASSY



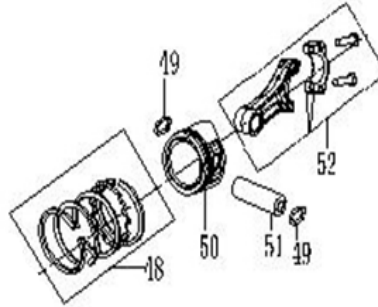
REF	MAIN DESCRIPTION	QTY.	BE PN
2	Cylinder cover	1	85.574.000
3	Sealing gasket,cylinder cover	1	
42	Sealing gasket,cylinder head	1	85.574.002

FIG.2 CRANKCASE



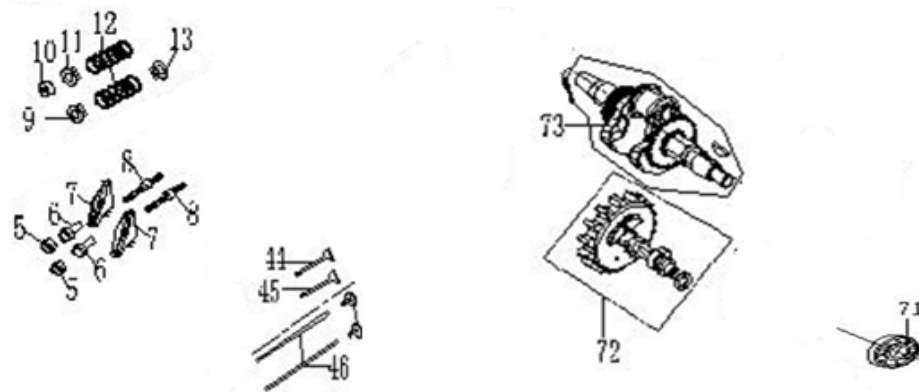
REF	MAIN DESCRIPTION	QTY.	BE PN
60	Oil sensor	1	85.574.003
61	Oil alert	1	
74	Oil Plug	1	85.574.004
82	Oil Seal	2	
77	Oil Level Gauge Comp.	1	85.574.005

FIG.5 PISTON/CONNECTING ROD



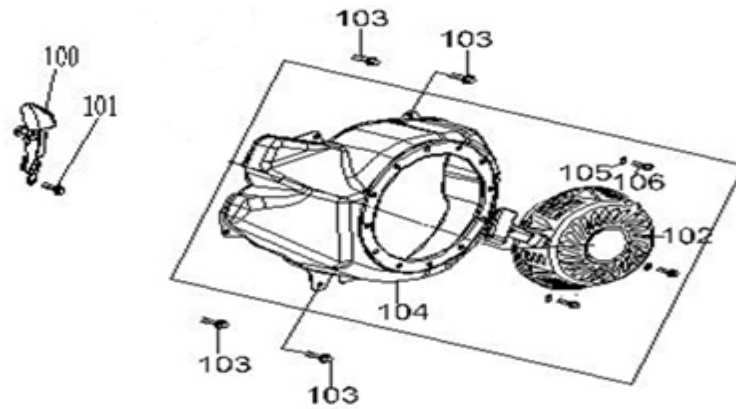
REF	MAIN DESCRIPTION	QTY.	BE PN
48	Piston Ring Comp.	1	85.574.006
49	Rand. Piston Pin	2	85.574.007
50	Piston Pin	1	
51	Piston Pin	1	
52	Connecting Rod Assy	1	85.574.008

FIG.6 CAMSHAFT ASSY



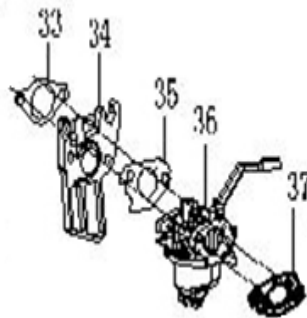
REF	MAIN DESCRIPTION	QTY.	BE PN
71	Bearing	2	85.574.009
72	Camshaft Assy	1	
73	Cankshaft Assy	1	85.574.010
5	Rating nut, rockshaft	2	85.574.011
6	Rockshaft	2	
7	Valve rocker	2	
8	Bolt, rockshaft	2	
9	Spring seat, intake valve	2	
10	Rotor, Valve exhaust	2	
12	Spring, valve	2	
13	Oil drip pan	1	
44	Valve exhaust	1	
45	Valve, intake	1	
46	Valve push rod	2	
47	Valve lifter	2	

FIG.7 STARTER



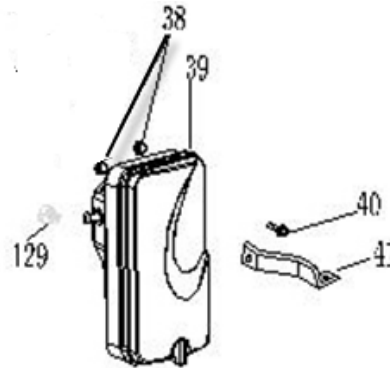
REF	MAIN DESCRIPTION	QTY.	BE PN
100	Wind shield, side	1	85.574.012
101	Flange bolt	1	
102	Recoild starter assy	1	
103	Flange bolt	4	
104	wind scooper	1	
106	Flange bolt	3	

FIG.8 CARBURETOR ASSY



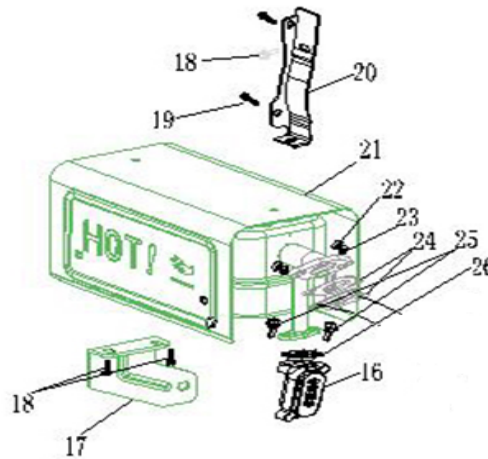
REF	MAIN DESCRIPTION	QTY.	BE PN
33	Gasket, intake	1	85.574.013
34	Link block, carburetor	1	
35	Gasket,carburetor	1	
36	Carburetor assy	1	
37	Gasket, air filter	1	

FIG.9 AIR CLEANER



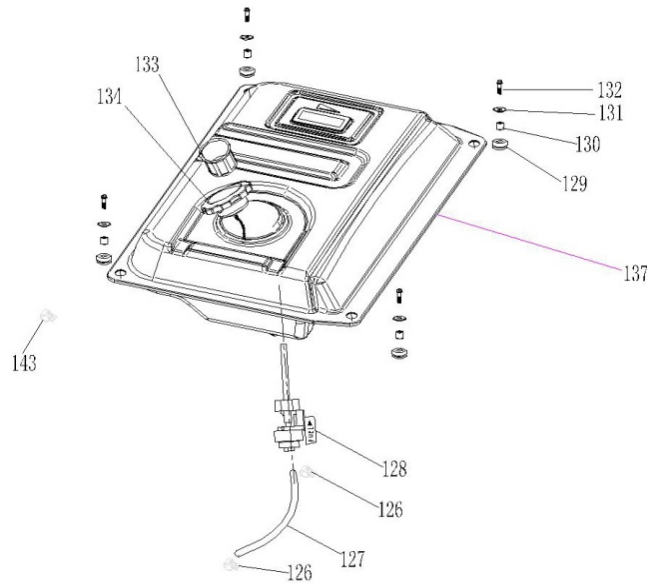
REF	MAIN DESCRIPTION	QTY.	BE PN
38	Flange nut	2	85.574.014
39	Airfilter Assy	1	
40	Flange bolt	1	
41	Air filter bracket	1	
142	Clamp	1	

FIG.10 MUFFLER ASSY



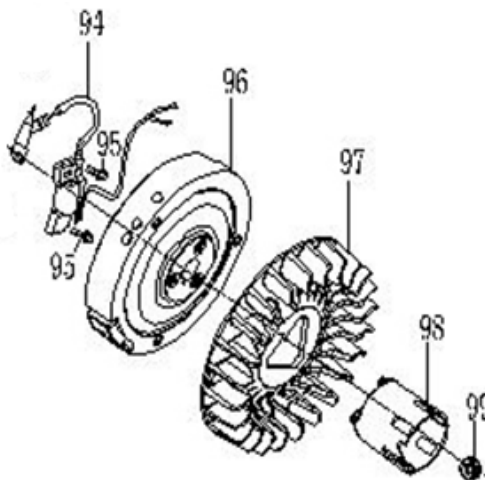
REF	MAIN DESCRIPTION	QTY.	BE PN
16	Secondary gulp valve	1	85.574.015
17	Bracket, muffler	1	
18	Flange bolt	3	
19	Flange bolt	2	
20	Mounting bracket	1	
21	Muffler Comp.	1	
22	Hex nut	2	
23	Spring washer	2	
24	Gasket muffler	2	
25	Flange bolt	1	
26	Gasket,Secondary gulp valve	1	

FIG.11 FUEL TANK



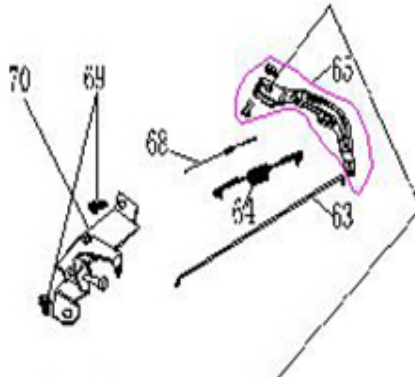
REF	MAIN DESCRIPTION	QTY.	BE PN
126	Clamp	2	85.574.016
127	Fuel hose	0.18	
128	Switch, fuel tank	1	
133	Fuel filter screen, fuel tank	1	85.574.017
134	Cap, fuel tank	1	

FIG.12 FLYWHEEL ASSY



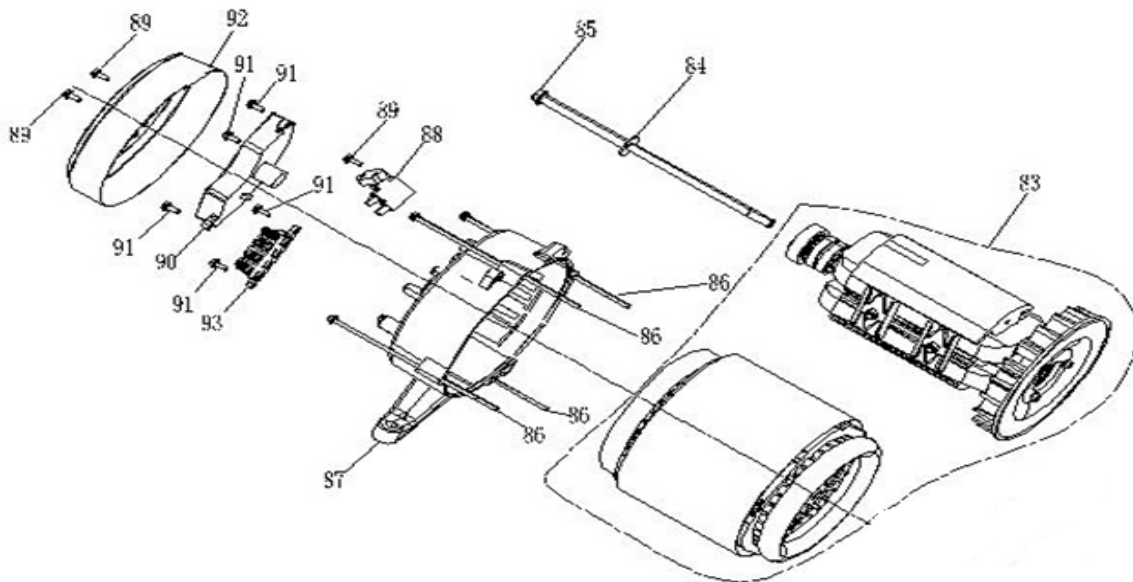
REF	MAIN DESCRIPTION	QTY.	BE PN
94	Ignition coil assy	1	85.574.019
96	Flywheel Comp.	1	85.574.020
97	Cooling fan	1	85.574.021

FIG.13 CONTROL ASSY



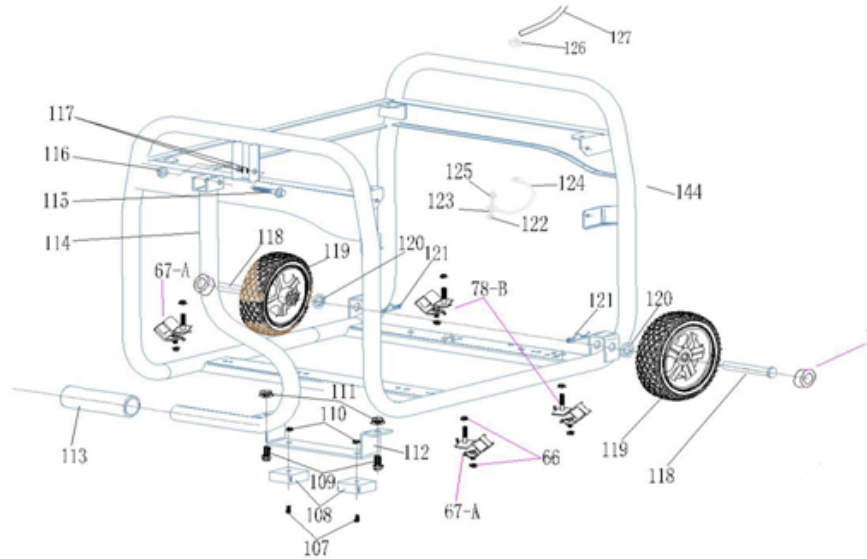
REF	MAIN DESCRIPTION	QTY.	BE PN
63	Speed pull rod	1	85.574.022
64	Fine spring	1	
65	Speed regulating arm comp.	1	
68	Reset spring	1	
69	Flange bolt	2	
70	Speed setting controller assy	1	

FIG.15 ROTOR/STATOR

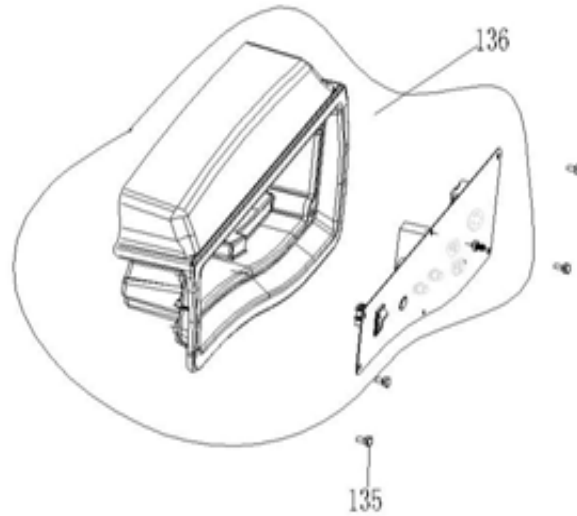


REF	MAIN DESCRIPTION	QTY.	BE PN
83	Alternator comp.	1	85.574.023
87	Bracket Alternator	1	85.574.024

FIG.17 FRAME, ENGINE (F61)



REF	MAIN DESCRIPTION	QTY.	BE PN
66	Hex nut	10	85.574.025
67	Vibration block 1	2	
78	Vibration block 2	2	
107	Flange bolt	6	85.574.026
108	Bracket rubber mat	2	
109	Flange bolt	2	
110	Hex nut	2	
111	Hex nut	2	
112	Bracket comp.	1	85.574.027
113	Handle grisp	1	
114	Handle comp.	1	
115	Flange bolt	1	
116	Nylon nut	1	85.574.028
117	Gasket, rocking beam	2	
118	Axle	2	
119	Wheel assy	2	
120	Flat washer	2	
121	Lock clamp, locating pin	2	
140	Hub, wheel	2	
144	Frame Comp.	1	85.574.029

FIG.18 PANEL SUBASSEMBLY, CONTROL(F62)

REF	MAIN DESCRIPTION	QTY.	BE PN
135	Flange bolt	4	85.574.030
136	Control panel assy	1	