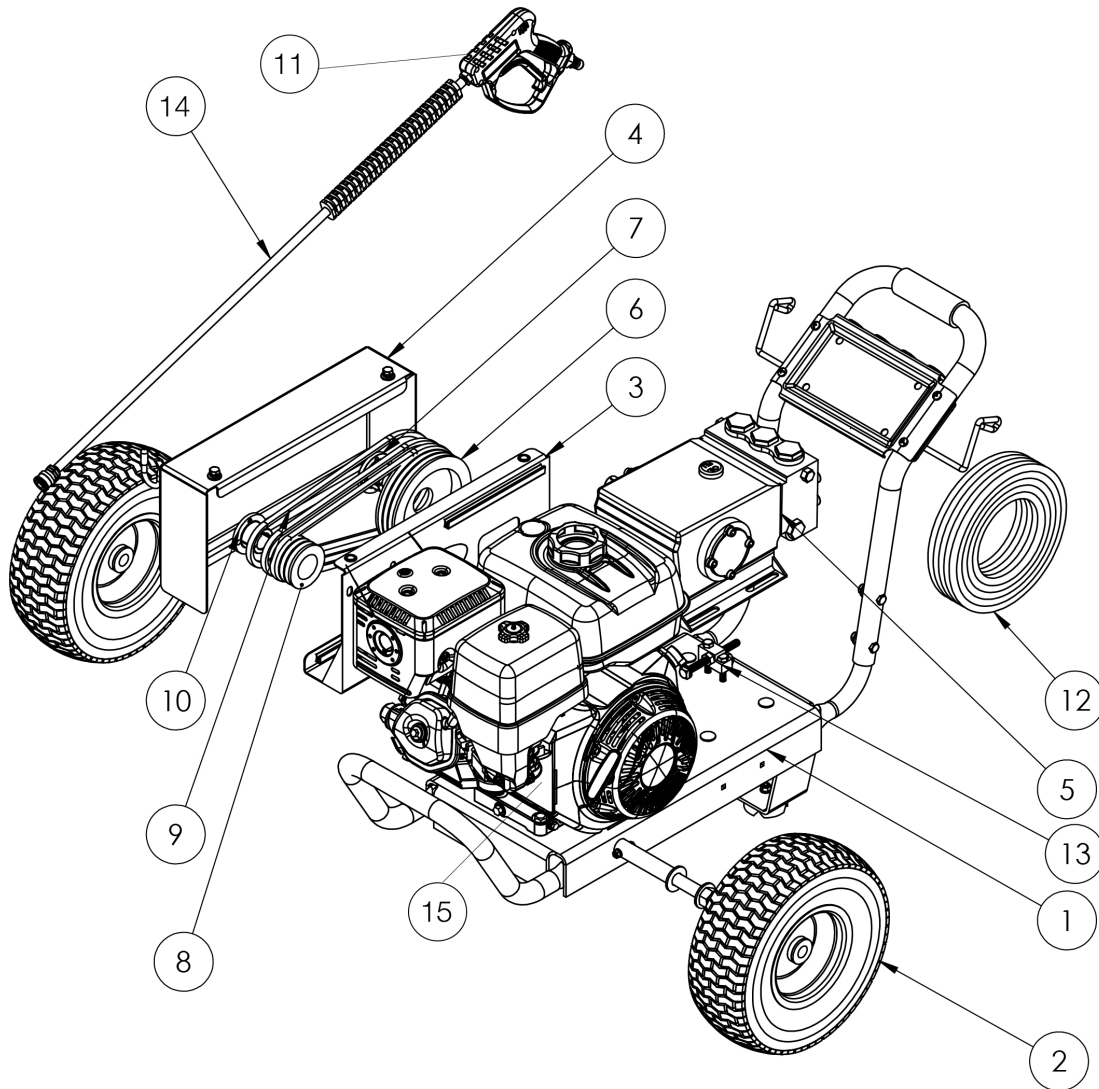




PRESSURE WASHER BREAKDOWN

B4013HABG

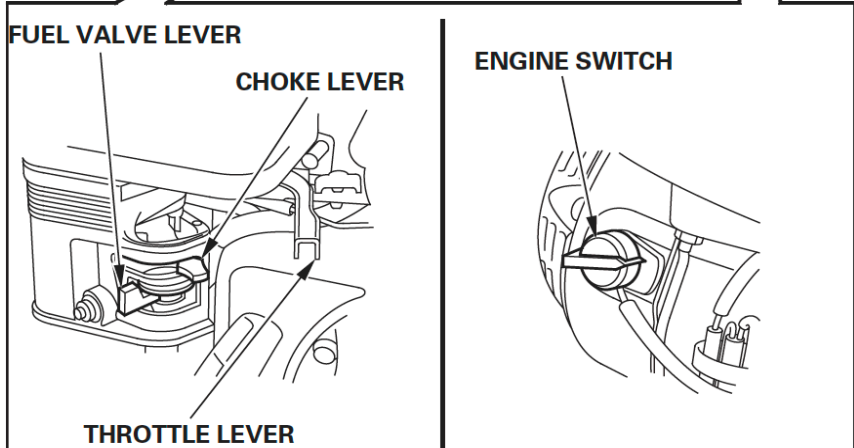
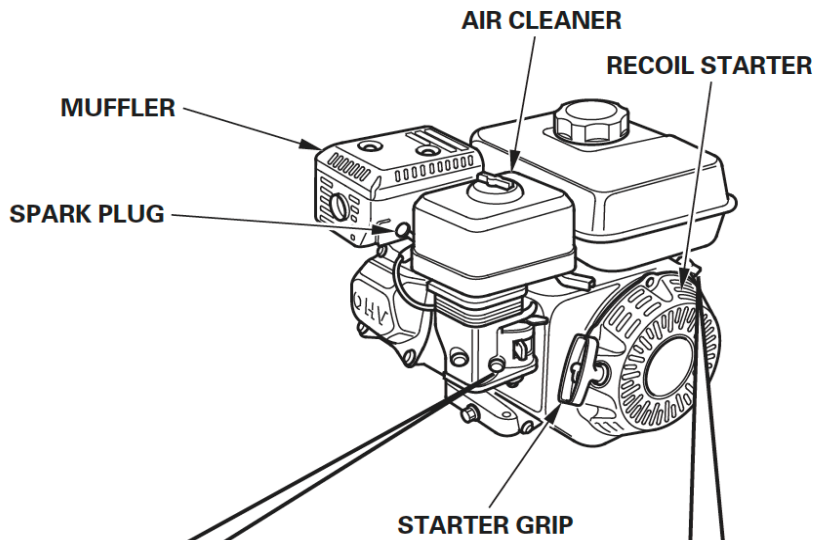
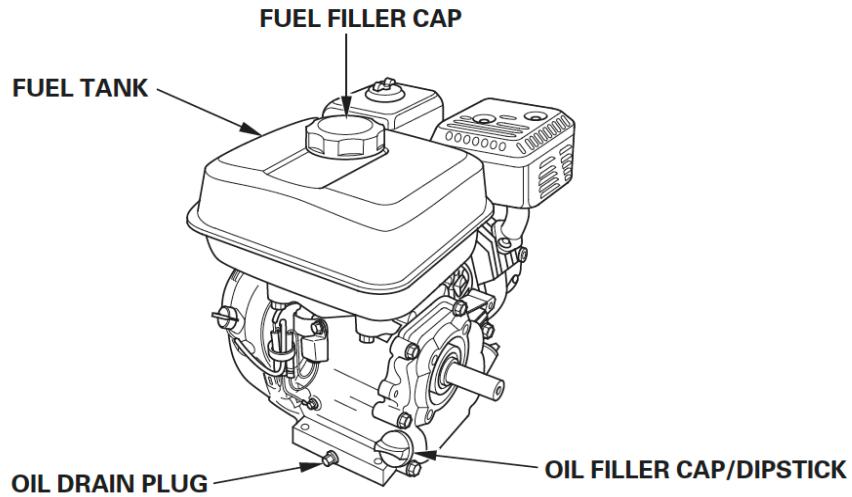


REF #	PART NUMBER	DESCRIPTION	QTY.
1	85.600.088A	ALUMINUM FRAME ASSEMBLY FOR COLD WATER BELT DRIVE UNITS	1
2	85.660.053F	13" MARASTAR TIRE, 2.25" (57mm) CENTERED HUB, NYLON BUSHING	2
3	85.602.088-01	GUARD FOR ALUMINUM FRAME 85.600.088A	1
4	85.602.088-02	ALUMINUM FRAME GUARD COVER	1
5	85.139.005A	PUMP ASSEMBLY, GP TSS1511, 3500PSI	1
6	85.603.057	PULLEY, 6", 3-3V 600SDS	1
7	85.603.056	BUSHING, 24mm SDS	1
8	85.603.054	2.65" PULLEY, 3 GROOVE, 3-3V 265 JA	1
9	47.002.035	3VX BELT	3
10	85.603.055	BUSHING, 1" JA	1
11	85.205.055	5000 PSI GUN FOR HOT WATER USE	1
12	85.238.155	HOSE 50FT 3/8" S/B GRAY BRS QC	1
13	85.601.088	TENSIONER	1
14	85.205.056	WAND	1
15		HONDA GX390	



PRESSURE WASHER BREAKDOWN

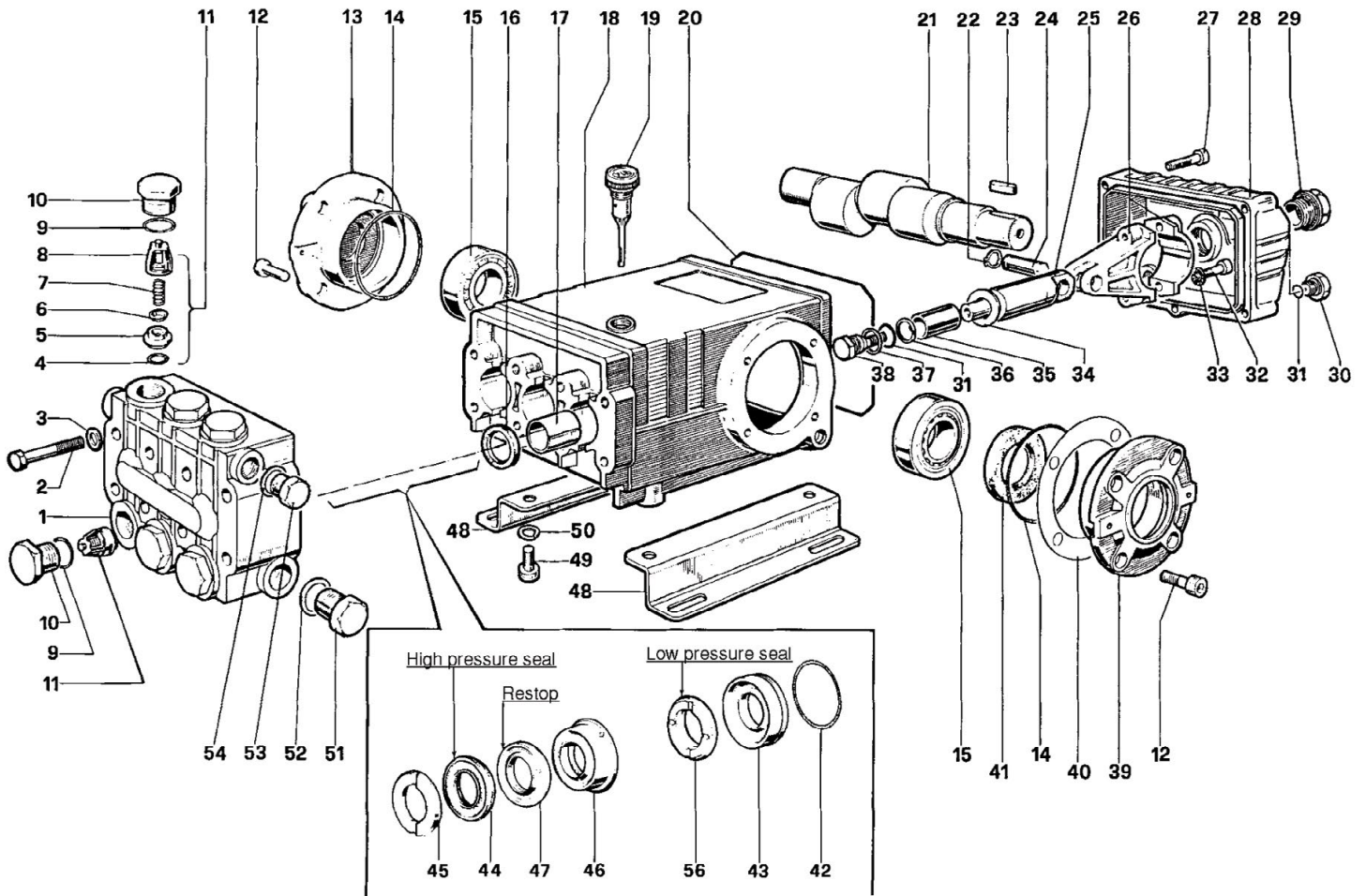
B4013HABG





PRESSURE WASHER BREAKDOWN

B4013HABG



PARTS LIST

ITEM	PART NO.	DESCRIPTION	KIT NO.	QTY.	ITEM	PART NO.	DESCRIPTION	KIT NO.	QTY.	ITEM	PART NO.	DESCRIPTION	KIT NO.	QTY.
1.	47121741	Manifold		1	19.	98210600	Oil Dip Stick		1	37.	96728000	Washer	6	3
2.	99320600	Screw, M8 x 70		8	20.	90392200	O-ring, Cover		1	38.	47219566	Screw, Plunger	6	3
3.	203476	Washer, M8.4		8	21.	47021735	Crankshaft, TSS1021		1	39.	47150022	Cover, Crankcase	10,28	3
4.	701115	O-ring, .674 x .10	1	8		47021835	Crankshaft, TSS1511		1	40.	97567800	Shim		2
5.	36200366	Seat, Valve	1	6	22.	90055700	Ring, Snap		6	41.	90164800	Seal, Oil	3	1
6.	36200176	Plate, Valve	1	6	23.	640048	Key		1	42.	90361600	O-ring, 1.364x.070	10,28	3
7.	94737600	Spring	1	6	24.	97738000	Pin, Wrist		3	43.	47080570	Retainer, Packing	10,28	3
8.	36200251	Guide, Valve	1	6	25.	47050554	Guide, Plunger		3	44.	90270500	Packing	28,69	3
9.	701002	O-ring, .797x.103	4,5	6	26.	47030001	Connecting Rod		3	45.	47100051	Ring, Head, M20	7,28	3
10.	98222800	Cap	4	6	27.	99191200	Screw, M6x30		5	46.	47216970	Intermed. Ring	28,71	3
11.	36703201	Valve Assembly	1	6	28.	47160122	Cover, Crankcase		1	47.	90270400	Restop Ring	28,69,71	3
12.	99303900	Screw, M8 x 16		8	29.	97596800	Oil Indicator		1	48.	47200074	Pump Feet		2
13.	47150122	Cover, Crankcase Side		1	30.	98204100	Cap		1	49.	99364400	Screw, M10 x 18		4
14.	701147	O-ring, 2.675x.103		2	31.	701013	O-ring, .426x.070	6	4	50.	96710600	Washer, M10.2		4
15.	640047	Bearing, Roller		2	32.	99309900	Screw, M8 x 35		6	51.	98217600	Cap		1
16.	90162500	Seal, Oil	2	3	33.	96701400	Washer, M8.4		6	52.	96751400	Washer, M21.5		1
17.	90912600	Bushing		3	34.	96728600	Washer, M14	6	3	53.	98210000	Cap		1
18.	47010522	Crankcase		1	35.	47040409	Plunger, 20 mm		3	54.	96738000	Washer, M17.5		1
					36.	660067	Ring, Back-up	6	3	56.	90271000	Seal, Low Press, 20 mm	28, 69	3