

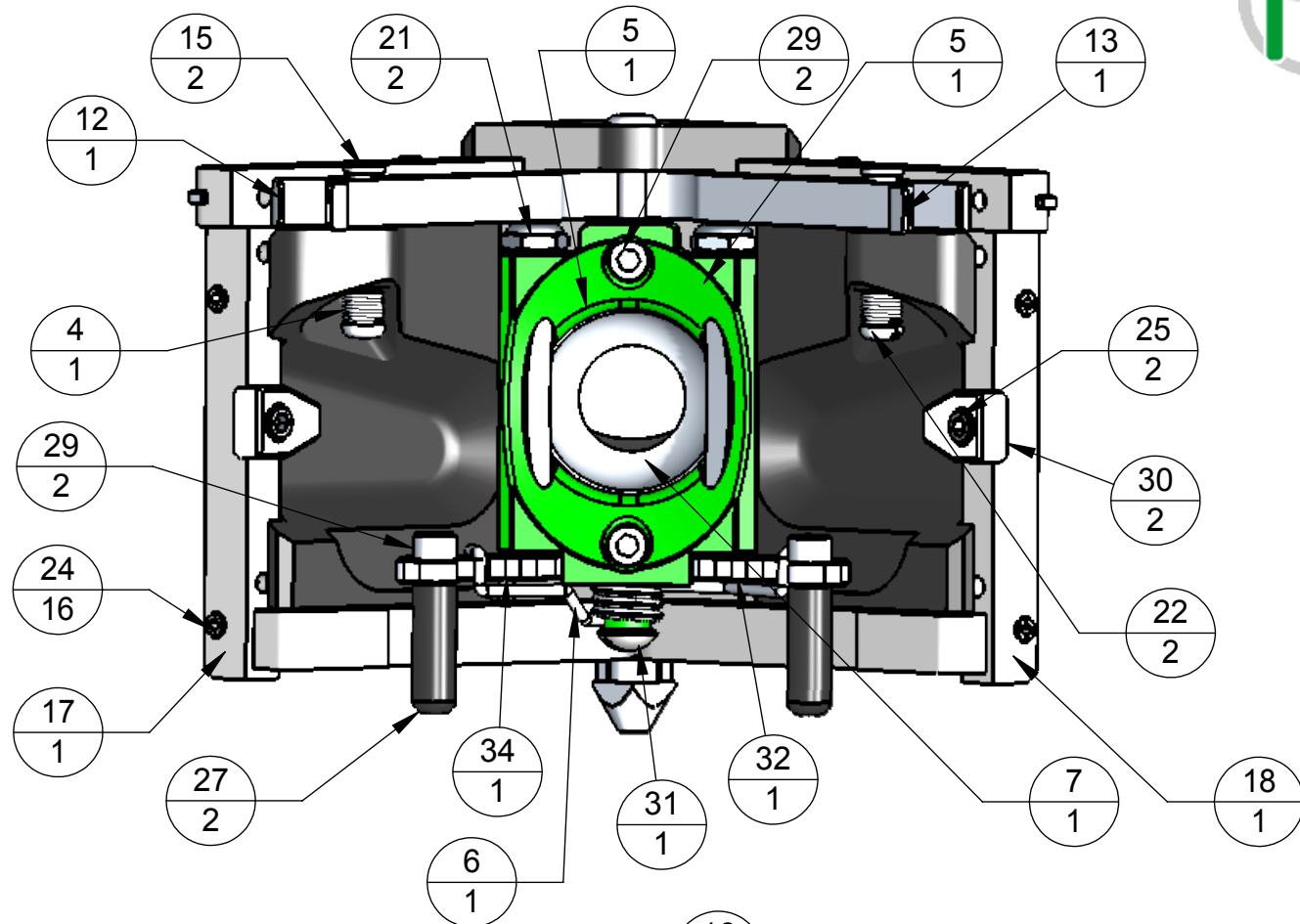


D

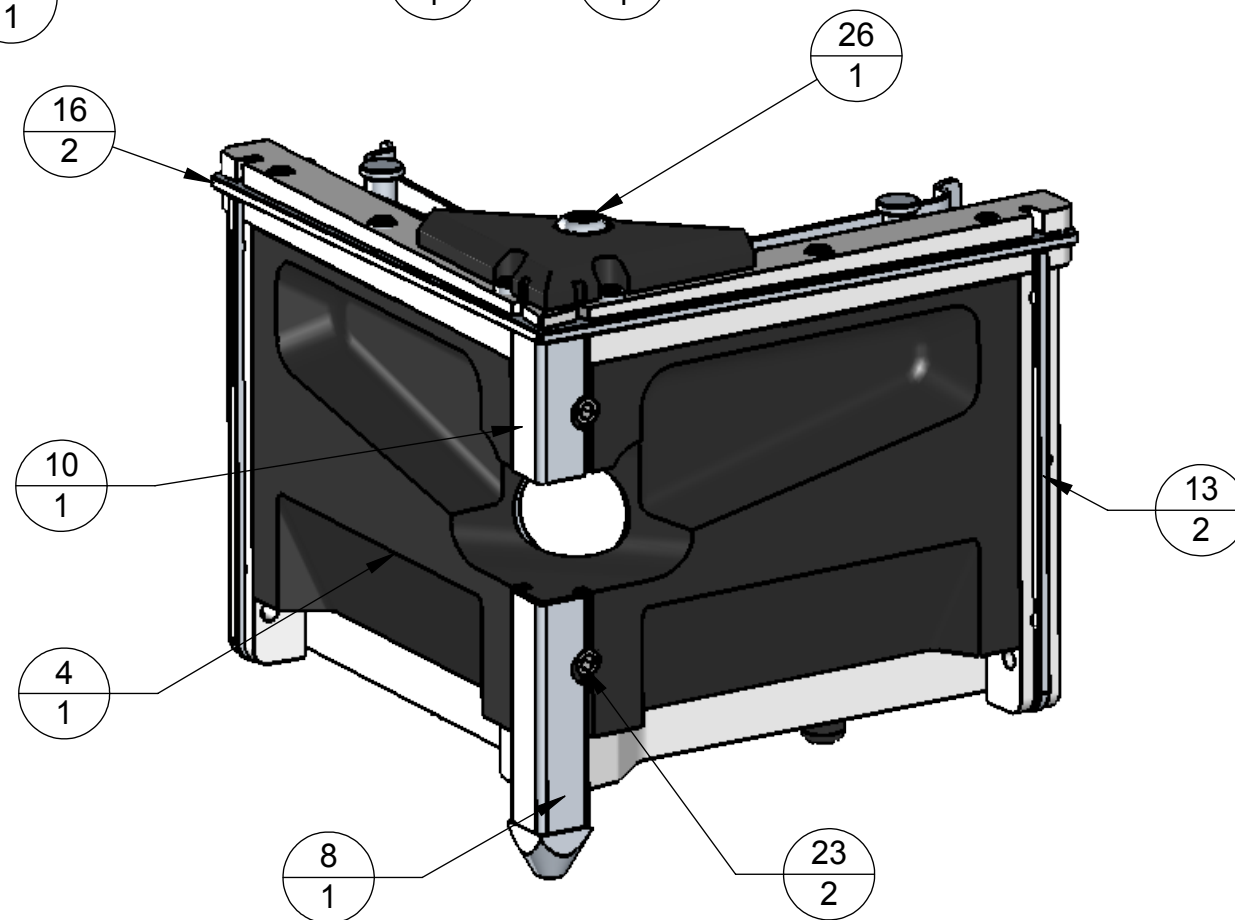
C

B

A



3.5 ANGLE HEAD



ITEM NO.	PART NUMBER	DESCRIPTION	QTY.
4	AH-1-3.5	3.5" BODY	1
5	AH-2	BALL LOCK RECEIVER	1
6	AH-5	BALL LOCK SPRING	1
7	AH-6	BALL SOCKET INSERT	1
8	AH-8-A	BULLET CLIP	1
9	AH-8-B	PLUG	1
10	AH-9	FRONT CLIP	1
11	AH-3	BALL LOCK PIN	2
12	AH-31	INSIDE LEAF SPRING	1
13	AH-32	UPPER LEAF SPRING	1
13	AH-35	SKID BLADE	2
15	AH-33	SPRING ADJUSTMENT PIN	2
16	AH-34	3.5" BLADE	2
17	AH-36 LH	LH- FRAME ASMY	1
18	AH-36 RH	RH- FRAME ASMY	1
19	AH-37	PIN SPRING	2
20	SHW-011	3L3-F NYLINER	4
21	SHW-038	6-32 THIN NYLOCK	2
22	SHW-052	4-40x1/8 LG SLOT PAN HEAD SCREW	2
23	SHW-057	8-32x3/16 LG HEX SET SCREW	2
24	SHW-098	6-32x1/8 LG HEX SET SCREW	16
25	SHW-099	4-40x3/16 LG HEX SOCKET CAP SCREW	2
26	SHW-097	6-32x1/2"L SLOT PAN HEAD SCREW	1
27	AH - 4 B	STAND OFFS	2
29	SHW-059	6-32x3/8 LG HEX SOCKET CAP SCREW	2
30	AH-10M	FRAME CLIP	2
31	SHW-214	6-32X3/16 TRUSS HEAD SCREW	1
32	AH -11RH	RH-BALL LOCK ARM ASMY	1
33	AH -11LH	LH-BALL LOCK ARM ASMY	1

8 7 6 5 4 3 2 1