



register your product at
a2zozone.com/pages/warranty

SP Series Operating Manual



Table of Contents

- **Important Safety Information 2**
- **Technical Specifications 4**
- **SP Series Features 5**
- **Installation Instructions 7**
- **Operating Instructions 11**
- **Schematic Diagrams 13**
- **Maintenance 17**
- **Troubleshooting 19**
- **FAQ 20**
- **Warranty 26**

Important Safety Information

READ AND FOLLOW ALL INSTRUCTIONS

- Install in accordance with the installation instructions.
- Connect to a grounded, grounding type receptacle only.
- Follow all applicable electrical codes.
- To avoid electric shock, be sure to turn power OFF and disconnect from power source before any service work is performed. Failure to do so could result in serious injury or death. A licensed electrician should make all electrical connections. Replace damaged electrical cables immediately.
- Install the ozone generator at least five feet from water using nonmetallic plumbing.
- Install check valves to prevent water from contacting the electrical equipment.
- The electrical supply for this product must include a suitably rated switch or circuit breaker to open all ungrounded supply conductors.
- Ambient temperature around the equipment should be between 40 and 100 degrees Fahrenheit (4.5 to 38 degrees Celsius). If the equipment is installed in an environment with temperatures over 100 degrees Fahrenheit, additional air cooling must be provided. Installation without additional air cooling in an environment where temperatures exceed 100 degrees Fahrenheit for any continuous 24-hour period will void the warranty.
- For your safety, do not store or use gasoline, chemicals or other flammable liquids or vapors near this or any other appliance.
- A spontaneous and violent ignition may occur if oil, grease or greasy substances come in contact with oxygen under pressure. These substances must be kept away from oxygen regulators, cylinder valves tubing and connections, and all other oxygen equipment.

WARNING – Short term inhalation of high concentrations of ozone and long-term inhalation of low concentrations of ozone can cause

serious harmful physiological effects.

PLEASE SAVE THESE INSTRUCTIONS FOR FUTURE REFERENCE

In Accordance With California Regulations -- This Ozone Generator is Solely for Industrial use and Must Be Installed by a Professional.
Potential Health Hazard: Emits Ozone.

Technical Specifications

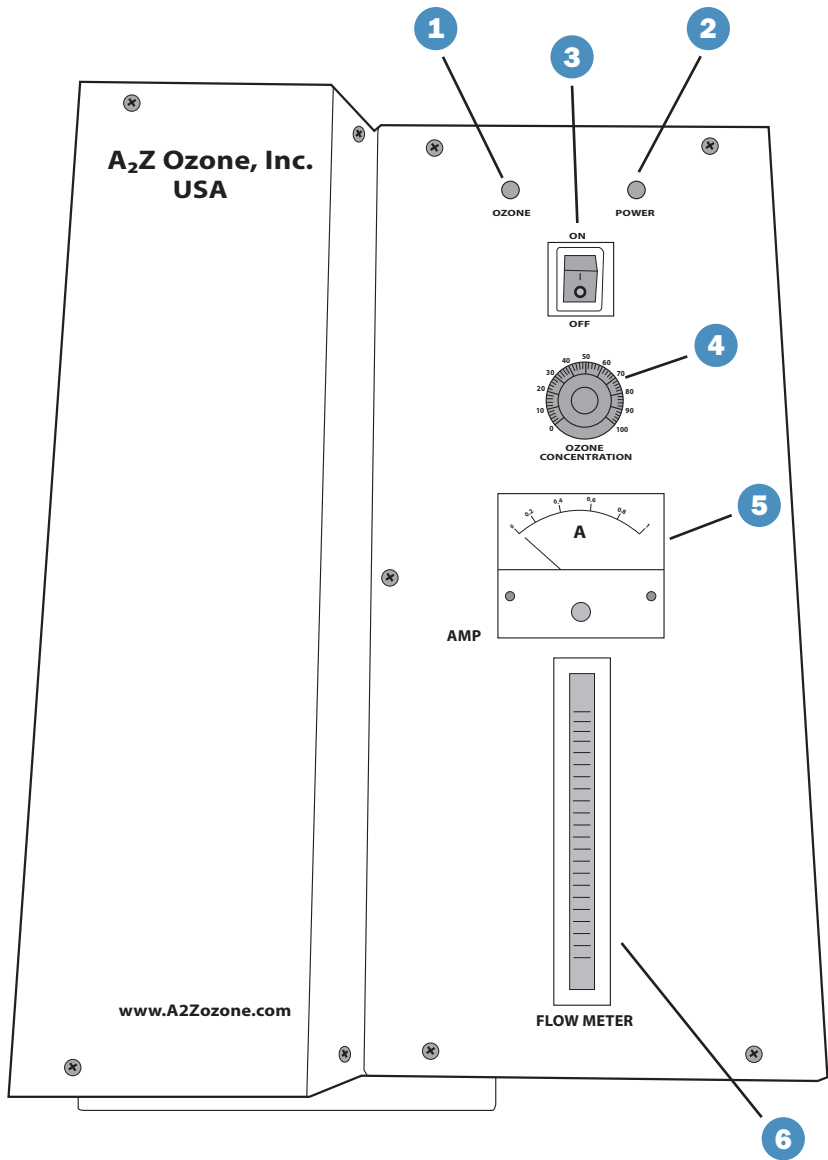
Items Included:

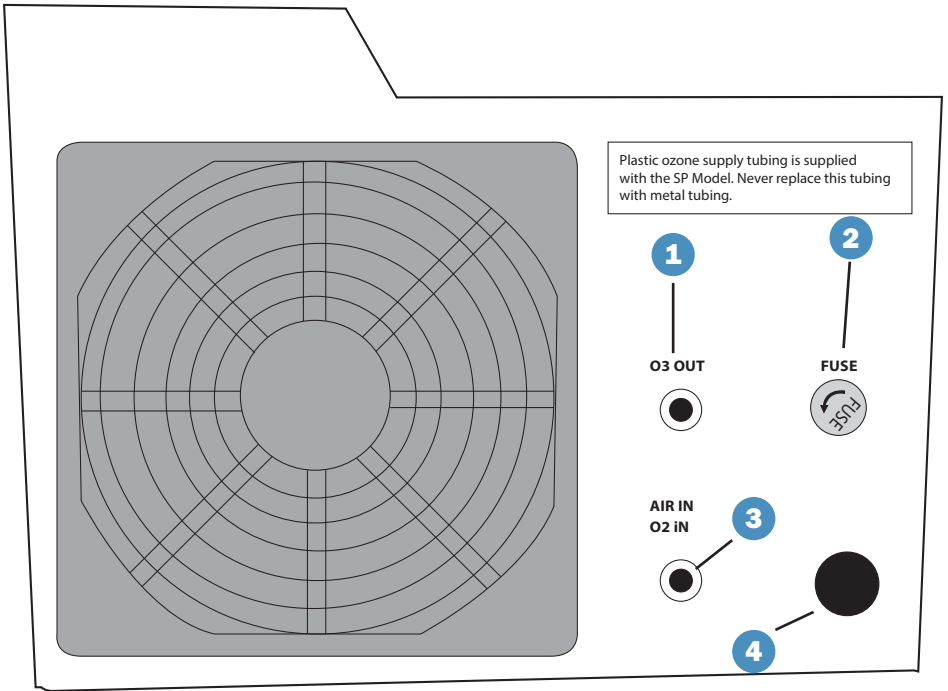
1. SP Swimming Pool Ozone Generator
2. SP Swimming Pool operating manual
3. Flexible tubing
4. PTFE tubing
5. Spare fuse
6. Check valve (2)
7. Spare fan filter

| Model | Ozone Output (g/h) | Electric | Power (Watts) | Size (Inches) | Weight (lbs) |
|--------------|---------------------------|--|----------------------|----------------------|---------------------|
| SP-3G | 3 | 220/240 OR 110/120 VAC 50/60 Hz | 80 | 11X8X14.3 | 14 |
| SP-5G | 5 | | 95 | | 14.5 |
| SP-8G | 8 | | 110 | 12X8X14.3 | 16 |
| SP-16G | 16 | | 190 | 15X8X18 | 22.5 |

SP Series Features

| | | |
|----------|---------------------------------|---|
| 1 | Ozone Light | Indicates ozone is functioning. |
| 2 | Power Light | Indicates when there is power to the unit. If the power is supplied, the light will remain a solid red. |
| 3 | Power Switch | Used to power the unit on and off. |
| 4 | Ozone Concentration Knob | Controls the percentage of ozone produced by the unit. |
| 5 | AMP Meter | Shows real time AMP usage. |
| 6 | Flow Meter | Shows the suction amount created by the venturi (measured in LPM). |





| | | |
|----------|---------------------------|---|
| 1 | Ozone Out Port | Ozone is sucked out and injected into the water. |
| 2 | Main Fuse | If the unit has no power, check here first. |
| 3 | Air/Oxygen In Port | This sucks in air for the unit to produce ozone. Please do not block this intake port. Optional oxygen intake or air pump location. |
| 4 | Power Cord | Supplies power to the unit. |

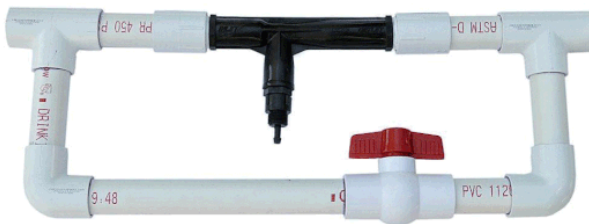
Installation Instructions

Ozone Generator Placement

- Install the SP Series in a clean, dry area with good ventilation.
- Select a location for the ozone generator that is as close as possible to the ozone injection point.
- The SP Series enclosure is not rain proof, so it is important to choose a location that will keep the system away from direct weather and excessive heat.
- The ozone generator should be placed above water level because if pressure is lost in the venturi vacuum, gravity will cause water to travel down the ozone output tube and enter into the ozonator.
- Situate the unit in a manner suitable for convenient electrical access.
- Mounting holes are located on the back of the ozone generator for convenient wall mounting (mounting hardware is not provided).
- The basic installation method for the SP Series system is through a venturi injector manifold plumbing connection.
- The venturi injector manifold must be assembled (venturi injector is sold separately).

NOTE: Be sure to place the ozone generator in temperatures 40 and 100 degrees Fahrenheit (4.5 to 38 degrees Celsius).

Venturi Injector Installation



A typical venturi injector manifold

- Refer to the Venturi Injector installation diagram and follow the instructions below if the ozone is being injected directly into the full flow of the pool's return line:
 - Identify the pool water return line after the pump, filter and heater, then tap into this point.
 - The ozone injection point should be the last component in line and as far as possible from the injection point of the residual chemical.
 - Glue in the proper injector manifold, noting the direction of flow which is indicated by an arrow on the injector.
 - Once the injector is installed, the vacuum may be adjusted as described in the Operating Instructions section.

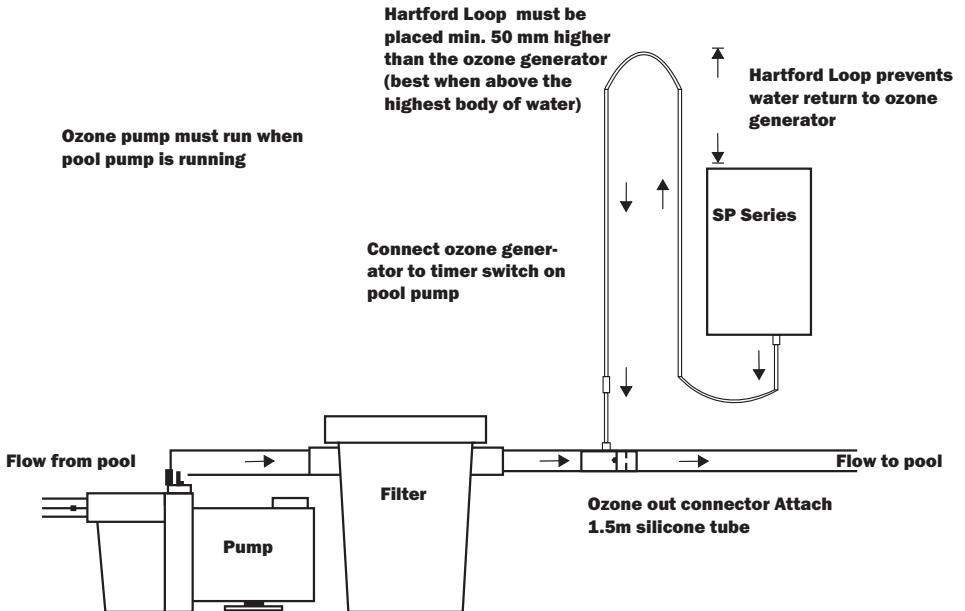
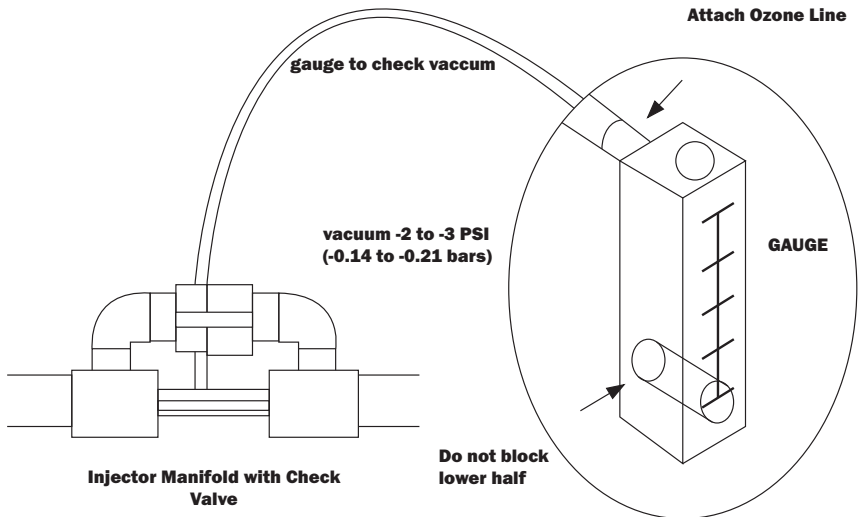


Figure 1.2

Details of Venturi Injector Manifold

- Install the venturi injector with a bypass valve on the water return pipeline.
- The arrow on the venturi injector manifold MUST be set as the same direction as the water flow.
- Turn the water pump on and close the bypass valve until the vacuum is created at the venturi input.
- Use the installed flow-meter to check vacuum for -2 to -3 PSI (-0.14 to -0.21 bars) or place a finger over the end of the venturi valve to feel the vacuum while adjusting the bypass venturi valve.
- As ozone is injected into the water line, air bubbles should be observed in the water of the swimming pool.



Main Power

- Use the power cable provided to connect the SP Series to properly rated and grounded receptacle.
- If the ozone generator will be used where water is present, a ground fault circuit interrupter must protect the circuit.

Tube Connection and Start Up

- Connect a silicone tube (if using an oxygen generator, oxygen tank, or external air compressor) to the SP Series unit (Air In) and direct it away from any hot and humid air towards the ozone cell.
- This will serve as oxygen or fresh air for ozone production.
- Connect the ozone generator PTFE tube (Ozone Out) to the venturi injector manifold.
- Install a check valve 10 inches after the ozone outlet tube fitting (the venturi has an internal check valve).
- This can be done by cutting the tube ten inches after ozone out fitting.
- Next, connect both ends of the cut tubes to the check valve.
- Please direct the arrow on the check valve toward the venturi injector.
- First, start up the swimming pool water recirculation pump.
- Make sure there is a vacuum at the venturi injector via a gauge. Test it by putting your finger on the venturi injector opening.
- A small suction should be felt at this injector opening. This is what is needed to get the ozone production out of the SP unit and injected into the pool's piping system.
- Check that the flow meter indicates that the air flow is at least 2 LPM.
- Now, connect the PTFE tube from the venturi to the ozonator.
- Turn on the power on the external panel of the ozone generator.
- The ozone indicator light should illuminate and the unit's fan should turn on.
- Increase power to the cells by turning the ozone knob clockwise.
- Please refer to the charts above for the approximate ozone concentration for your size of pool.

Operating Instructions

System Run Times

On residential pools, the ozone generator should operate for six to eight hours per day. Normally, the ozone system will run whenever the pool filtration system is operating. Since commercial pool and spa filtration systems normally operate 24 hours a day, the ozone system will run continuously on a commercial pool.

Understanding Your Water

If a high concentration of any mineral (such as calcium or iron) exists in the water, it is necessary to treat it before starting the ozone system.

NOTE: This should be required only when the pool is drained and refilled.

If the water is clean and clear, the ozone system may be started immediately. If the water is dirty and cloudy, it is recommended that it is drained and the filters thoroughly cleaned before refilling and starting the system.

NOTE: It is not recommended that an in-ground pool be drained in the winter or after the first rain of a season. Use a shock treatment instead of draining to avoid the possibility of severe damage resulting from “floating” the pool out of the ground.

Ozone and Bromine

Ozone has a short half-life which means it dissipates and re-transforms into oxygen very quickly. Therefore, a small residual of another disinfectant must be maintained. We recommend the use of bromine in indoor pools. Bromine residual will act as a buffer when the ozone system is not operating. Bromine needs to be maintained only 1.0 PPM (Parts Per Million) so that the trace amount of the product in the water will not be noticed. Chlorine will also work as a residual oxidizer and may be used effectively in conjunction with the ozone system.

Ozone and Chlorine

For outdoor pools, we recommend the use of chlorine to supplement the ozone. Chlorine residual will act as a buffer when the ozone system is not operating. Chlorine needs to be maintained at 1.0 to 2.0 PPM (Parts Per Million).

Water Preparation

To properly prepare the water for the ozone system, make the following adjustments and maintain the levels outlined below:

| | |
|-------------------------|----------------------------------|
| Bromine | 1.0 PPM |
| Chlorine | 1.0 to 2.0 PPM and pH 7.2 to 7.6 |
| Total Alkalinity | 100 to 150 PPM |
| Calcium Hardness | 200 to 350 PPM |

NOTE: If any unusual reactions are experienced when ozone is introduced into the water (such as abnormal color or odor), please wait a few days to give the ozone and filter system time to work.

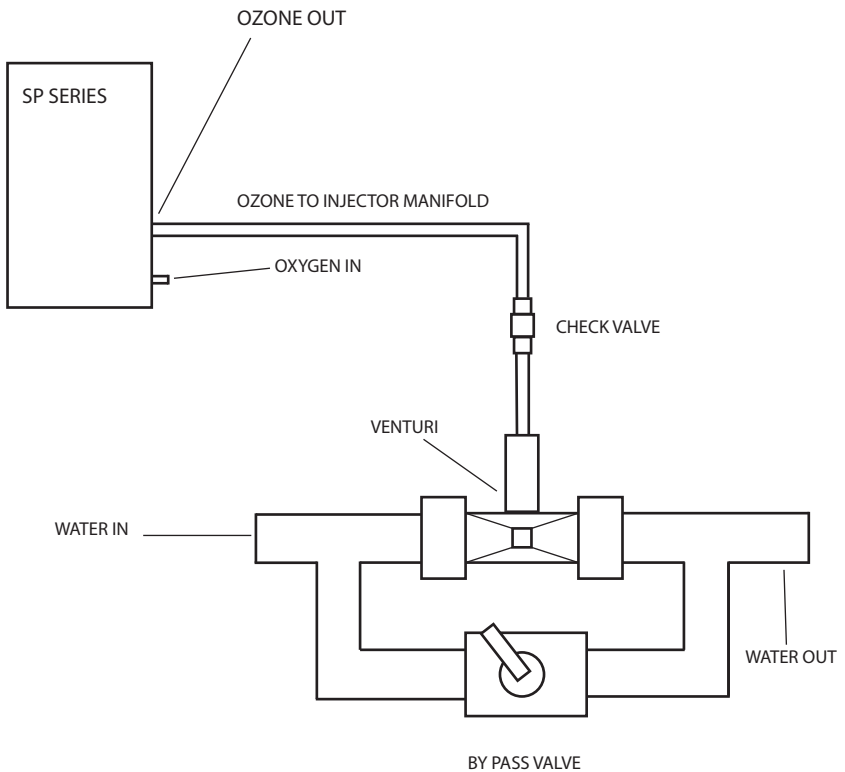
Algae

Always maintain the recommended residual levels of bromine or chlorine (at least 1.0 PPM) to help control algae formation. Brushing the poolside once a week is also effective. Additionally, using an algaecide is effective.

Shock Treatment

If an unusually high bather load causes cloudiness in the water, it is recommended that a chlorine shock treatment be used to assist the ozone in cleaning the water. Routine, periodic shocking is recommended to prevent buildup of organic contaminants, especially with indoor pools.

Schematic Diagrams



INJECTOR MANIFOLD

(Figure 1.1)

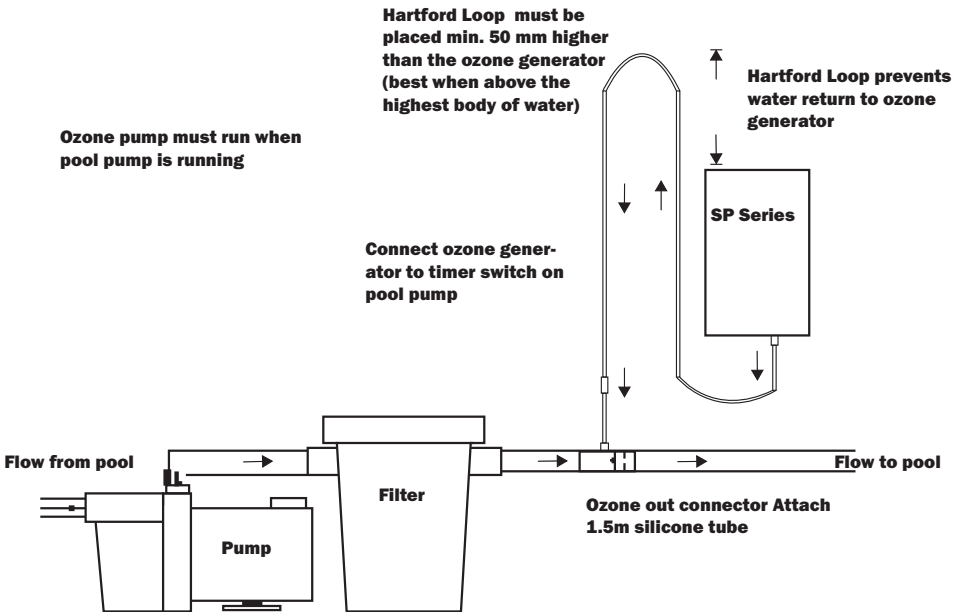
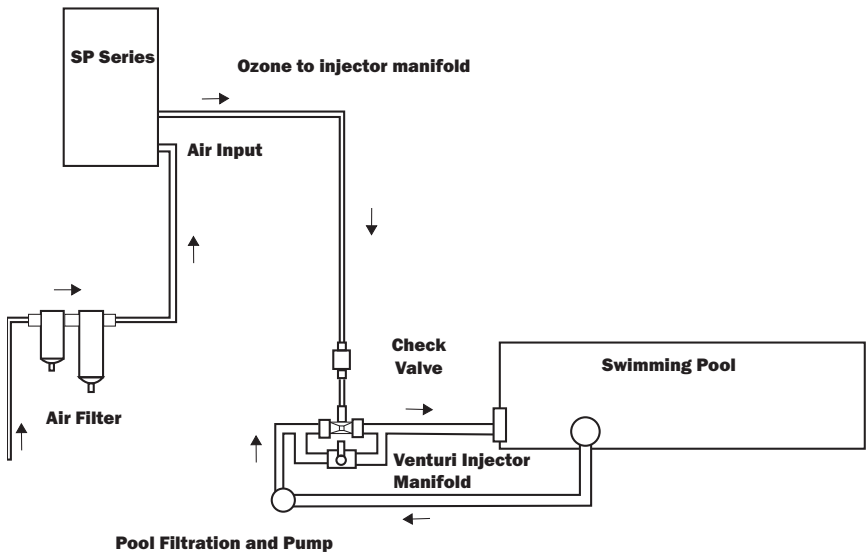


Figure 1.2

NOTE: SP UNIT AND OZONE LINE SHOULD BE ABOVE WATER TANK LEVEL. THIS PREVENTS WATER BACK FLOW TO THE OZONE GENERATOR.



(Figure 1.3)

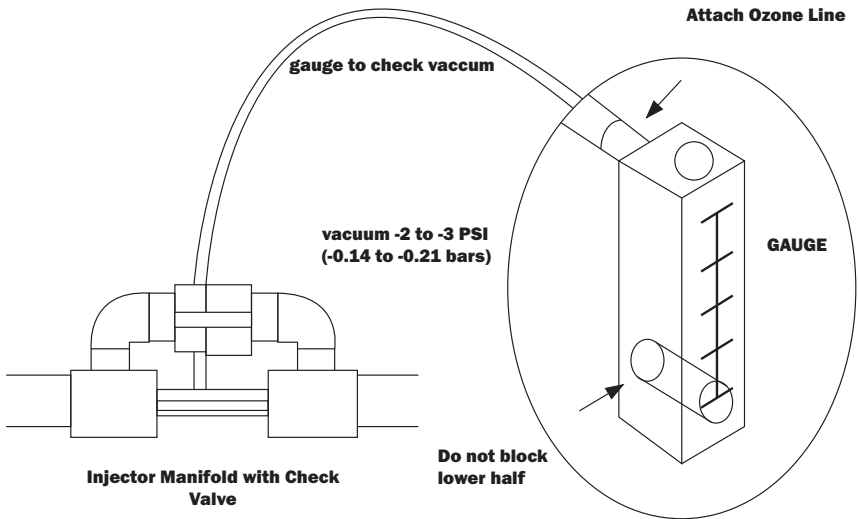


Figure 2

Maintenance

Clean Air Filter

This filter must be cleaned regularly. Depending on the location of the unit, it may be necessary to clean the air filter monthly. The filter elements are located on the bottom of the cabinet (see illustration below). This is the air intake element for the cooling fan and may therefore require the most frequent cleaning. The element may be cleaned with soap and water and should be dried completely before reinstalling. Clean this filter regularly. Failure to do so will promote overheating and void the warranty.

NOTE: In a clean environment, this procedure may only need to be performed every three months.

- Turn the SP Series ozone generator off.
- Clean the filter screen with water and soap.
- Dry the filter with a clean towel.
- Install the screen back onto the unit.
- Turn the ozone generator on.
- Be sure the unit's screen does not touch fan blade.

Swimming Pool Filter

Ozone will keep the water much cleaner than any other type of water purification system. This is due to the fact that ozone neutralizes body oils and soaps. After ozone kills the bacteria, the byproducts of the process are oxygen, carbon dioxide and filterable solids. Since filterable solids are usually higher levels with conventional disinfection processes, the filter will have more work to do. Keeping the filter clean will make a noticeable difference in the clarity of the water. It is recommended that a regular filter cleaning schedule is established, or poor water flow through the filter will result. This will have a direct effect on the amount of ozone that enters the water.

CAUTION: There is extremely high voltage inside the ozone generator. If you suspect a problem, disconnect the power to the unit at the service disconnect box or main electrical panel and immediately

contact your swimming pool maintenance technician. Inspect the ozone delivery line check valves daily for water seepage and strongly recommend replacing the injector check valve yearly.

Check Valves

Two check valves are available for the ozone delivery system. One where the ozone tubing attaches to the ozone generator and one where it attaches to the injector. The purpose of these check valves is to prevent water from backing up into the ozone generator. The PTFE ozone delivery line(s) should be inspected daily to ensure water is not flowing back into the ozone generator. Check valves should be replaced yearly.

NOTE: The only time it is possible for water to flow back toward the ozone generator is during a system shutdown. Always inspect for water seepage during this time.

Fuses

Fuse is located on the panel at the bottom of the unit. The fuse is 3 AMP for SP-3G to SP-8G and 6 AMP for SP-16G.

Troubleshooting

The test method for failure of the ozone generator:

- Check the power input for correct voltage (110V or 220V)
- Unit is on, but no ozone; this is due to overheating or water back flow to the ozone generator.
- Turn off ozone generator and let air flow through the unit for 1 to 2 hours to dry the ozone tube.
- Check the main fuse, change if needed. It is a 3 AMP for SP-3G to SP-8G and 6 AMP for the SP-16G fuse.
- Check the tubing inside the machine for kinks.
- If the machine can produce some air, but the air is not ozone; please check the following:
 - The power indication lamp is lit.
 - Check ozone control knob is set above zero.
 - Check ozone board fuse, 3 AMP.
 - Check wire from terminal to ozone board.
 - Check pot wire is connected to ozone board.

If you are still experiencing problems, please contact A2Z Ozone for more information.

FAQ

What are the benefits of using ozone?

- Bacteria kill rate is up to three thousand times faster
- 50% stronger oxidizer than chlorine
- Reduces traditional chemical usage between 60% to 95%
- Reduce handling and storage of unsafe chemicals
- Reduce constant purchasing of harmful chemicals
- Eliminate red, irritated eyes, dry itchy skin
- Eliminate costly replacement of faded swimwear
- Remove unpleasant chlorine odors
- No adverse health or environmental effects
- Improvement of the filter and coagulant capacities = reduction of coagulant use and less water backwashing
- Water consumption can be decreased, because of an increase in water quality

Can I stop using Bromine?

You will definitely reduce your chemical usage in your pool up to 95% depending on weather conditions and pool characteristics. Ozone provides better water quality and oxidizes many contaminants that bromine cannot. However, ozone only lasts in pool water for a short period of time (15-30 minutes) therefore in order to provide lasting protection during times when ozone is not being injected, to control algae and to oxidize ammonia and swimmer waste, you must maintain a small residual of bromine (1.0 to 2.0 PPM of bromine) in the water. The longer the ozone system operates the less bromine you will have to use to maintain water quality. Ozone will kill algae at the point of injection, not algae that are growing on the pool walls. Recommended dosage for Sodium Bromide is 20g per 1000 liters of water every 6 months.

How does ozone get into the water?

Ozone is a gas and it is only slightly soluble in water. It must be thoroughly dissolved in water so that the chemical reactions with

contaminants can take place. The most common way in swimming pools is with a venturi injector, which is a device a 100mm in length with each end the same diameter (40/50mm) as the pool plumbing line. A section of pool piping is removed, and a venturi injector is installed. The injector's diameter is smaller in the middle, similar to squeezing or pinching a hose. The water traveling into the injector begins to move faster. In the middle of the injector there is a small hole. As water is pumped through the plumbing and past the hole, a vacuum is created. The amount of vacuum is dependent on the amount of water flow through the injector – more water equals more vacuum. If a small flexible hose or tube is attached to this small hole, a liquid or gas can be drawn into the injector and mixed into the water. The goal is to make the smallest bubbles possible and to keep the bubbles in contact with the water for as long as possible. The ozone that does not get dissolved will kill or oxidize anything in the water.

How long will ozone last in my pool?

For the purification of water and air, it's needed to produce ozone on-site. Because of its short half-life, ozone will decay soon when produced. The half-life of ozone in water is about 30 minutes, which means that every half hour the ozone concentration will be reduced to half its initial concentration. For example, when you have 8g/l, the concentration reduces every 30 minutes as follows: 8; 4; 2; 1; etc. In practice, the half-life is shorter because a lot of factors can influence the half-life. Factors are temperature, pH, concentration and sort solutes. Because ozone reacts with all kinds of components, the concentration of ozone will reduce quickly. When most of the components are oxidized, the residual ozone will remain, and the concentration of ozone will reduce.

Will the temperature or humidity of the air/water affect ozone?

The temperature and humidity of the air will directly impact on the concentration of ozone gas produced. The more humid and hotter the air, the less concentrated the ozone produced will be. Likewise the temperature of the water has a similar effect; the cooler the water

the ozone is injected into, the more effective the ozone will be at removing contaminants. Heated pools require 10-15% more ozone than traditional pools.

Is ozone safe for my pool equipment?

Most pool systems these days come supplied with the plumbing that is ozone-resistant, example PVC piping. However, ozone gas can corrode metal and other materials such as nylon and rubber. Care must be taken to check that all plumbing and piping between the injection point (Venturi Injector) and the point of entry to the pool are made of ozone-resistant materials. All our ozone generators are supplied with ozone-resistant accessories.

Is ozone safe for swimmers?

Ozone is dissolved in the water in pH neutral so the pH will not harm equipment or people. The amount of ozone added to the water is enough to kill bacteria, virus, cysts, mold and spores, but is safe and non-toxic to humans and pets – no red, irritated eyes and dry, itchy skin. When properly installed and plumbed all of the ozone generated will be dissolved in the water or used up oxidizing impurities in your water.

Does ozone affect water balance?

Ozone has a neutral pH (about 7.0) so it does not affect pH. Ozone has no calcium, no alkalinity, and no dissolved solids. Therefore, ozone does not affect water balance. It does remove trace amounts of metals such as iron or copper by oxidizing them to their highest oxidation state. They will then precipitate out of the water and be trapped by your filter.

Can I run my pump and filter for fewer hours?

Ozone is only injected into your water when the pump is running. The longer you run the ozone generator (And your pump and filter), the best your resultant water quality will be and thereby reducing the need for residual chemicals. During summer/swimming season you should run your ozone generator, pump and filter a minimum of 12 hours each day. We recommend that you run your pump for 24 hours a day in the summer. Up to 80% of the water treatment is done by

your filter, so don't be afraid to use it. The extra electricity cost will be compensated by the savings on costly chemicals.

Will there be a visible change to my water?

Yes, when ozone is first introduced into your pool water and during the first 72 hours, your pool water may get cloudy. Ozone will begin to oxidize all of those particles and metals that your present sanitizer would otherwise leave in your pool. When these particles are oxidized, they form visible particles that are heavier than water and precipitate. Also, there will be pieces or fragments of the cells that ozone has destroyed. So the cloudiness that you may see is oxidized materials, pieces and fragments of cells, and metal precipitates. Some of the dirt and debris in the water is too small to be trapped by the filter. These small-sized dirt particles have a weak electrical charge or pole. Because all the dirt particles have a negative charge, they repel each other like two magnets. They are so small that they are not affected by gravity and therefore won't settle out either. Ozone neutralizes these charges, which allows the particles to combine into large enough particles to be trapped by the filter. Once these particles are oxidized, neutralized and filtered, the water will have a definite "clarity and sparkle" that you may not have experienced before. In addition, after the ozone does its work, it reverts back to oxygen. This added oxygen will make the water look, feel and even taste better.

How should I prepare my pool or installation of the ozonator?

- Backwash pool
- Adjust alkalinity with hydrochloric acid or sodium bicarbonate 80-100ppm
- Adjust pH 7.2 to 7.8 (HCL acid to lower and sodium bicarbonate to increase)
- Shock treat with hydrogen peroxide 35% (100mL/1000 Liters pool water)
- Ozone is used as primary sanitizer and sodium bromide as secondary or residual sanitizer
- Sodium bromide should test between 1-2 ppm (dosage: 20g per 1000 liters of water every 6 months)

What special maintenance will the swimming pool require?

- Shock treat with hydrogen peroxide
- Maintain total alkalinity with hydrochloric acid or sodium bicarbonate 80-100ppm
- Maintain pH 7.2 to 7.8 (HCL acid to lower and sodium bicarbonate to increase)
- Shock treat with hydrogen peroxide 35% (100mL/1000 Liters pool water)
- Keep pool clear of leaves and debris
- Check and clean basket daily. Backwash regularly.
- Use Algaecide if required—consult supplier for ozone compatible type

What special maintenance does the SP unit require?

- Check non-return valve for signs of water returning into the tube to the ozone generator – replace if necessary.
- Check the silicone tube for deterioration – replace if necessary.
- Check the unit for internal air filter for blockage.
- Check that small, fine bubbles are coming from pool return jet.
- Make sure no debris or dirt is blocking fan guards.
- Use the fingertip test on the air inlet port to the ozone generator to check that suction is still present and venturi injector is working correctly.

How do I know if there is enough ozone for proper sanitation?

This can be a difficult question to answer. Experts have not been able to develop minimum or maximum level for ozone in swimming pool water because of the multiple variables involved such as air temperature, water temperature, humidity and bather load. Pool owners who have been using chlorine or bromine for a few seasons know how much sanitizer they use in a season or year. Installing an ozone generator in these pools has resulted in a significant reduction in the amount of chemical sanitizer used. The longer the ozone operates each day, the greater the reduction in chemical sanitizers.

Pool owners have had reductions in sanitizer use of 50-90%. Your savings may vary based on pool usage factors. Ozone is not sold on the basis of being less expensive than other sanitizers such as chlorine and bromine are. Its value is in smoothness and sparkles to the pool water, elimination of the dry, itchy skin that chemicals can produce burning red eyes and bleached bathing suits. Other important advantages include reduced pool maintenance and reduced exposure to toxic chemicals in storing, handling and swimming.

Will my ozone generator help the ozone layer?

Ozone from a swimming pool ozone system will not add anything to the atmosphere or the ozone layer. When injected into the water properly, no ozone escapes into the atmosphere. Even if it does get into our atmosphere, it is like a drop in the ocean. Also, the ozone would have to be transported 9 to 18 miles up. The ozone results almost entirely from oxygen (O₂) splitting apart into two atoms of oxygen (O₂) by solar ultraviolet radiation (the sun's UV rays) and then combining with molecular oxygen (O₂) to form ozone (O₃). Atmospheric ozone plays a critical role for the Earth by absorbing the ultraviolet radiation from the sun with a wavelength of between 240 and 320 nanometers (nm), which would otherwise be transmitted to the Earth's surface. This radiation is responsible for sunburn to human skin. In addition, the incidence of skin cancer has been statistically correlated with UV light intensities of 290 to 320 nm.

Warranty

A2Z Ozone Systems Inc. - ONE YEAR LIMITED WARRANTY

The limited warranty set forth below applies to products manufactured by A2Z Ozone Systems Inc. - and sold by A2Z Ozone Systems or its authorized dealers. This limited warranty is given only to the first retail purchaser of such products and is not transferable to any subsequent owners or purchasers of such products. A2Z Ozone warrants that it or its authorized dealers will repair or replace, at its option, any part of such products proven to be defective in materials or workmanship within ONE (1) year from the date of retail purchase of such products. (All parts) ANY REPAIR OR REPLACEMENT WILL BE WARRANTED ONLY FOR THE BALANCE OF THE ORIGINAL WARRANTY PERIOD. NOTE: USE ONLY A2Z Ozone AUTHORIZED REPLACEMENT PARTS. USE OF ANY OTHER PART(S) WILL AUTOMATICALLY VOID THIS WARRANTY. THIS LIMITED WARRANTY DOES NOT INCLUDE ANY OF THE FOLLOWING:

- (a) Any labor charges for troubleshooting, removal, or installation of such parts;
- (b) any repair or replacement of such parts necessitated by faulty installation, improper maintenance, improper operation, misuse, abuse, negligence, accident, fire, repair material, and/or unauthorized accessories;
- (c) Any such products installed without regard to required local codes and accepted trade practices;
- (d) ANY IMPLIED WARRANTY OF MERCHANTABILITY OR IMPLIED WARRANTY OF FITNESS FOR PARTICULAR PURPOSE, AND SUCH WARRANTIES ARE HEREBY DISCLAIMED; AND
- (e) A2Z Ozone SHALL NOT BE LIABLE UNDER ANY CIRCUMSTANCES FOR LOSS OF USE OF SUCH PRODUCTS, LOST PROFITS, DIRECT

DAMAGES, INDIRECT DAMAGES, CONSEQUENTIAL DAMAGES AND/OR INCIDENTAL DAMAGES.

TO OBTAIN WARRANTY SERVICE

Contact A2Z Ozone, 1844 Cargo Court Louisville, KY 40299, USA

Customer Service Number: +1 502-499-4977.

When filing a claim, you must provide:

- 1) Your name, mailing address and telephone number
- 2) The selling dealer's name
- 3) Proof of date of purchase
- 4) The date of failure
- 5) A description of the failure.

After this information is provided, A2Z Ozone will release a RETURN GOODS AUTHORIZATION (RAN) NUMBER. After receiving the RAN number the part in question must be returned to A2Z Ozone, freight prepaid, with the RAN number clearly marked on the outside of the package. All preauthorized defective parts must be returned to A2Z Ozone within thirty (30) days. Under no circumstances may any product be returned to A2Z Ozone without prior authorization. You must call or write prior to returning product or your returned goods shipment will be refused. Upon receipt of preauthorized returned goods, A2Z Ozone will repair or replace, at its option, the defective product(s) and return them (shipping is prepaid for units under warranty for USA customers only). Buyer's acceptance of the product and use thereof constitutes acceptance of these terms.

A2Z Ozone WARRANTY REGISTRATION CARD

This information can be also send by EMAIL to us. Please provide ALL pertinent information and send within twenty (20) days to: service@a2zozone.com

Otherwise, please fill out completely and return to A2Z Ozone by post within twenty (20) days of purchase.

Customer Info:

Name _____
Address _____
City _____ State _____ Zip _____
Phone (____) _____

Dealer Info:

Dealer Name _____
Dealer _____
Address _____
City _____ State _____ Zip _____
Phone () _____

Purchase/Product Info:

Purchased Date: _____ Date
Installed _____

Product Purchased: SP SERIES OZONE GENERATOR

Comments / Questions:

DO NOT FORGET TO CUT OUT, PLACE IN ENVELOPE AND MAIL TO THE FOLLOWING ADDRESS FOR INSTANT WARRANTY COVERAGE!

A2Z Ozone Systems Inc.

**ATTN: Warranty Dept.
1844 Cargo Court**

Louisville, KY 40299, USA