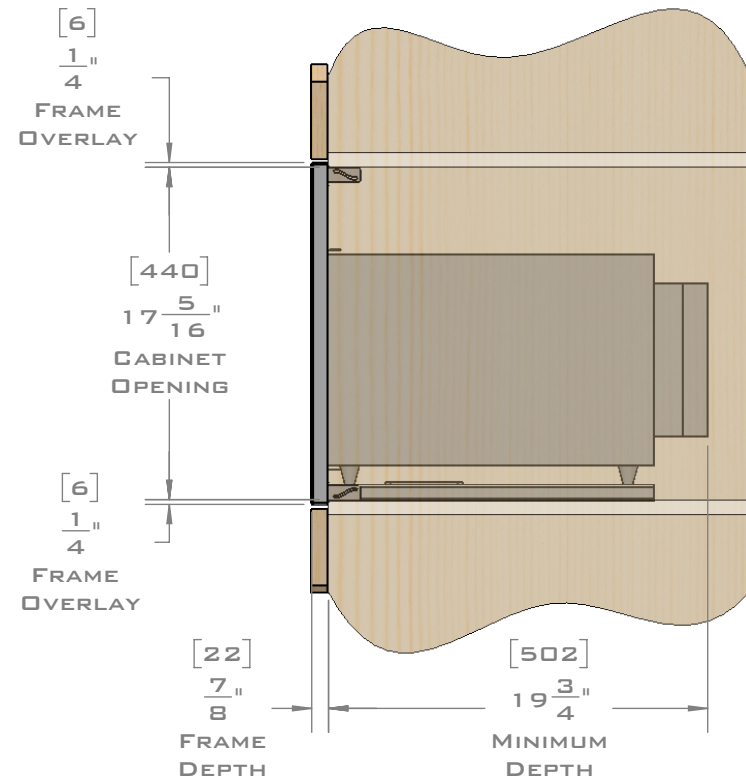
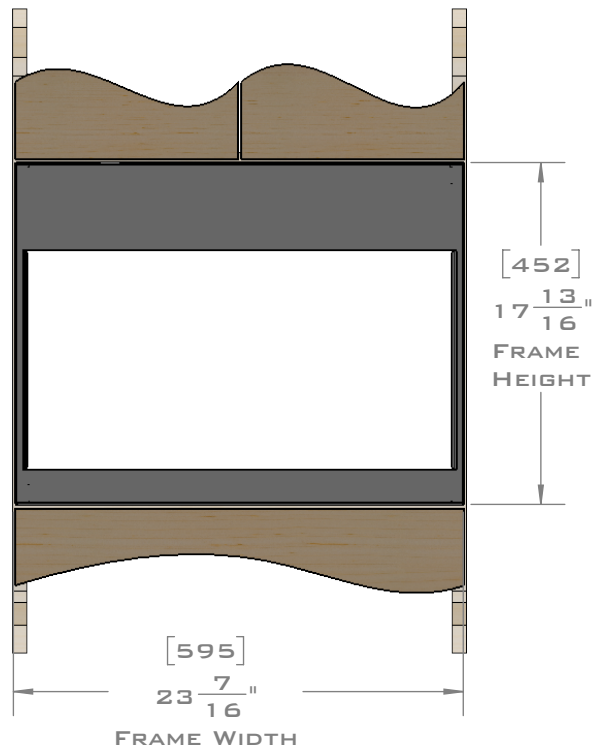


EUROTRIM™

PLANNING GUIDE
EU24.2161
 MICROWAVE TRIM KIT
FLUSH MOUNT

TO COORDINATE
 IN WIDTH AND HEIGHT WITH
 595MM WIDE
 MIELE
 APPLIANCE



EUROTRIM MICROWAVE TRIM KITS ARE SUPPLIED COMPLETE WITH ALL HARDWARE REQUIRED.
 OUR UNIQUE STOPPADS ALLOW FOR A PERFECT INSTALLATION EVERY TIME.

FOR VENTILATION A 6 SQUARE INCH (39 SQ.CM.) CUT OUT MUST BE PLACED IN THE REAR OF THE CABINET.
 FAILURE TO DO SO MAY CAUSE DAMAGE TO THE MICROWAVE OVEN AND OR CABINET.

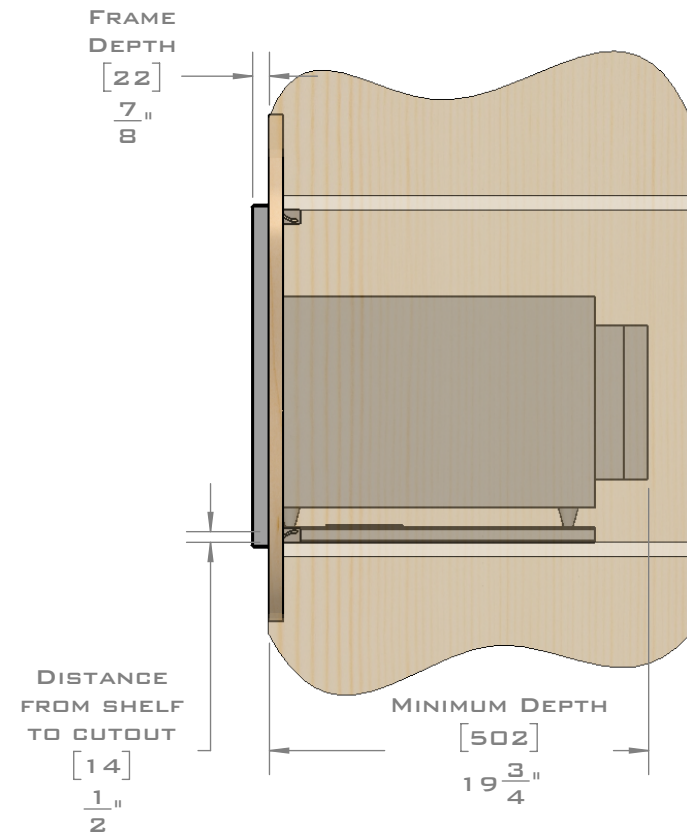
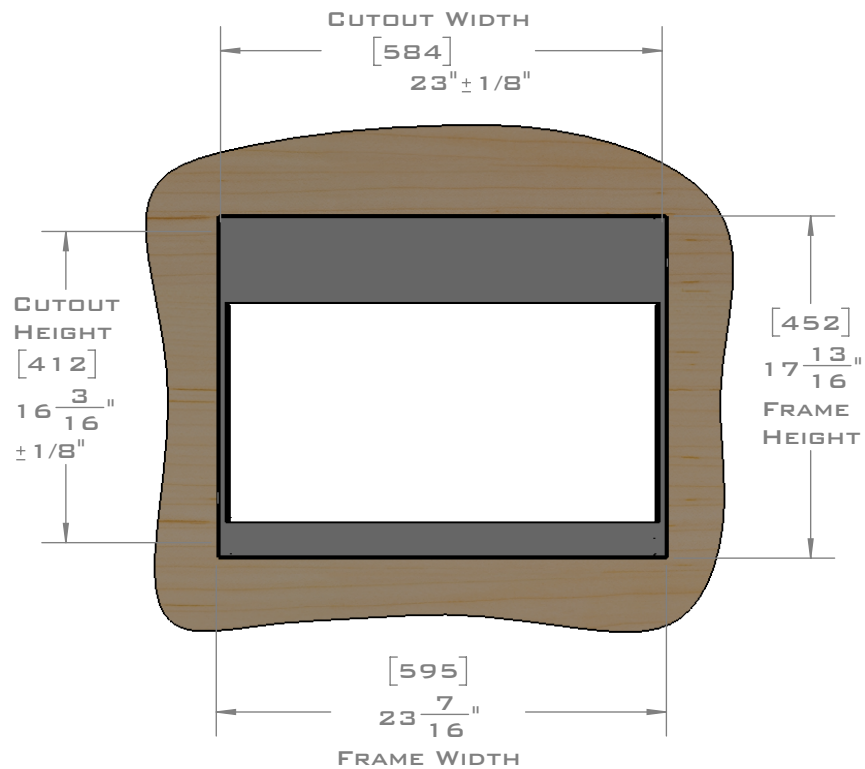
DIMENSIONS
 IN [] ARE
 MILLIMETER

EUROTRIM™

PLANNING GUIDE
EU24.2161
MICROWAVE TRIM KIT

SURFACE MOUNT

TO COORDINATE
IN WIDTH AND HEIGHT WITH
595MM WIDE
MIELE
APPLIANCE



EUROTRIM MICROWAVE TRIM KITS ARE SUPPLIED COMPLETE WITH ALL HARDWARE REQUIRED.
OUR UNIQUE STOPADS ALLOW FOR A PERFECT INSTALLATION EVERY TIME.

FOR VENTILATION A 6 SQUARE INCH (39 SQ.CM.) CUT OUT MUST BE PLACED IN THE REAR OF THE CABINET.
FAILURE TO DO SO MAY CAUSE DAMAGE TO THE MICROWAVE OVEN AND OR CABINET.

DIMENSIONS
IN [] ARE
MILLIMETER