

THANK YOU!

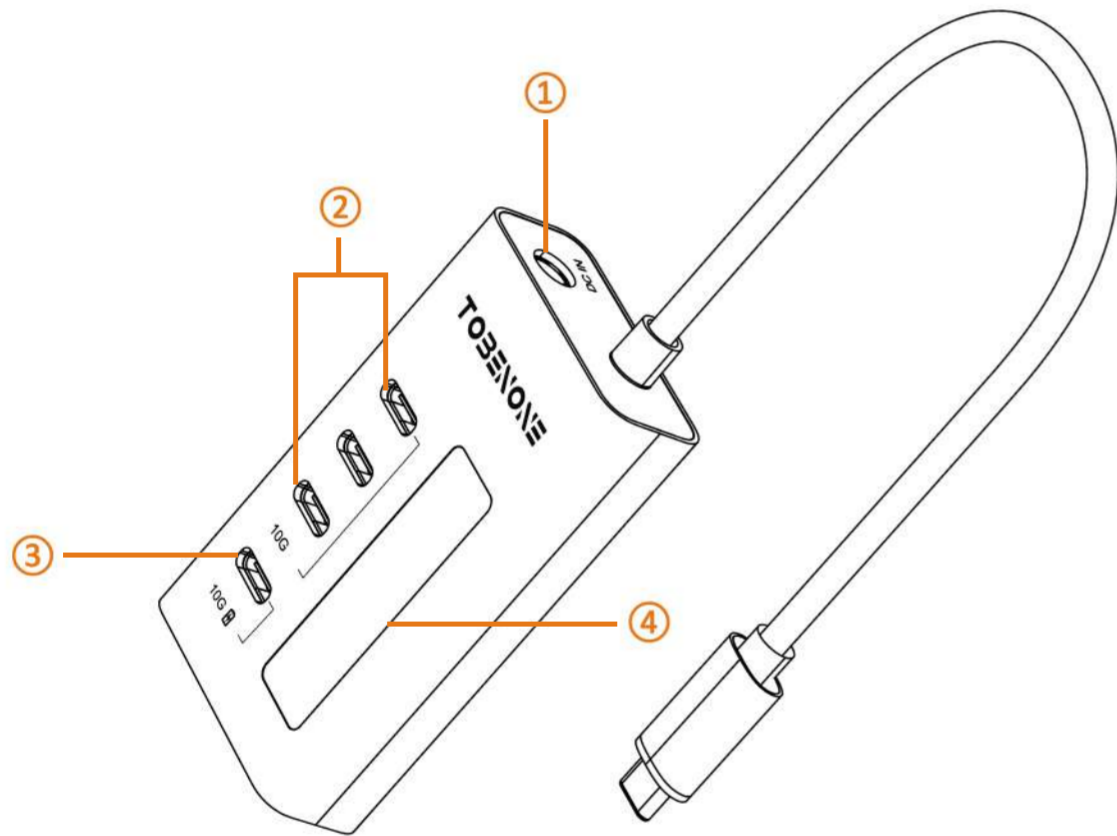
Free Warranty Extended

Register your product for a **FREE** upgrade to a 24-Month Warranty:

<https://tobenone.com/warranty>

Thank you for purchasing TOBENONE USB 3.2 GEN2 Dock with 24W DC Wall Adapter UDS036! Our dock provides the ability to connect up to 4 USB C interfaces to your USB C host devices via one USB C cable. The total length of the cable is 2ft. Not only this small dock can transfer data, but also it can charge other devices up to 20W.

Ports and Connectors



- ① DC Port: Connect the 24W DC wall adapter
- ② USB C 3.2 Gen2*3: Speed up to 10Gbps, only support data
- ③ USB C 3.2 Gen2: Speed up to 10Gbps, also support 20W Charging
- ④ Smart Detection Screen: Working indicator light

Any questions, we are here to help!

Email: support@tobenone.com

The only question we can't fix is the one we don't know



4 IN 1 Powered USB C Hub Quick Start Guide

Step 1: Connect the DC power adapter to the hub's DC port

Step 2: Connect the USB C hub to your host devices such as MacBook, iPad, iMac, Tablet, Phone, Dell, Surface, HP, Samsung, All-in-one PC, etc

Step 3: Connect the external USB C devices to the 4*USB C Gen2 ports for data transfer&charging

Specifications

Input:

- ① USB C male 3.2 10Gbps*1
- ② 24W DC wall adapter

Output:

- ① USB C 3.2 Gen 2*3: 10Gbps data transfer
- ② USB C 3.2 Gen 2*1: 10Gbps data transfer & 20W charging

- Note:**
1. Standby Power: less than 1W on macOS, less than 0.7W on Windows
 2. Full load: lower than 50°C is normal
 3. DC power adapter: 24W

Package Content

- ① 4 in 1 USB C Dock
- ② 24W DC Wall Adapter
- ③ Instruction Manual
- ④ 24-Month Warranty

Troubleshooting

1. This 4-IN-1 USB-C dock has a maximum bandwidth of 10Gbps. When we connect only one USB-C port, the maximum speed(10Gbps) can be achieved, but when multiple USB-C ports are connected, the bandwidth will be automatically allocated, so less than 10Gbps. Better connect 1 or 2 external hard drives at once.
2. All four USB C ports don't support display video.
3. The USB C ports marked with "1-3" are only for data transmission.
4. The fourth USB C port marked with "20W PD" is also an output charging port, it can charge other devices with 20W power, and the value on the display screen is the power that can be supplied to charge externally. (The value will fluctuate according to the connection between the dock and other accessories).
5. Please make sure both the DC adapter and laptop are connected to the dock. Otherwise, some functions may work abnormally.

Any questions, we are here to help!

Email: support@tobenone.com

The only question we can't fix is the one we don't know

