

Free Warranty Extended

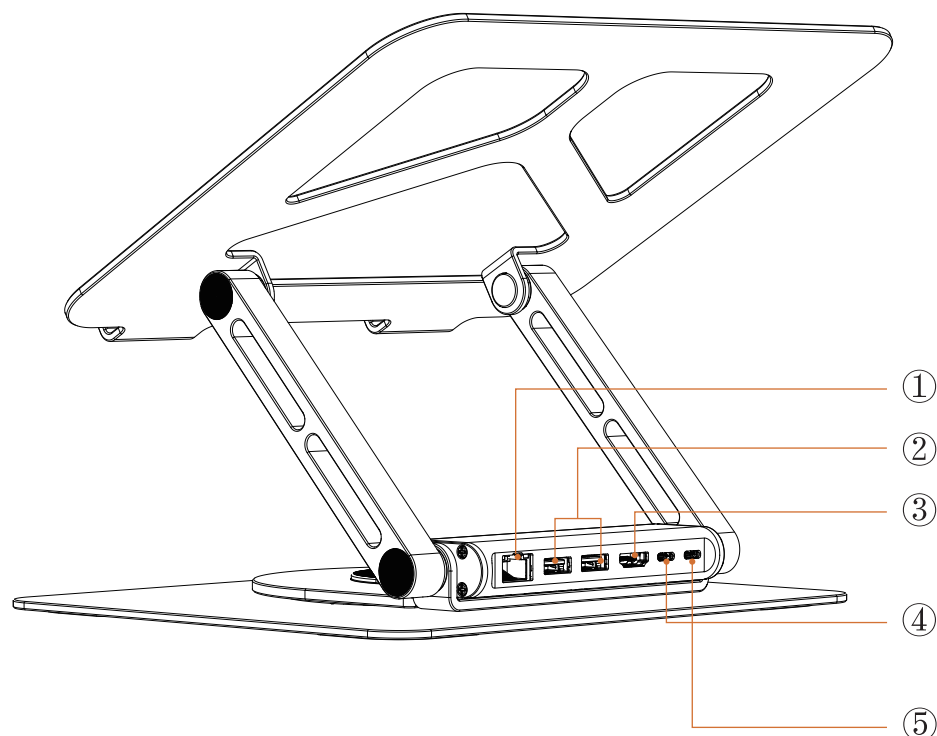
Register FREE 24-Month Warranty
www.tobenone.com/warranty



THANK YOU!

Thank you for your purchase of the Tobenone USB C laptop dock stand UDS031. This docking station stand can help to expand your laptop with full-feature USB C ports to 4K HDMI, 2 USB 3.0, PD 3.0, Type C Host, and RJ45 Gigabit Ethernet, so you can easily connect multi-devices via one USB-C cable. This dock stand would save your desktop space and improve your work efficiency.

Ports and connectors



- ① RJ45 Ethernet Port: Supports 10/100/1000 Mbps
- ② 2xUSB 3.0 Port: Speed up to 5Gbps
- ③ HDMI Port: Up to 4K@60Hz
- ④ Type-C Host: Connect to your full-feature USB C laptop
- ⑤ PD 3.0 Port: Connect the power supply, support max input 100W, and output 87W

Note: This laptop dock stand only can work for Full-feature USB C laptops. Please confirm that your laptop's USB C port supports display, data transfer, and power delivery

Any questions we are here to help!

Email:support@tobenone.com

WhatsApp:(307)363-0735

Because the only question we can't fix is the one we don't know

USB C Laptop Dock Stand

Quick Start Guide

Please Follow Below Step to Using Your Dock

- Step 1: Expand the laptop dock stand, and adjust the product to the appropriate height.
- Step 2: Connect the power adapter into the PD 3.0 port (⑤)
- Step 3: Use the USB C cable coming with the dock to connect the dock and laptop via Type-C Host (④)
- Step 4: Use a standard HDMI cable to connect the monitor via HDMI port (③)
- Step 5: Attach USB devices to the USB 3.0 ports of the dock (②)
- Step 6: Connect the ethernet cable to the Ethernet port (①)

Support Extend & Mirror Mode



Troubleshooting

Q: Is this docking station compatible with my laptop?

A: Please ensure your laptop with a Full-feature USB C port (support display, data transfer, and power delivery).

If you are not sure, please contact us so we can check for you.

Q: Why the HDMI port cannot work?

- A:** 1. Please ensure your laptop's USB C port supports video output.
- 2. Please ensure the standard cable(HDMI to HDMI/DP/VGA cable)
- 3. Please attach the laptop's power supply to the PD 3.0 port of the dock stand

Any questions we are here to help!

Email:support@tobenone.com

WhatsApp:(307)363-0735

Because the only question we can't fix is the one we don't know

