



# Thunderbolt™ 3 Dual 4K Docking Station



Quick Start Guide  
Model:UDS-017T  
support@tobenone.com  
www.tobenone.com

## Introduction

This Thunderbolt™ 3 dock offers throughput at speeds up to 40Gbit/s. The dock supports dual monitors on your Windows or Mac OS laptop, so you can easily connect two 4K Ultra HD displays (one DisplayPort and one Thunderbolt 3 USB-C™ port), or a single 5K display via Thunderbolt 3 port, while also providing up to 60Watt of power to charge the host. This dock features a range of input and output ports, such as DisplayPort, Gigabit Ethernet, USB 10 Gbps, USB 3.0, USB2.0, USB-C™, headphone, microphone, SD3.0/microSD3.0 Card Reader, and Thunderbolt 3. Now you can use a single cable to power and charge your laptop, and connect up to 14 peripherals at the same time.

## Technical support

Tobenone's 2-years Warranty and lifetime technical support is an integral part of our commitment to provide industry-leading solutions. If you ever need help with your product, visit [www.tobenone.com/support](http://www.tobenone.com/support) and access our comprehensive selection of online tools.

For the any questions, please contact us via  
Email: [support@tobenone.com](mailto:support@tobenone.com)

## Free Warranty Extended

Register your product for a FREE upgrade to a 24-Month Warranty: [www.tobenone.com/warranty](http://www.tobenone.com/warranty)

## Package contents

- 1 x Thunderbolt 3 docking station
- 1 x Thunderbolt 3 cable
- 1 x Universal power adapter
- 1 x Power cord
- 1 x User manual

## Requirements

- Host laptop with an available Thunderbolt 3 or Thunderbolt 4 port (your laptop's USB C port must support USB Power Delivery in order to power and charge your laptop).
- Any of the following operating systems: Mac OS X 10.X and future releases. Windows 8/10 32 and 64 bit and future releases.

## Video Matrix

Item	DP	Thunderbolt™ 3	Remark
1	3840x2160/60Hz		
2		5120 x 2880 @ 60Hz	Single video output
3	3840x2160/60Hz	3840x2160/60Hz	Dual video output

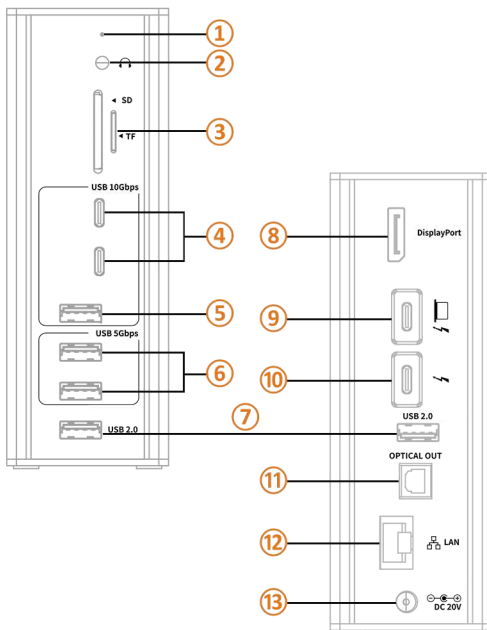
## Ethernet Driver

If you meet the Ethernet issue, Please try to update the latest Realtek Ethernet driver by visiting <https://www.realtek.com/en/component/zoo/category/network-interface-controllers-10-100-1000m-gigabit-ethernet-usb-3-0-software>.

## Driver installation

Install drivers in Windows 10 or Windows 8 / 8.1, or macOS 10.12 (Sierra)  
When the docking station is powered and you connect it to your laptop, the required drivers will install automatically. You may see a pop-up message requesting permission to allow the docking station to connect to your computer. When a pop-up message appears, do the following:  
1. Click on the pop-up message.  
2. Click Always Connect.  
3. Click OK.  
4. Complete installation

## Ports and connectors



## Specifications

- ① Indicator Light
- ② 3.5mm Audio/Microphone
- ③ SD3.0/microSD3.0 Card Reader supports SDXC cards up to 2 TB, SDR25 data transfer rate 104MB/Sec
- ④ USB C 3.1 10Gbps
- ⑤ USB3.1 Type A supports 10Gbps
- ⑥ USB3.0 Type A supports 5Gbps
- ⑦ USB2.0 Type A supports 480Mbps for wireless receiver
- ⑧ DP (3840x2160@60Hz). DP1.4
- ⑨ Thunderbolt 3 Port connect to laptop
- ⑩ Thunderbolt 3 Port: Support 40Gbps and up to 5K display output (only the laptop with Thunderbolt 3 Port can be support display)
- ⑪ S/PDIF (audio output)
- ⑫ RJ45 LAN port supports 10/100/1000M
- ⑬ DC-IN for the additional power adapter 20V3.25A

## Connect the Docking Station

1. Connect one end of the Thunderbolt 3 cable to the dock (PORT ⑨).
2. Connect the other end of the Thunderbolt 3 cable to the laptop.
3. Connect the power cord to the ac power adapter.
4. Connect the ac power adapter to the power connector on the dock (PORT ⑬).
5. Connect the power cord to an electrical outlet.
6. Connect your external display(s) to the docking station (example, Display Port or Thunderbolt™ 3 displays).
7. Connect your peripherals to the docking station (example, USB devices, RJ 45 network).

## COMPATIBILITY : ( Not a full list )

Compatible with Surface : Microsoft Book 2/ Go/ Laptop 3; Pro 7/ Pro 5/Pro X;

Compatible with Dell : Dell Latitude 7370/Dell Latitude 9510/Dell Precision 7540/XPS 9380/ XPS 15 2018/ XPS 9350/ XPS 13 9300/ New XPS 15/Latitude 7490/ Latitude 7480/ Latitude 7280/ Latitude 7390/Latitude 7389/ Latitude 7300/ Latitude 5500/ Latitude 5490/ Latitude 3500/ Latitude 5310/ Latitude 5290/ Latitude 7400/ Latitude 5480/ Latitude 5400/ Latitude 5410/ Latitude 3400; Precision 5530/ Precision 5540/ Precision 5550/ Precision 7520 / Precision 7730 / Precision 7750; Laptop 5590; Inspiron 7573/Inspiron 7300; G7 7790;

Compatible with Lenovo : Lenovo Thinkpad T590/Lenovo ThinkPad L480/Lenovo Yoga 720/Yoga 370/ Yoga 720-13IKB/ Yoga 730/ Yoga 900-13ISK/ Yoga 910/ Yoga 920/ Yoga 930/ Yoga 940-14IIL / 3rd generation Thinkpad Yoga / Yoga15 Ultrabook Pro / Yoga C930/ Yoga c940/ Yoga C740-15IML/ Yoga 7i; Thinkpad E590/ Thinkpad P72/ Thinkpad T470/ Thinkpad T470s/ Thinkpad T490/ Thinkpad T490s/ Thinkpad X1 Carbon (2019 model) / Thinkpad Carbon X1 Gen6/ ThinkPad X1 Extreme;

Compatible with HP : HP EliteBook 1040 G4/HP Chromebook - 14-db0030nr/HP Chromebook 14A G5/ Spectre x360 13t/ Spectre x360 15t/ Spectre x360 15t/ Spectre Folio (13t-ak000cto)/ Spectre 360 laptop/ Spectre x369/Elitebook 840 G5 series/ Elitebook X2/ Elitebook x360 1030 G3/ Elitebook 745 g6/ Elitebook 830 g6/ 2018 Elite 800 G4/ Elitebook 850 g5; Envy Geforce mx250/ Envy x360 Laptop (15z-ds100)/ Envy x360 15-ds1063cl/ ENVY Laptop 13-aq1/ ENVY 13 (13-ad000, 13-ad100) Series; Zbook 15u G3/ Zbook 17 G4/ Zbook 16 G6/ Zbook studio z5; Omen laptops; Probook 440 G7/ ProBook 450 G7.