



USB/RS485 Converter

Model: USB485

General

Compatible Operating System

- Windows
- Mac OSX
- Linux

Chipset/Processor

- FT230X chip from FTDI

Indication LED Lights

- TX, RX

Termination Switch

- Yes

Power

- Mini-USB powered

Current

- Static: < 80mA
- Dynamic average: < 150mA

Dimensions

- 66 x 38.75 x 15 (mm)
- 2.60 x 1.52 x 0.59 (in.)

Warranty

- 2-year Limited Warranty

Safety and Certifications

ESD Protection

- 600W surge
- 15kV static electricity protection

Certifications

- CE, FCC

Environmental

Operating Temp

- -30°C to 60°C

Operating Humidity

- 80% up to 31°C



Input/Output

Signals

- RS485, 2-wire half duplex: D+, D-, GND
- Fail Safe: Yes
- Bias Resistors

Baud Rate

- 50 - 115,200bps

Parity

- None, Odd, Even, Mark, Space

Data Bits

- 7,8

Stop Bits

- 1,2

TX/RX Buffer Size

- 512 Byte Transmit Buffer
- 512 Byte Receive Buffer

3-Wire Interface (Included)

- Female 3-pin plug with screw terminals

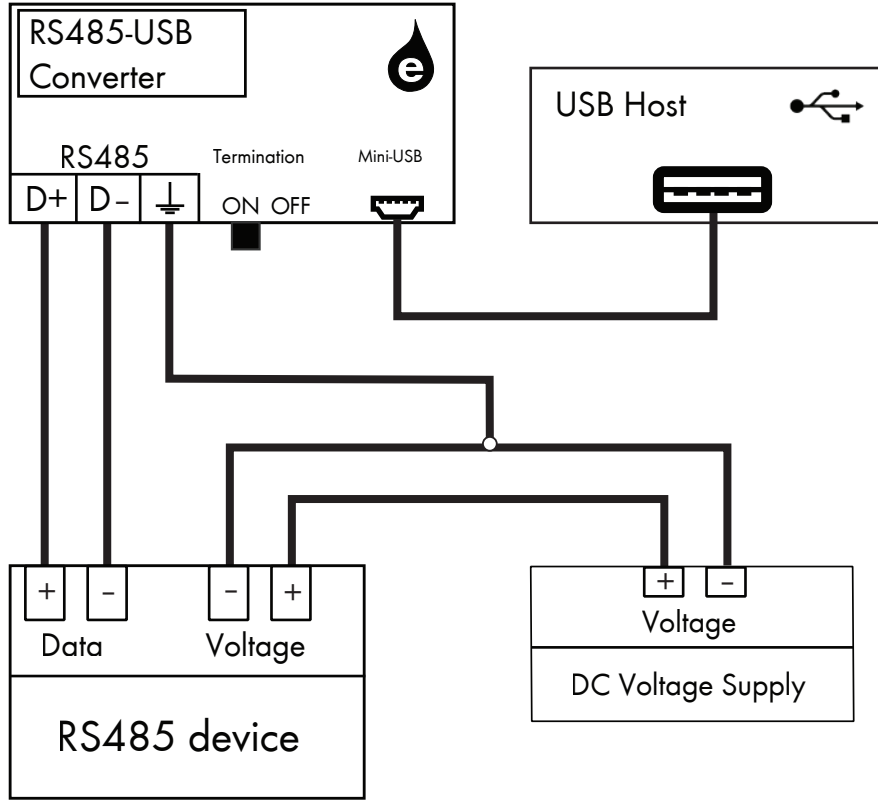
USB Interface

- Standard Type B Mini-USB
- USB 1.1/2.0 to EIA RS-485

For more information visit
egauge.net/support/m/usb485



Connection Diagram



Wiring Diagram

