



eGauge 2V Analog Input Sensor Specifications

Model: *ELV2*

Compatible With

- 2-wire dry contact / relay
- 0 to 2 volt analog output sensors

Features

- CTid auto-configure
- CTid locator LED
- Includes 7' RJ-11 cable for connection to Sensor Hub

Connections

- RJ-11 (on back) for communication and power from Sensor Hub
- 3-pin analog input (Ground, Signal, +5Vdc)

Enclosure

- Extruded aluminum
- 26 x 26 x 40 (mm)
- 1.02 x 1.02 x 1.57 (in.)

Warranty

- 2-year Limited Warranty

Operating Specs

- -30 °C to 70 °C
- Humidity range: Up to 80%

Tech Specs

- 4.7 k Ω pull-up resistor between Signal and 2V
- Signal pin: open- 2V; closed- 0V

Requires

- eGauge Core/Pro (EG4xxx) meter
- eGauge Sensor Hub (ESH044)

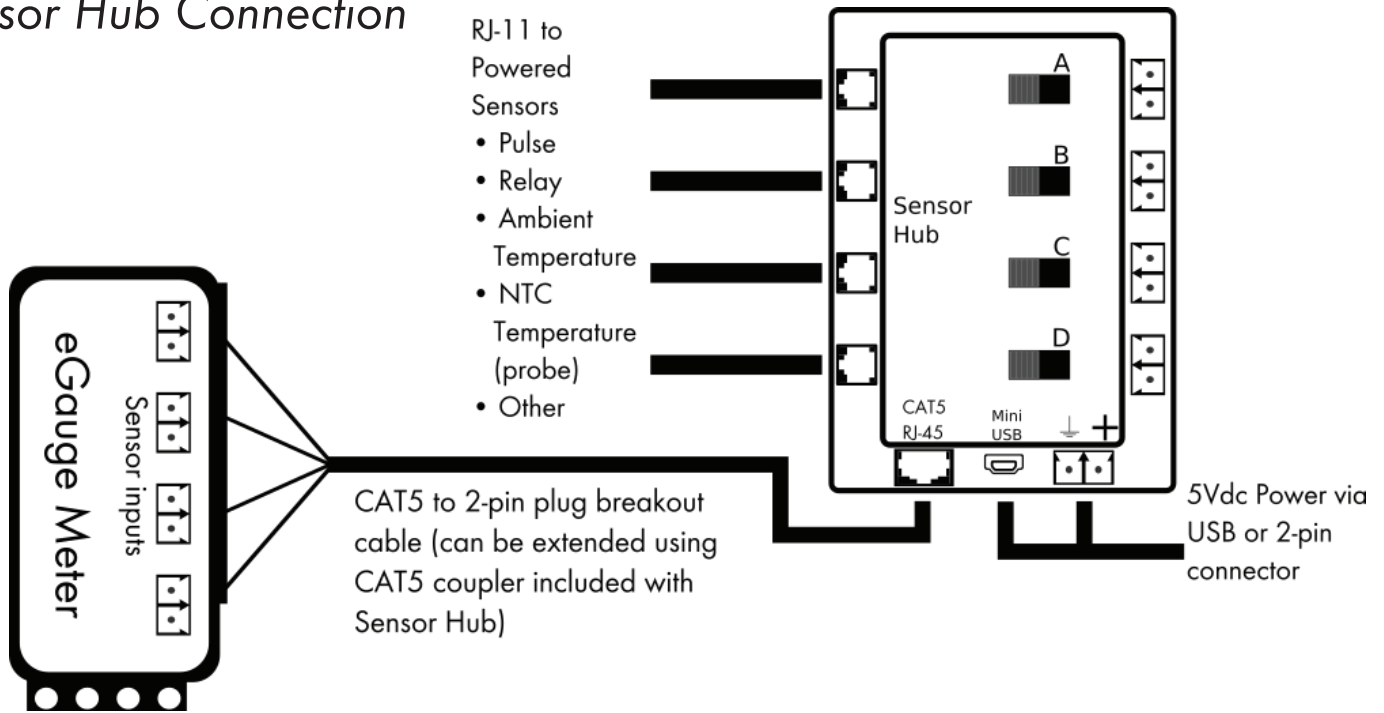


The eGauge 2V Analog Input Sensor allows EG4xxx meters to read 0 – 2V analog values or dry contact states from standard 2-wire dry contacts such as relays. The Analog Sensor requires the eGauge Sensor Hub (ESH044). Wiring diagrams for the Sensor Hub and compatible sensors can be found on the following page.

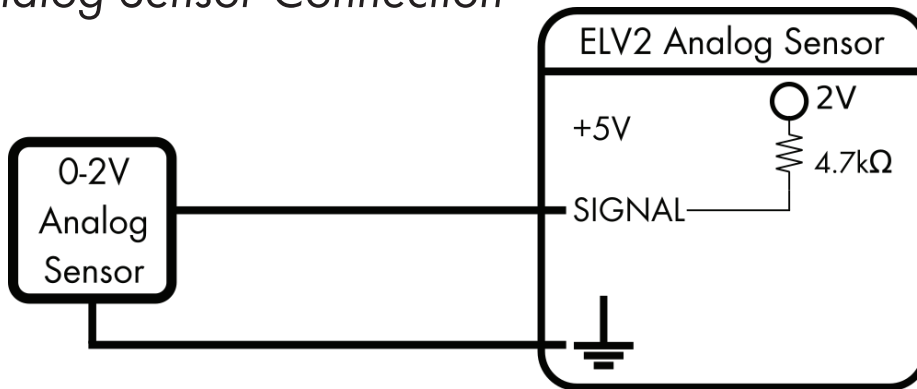


For more information visit
egauge.net/support/m/elv2

Sensor Hub Connection



Generic 2V Analog Sensor Connection



2-wire Dry Contact / Relay Connection

