

Bassinet

Important information!

Read carefully and retain for future reference

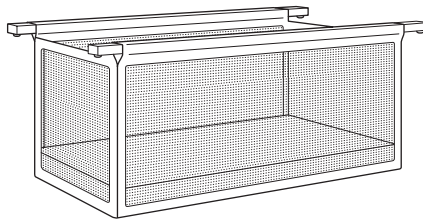
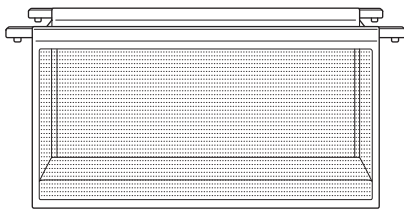
COMPONENTS

- 1 x mesh bassinet
- 1 x bassinet base
- 1 x mattress
- 2 x wooden bassinet rails
- 2 x white rubber lugs with 2 x screws and washers

TOOLS REQUIRED

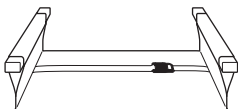
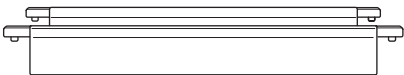
- Phillips Head Screwdriver

- Step 1** Feed the bassinet rails through the sleeves of the bassinet ensuring that the white lug is facing downwards towards the base of the bassinet.
- Step 2** Screw the remaining two rubber lugs into place at each end of the rails using the pilot holes as a guide.
- Step 3** Fit the bassinet base into the bottom of the bassinet with the white surface facing upwards. Place the bassinet mattress in position after removing and disposing of the plastic wrapping.



Your FohFum Bassinet is now fully assembled and ready for use!

Change Table



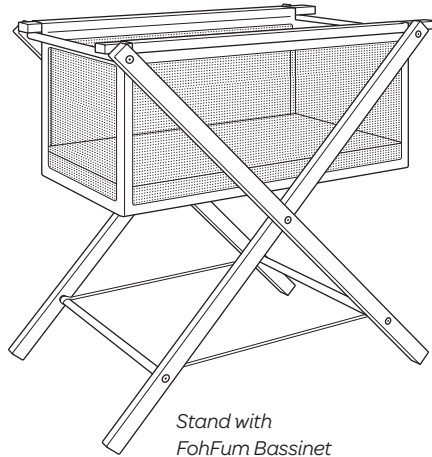
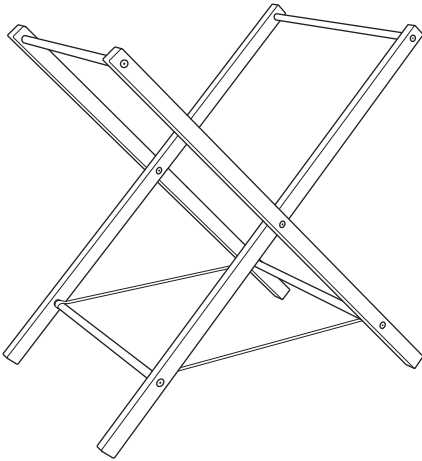
COMPONENTS

- 1 x white vinyl padded change table
- 1 x safety strap
- 2 x wooden change table rails

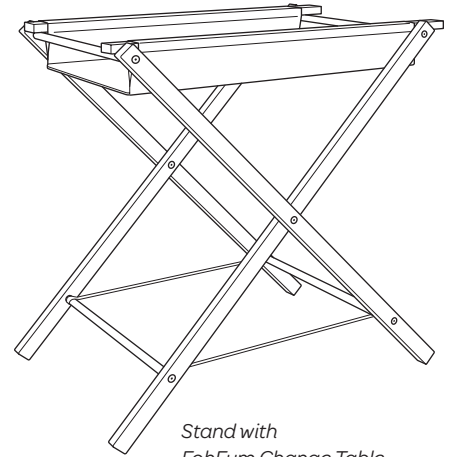
No assembly required, your FohFum Change Table is shipped fully assembled and ready to go!

Stand

No assembly required, your FohFum Stand is shipped fully assembled and ready to go!



Stand with
FohFum Bassinet



Stand with
FohFum Change Table

Care & maintenance

Before using any product in our newborn range, inspect it for damaged hardware, loose joints, missing parts or sharp edges.

Every three months you should check for damage and loose or broken parts. Regularly check and tighten the wing nuts on the bolts that hold the stand legs together.

Do not use if any parts are missing or broken. Please get in touch with us for replacement parts and instructions if needed.

Do not substitute parts.

CLEANING & MAINTENANCE

Use a damp cloth and mild detergent to clean. If refinishing, use a non-toxic finish specified for children's products.



Safety warnings

Your baby should be moved out of the bassinet and into a cot before s/he is able to sit up.

Check that the white rubber lugs on your bassinet or change table are positioned on the OUTSIDE of the cot rails/stand prior to placing your baby in the bassinet or change table.

Do not transfer the bassinet or change table from the cot to the stand with your baby inside.

Designed & manufactured in New Zealand.

©2013 FohFum Limited

PO Box 7033, Wellington 6242, New Zealand

Phone: +64 4 389 0543

Email: hello@fohfum.co.nz

www.fohfum.co.nz