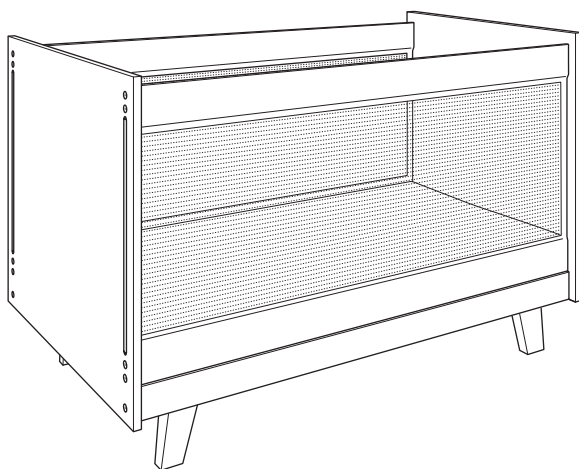


fohfum®

Mo

---

# Assembly Guide



# FohFumMo

---

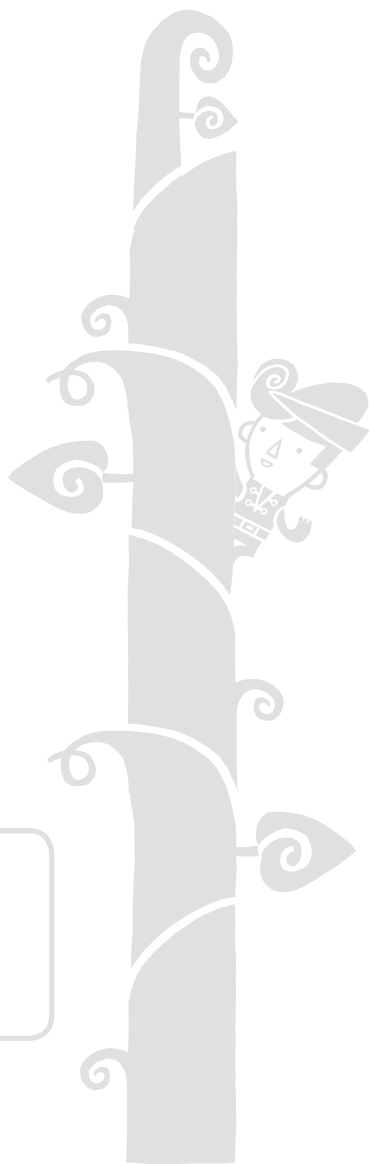
Congratulations! As the new owner of a FohFum cot you're set to enjoy the peace of mind that comes with knowing you're giving your baby the best sleeping environment possible. Follow the simple steps in this guide to assemble your cot, or convert your cot to a toddler bed.

## CONTENTS

Components	3
<i>Assembly Instructions</i>	
<b>A</b> Attach legs and bed ends to base	4
<b>B</b> Attach mesh sides	6
<b>C</b> Secure the mesh sides	8
Conversion to a toddler bed	9
Care & maintenance	10
Safety warnings	11

### IMPORTANT

Read all instructions thoroughly and retain for future reference. These assembly instructions must be followed in detail to ensure the safety features of the cot and toddler's bed are not compromised.

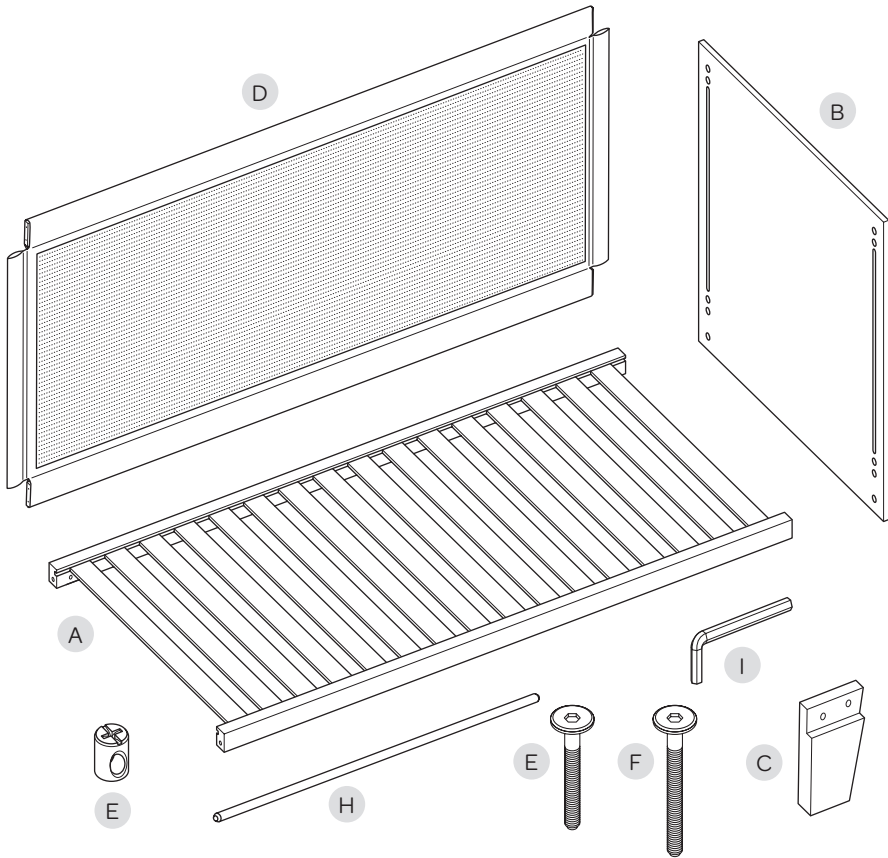


# Components

## TOOLS REQUIRED

- Phillips Head Screwdriver
- Allen Key (Supplied)

PERSONS REQUIRED x 2



- A. 1 x slatted bed base
- B. 2 x bed ends
- C. 4 x wooden legs
- D. 2 x mesh sides with rails already inserted - top rails 65mm high, bottom rails 90mm high.

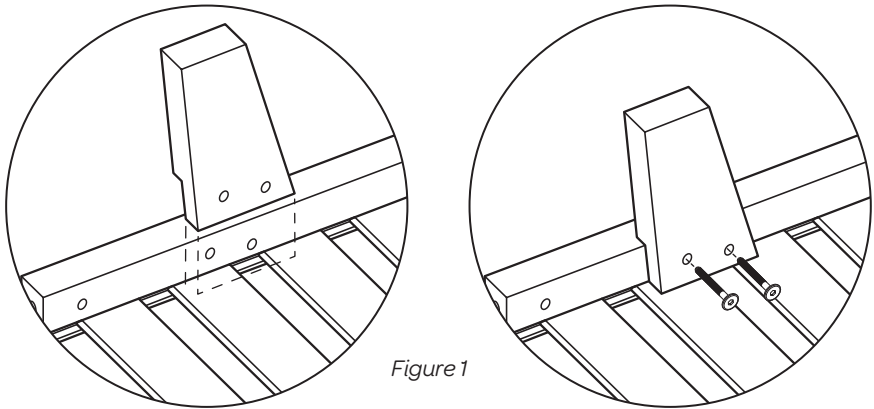
- E. 8 x 50mm long jcb bolts
- F. 20 x 60mm long jcb bolts
- G. 20 x (cross dowel) nuts
- H. 4 x wooden dowels
- I. 1 x allen key

# A

## Attach legs and bed ends to base

### ATTACH LEGS TO BASE

- Step 1** Clear yourself lots of clear floor space.
- Step 2** Attach the legs to the carrier rail on the underside of the bed base using the short (50mm) bolts and threading into the pre-inserted nuts. Ensure the legs slope outwards and the carrier rail sits in the recess in the top of the leg (Fig.1).

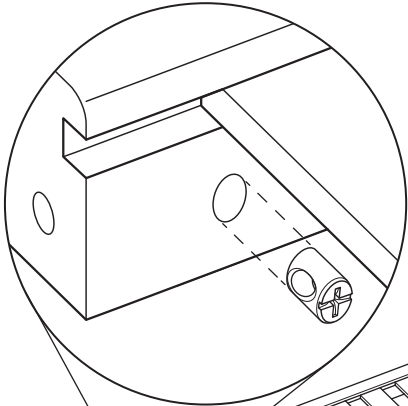


- Step 3** Flip base over and place cross dowel nuts in the holes in the underside of the carrier rail under the slats (Fig.2), and align the nut so that the bolt holes line up (use a Philips screwdriver if necessary). Now you're ready to attach bed ends.

### ATTACH BED ENDS TO BASE

- Step 1** Insert bolts in the lowest bolt holes of the bed end (Fig.3) and align with the holes in the ends of the carrier rails on the bed base. Ensure the face which has the coving in the mesh slot is facing outwards.

**Step 2** With the help of another person, attach the bed end to the bed base by threading the bolts into the nuts in the carrier rail (Fig.3). Leave bolts slightly loose until assembly is complete. To help the bolts locate the nut, support the weight of the bed end while you thread the bolt into the hole.



**Tip:** The top of the nut has a groove that cuts right across - keep this horizontal and you will know you have the holes lined up correctly.

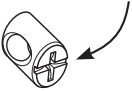


Figure 2

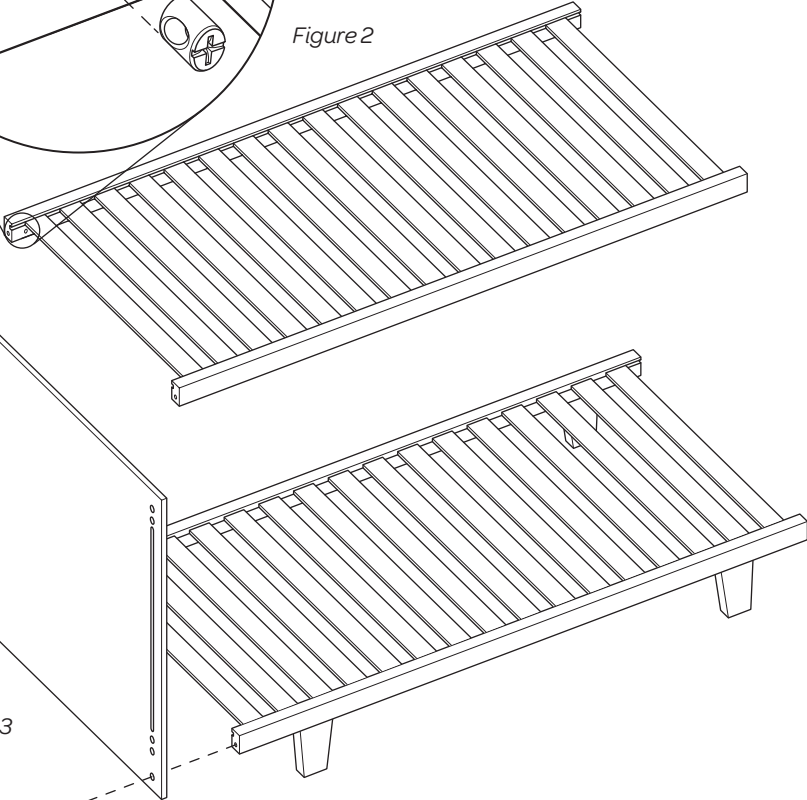


Figure 3

# B

## Attach mesh sides

---

- Step 1** Select a mesh side.
- Step 2** Slide back sleeve to reveal the bottom rail (the 90mm high rail) and insert two nuts in each end. (Fig.1)
- Step 3** Place the bottom rail (inside the mesh sleeve) on the bed base carrier rail and align the bolt holes in the end of the rail with the corresponding bolt holes in the bed end (Fig.2). The holes for the nuts should be on the inside of the cot.
- Step 4** Thread the bolts through the holes in the bed end and wind through into the rail until they locate and thread into the nuts. If a bolt does not locate the nut, slide the mesh back to reveal the head of the nut, and use a Philips screwdriver to align the nut with the direction of the bolt.
- Note: Ensure the bolt locates the nut correctly before tightening the bolt. The bolt should wind into the nut using your finger and thumb or light pressure using the allen key – DO NOT FORCE. If the bolt does not locate easily, wind it out slightly and realign the nut using a Philips screwdriver, and try again.
- Step 5** Before bolting the top rail, push the sleeves for the wooden dowel through the mesh slot in the bed end ready for dowel insertion (Fig.3).
- Step 6** Align the top rail bolt holes with the corresponding bolt holes above the mesh slot in bed end. Repeat the procedure for bolting the rail in place.
- Step 7** Once all rails are attached, tighten all bolts by hand using the allen key. Ensure the bolts attaching the bed end to the bed base (carrier rail) are also tightened. Bolts should be firm and not loose. DO NOT OVERTIGHTEN.

Figure 1

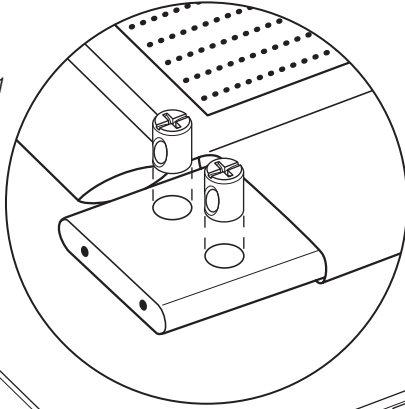


Figure 2

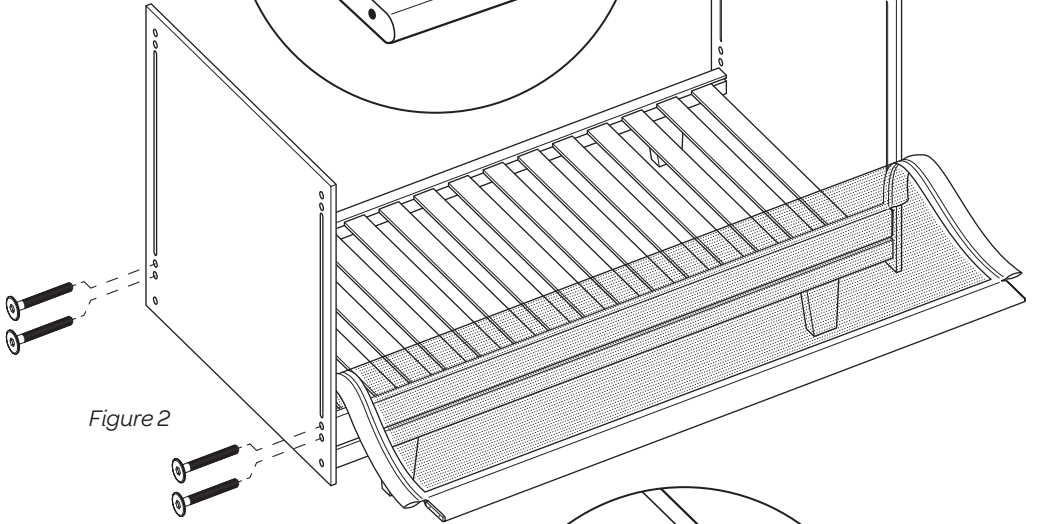
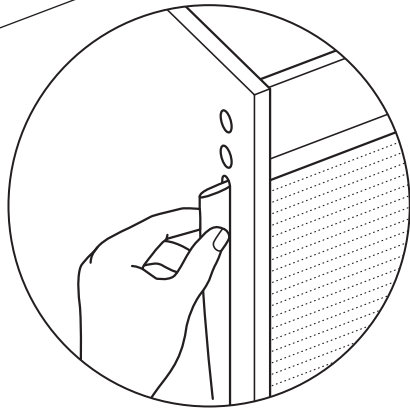


Figure 3



# C

## Secure the mesh sides

**Step 1** The sleeves for the wooden dowels at each end of the mesh sides should have been pulled through the mesh slots in the bed end in the previous step. Insert the dowel into the sleeve to lock it in place (Fig.1). Use a tool such as one of the dowels or a wooden spoon handle to push the dowel home.

If necessary, use a hammer or mallet and tap lightly. The dowel should nest snugly in the coving (See Fig.2 for an illustration of the coving) and the mesh should be appropriately tensioned across the cot side.

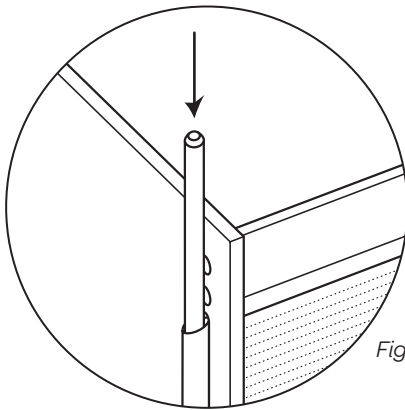


Figure 1

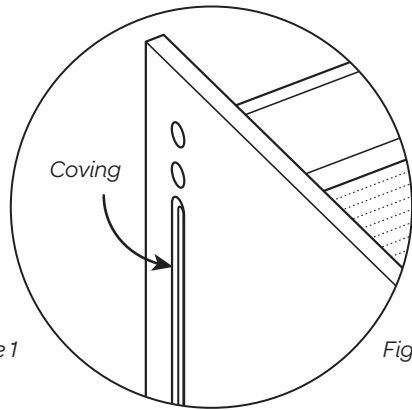


Figure 2

**Step 2** Place the mattress on the bed base inside the cot.

**Step 3** Check all bolts for tension and tighten if necessary. Do not over tighten.

*Your cot is now fully assembled and ready for use!*



# Conversion to a toddler bed

---

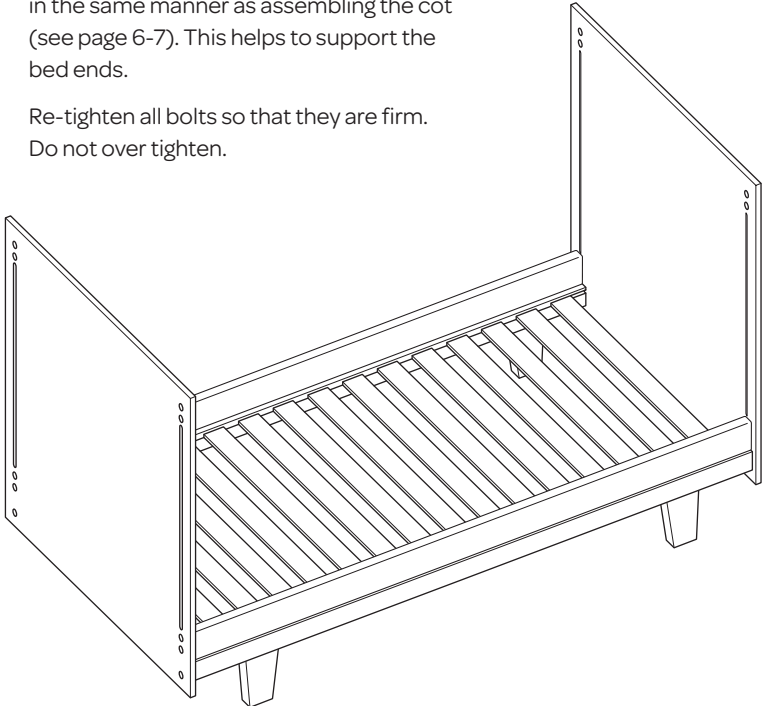
**Step 1** Remove the dowels in the vertical mesh sleeves at the bed ends, and undo the bolts holding the 4 rails on (it helps to loosen the bolts on the bed base as well, in order to remove the rails).

**Tip:** To remove the dowels use a tool such as another dowel or wooden spoon handle to push the dowel out of the sleeve. Roll the dowel out of the coving first to free it. Tap with a hammer or mallet if necessary.

**Step 2** Remove the mesh by sliding the rails out of the sleeves. Store the top rails, nuts, bolts, dowels and mesh sides in a safe place.

**Step 3** Re-attach the bottom rails to the bed ends in the same manner as assembling the cot (see page 6-7). This helps to support the bed ends.

**Step 4** Re-tighten all bolts so that they are firm. Do not over tighten.



# Care & maintenance

---

## Important information!

Read carefully and retain for future reference.

Before using your FohFum cot, inspect it for damaged hardware, loose joints, missing parts or sharp edges.

Check and maintain your cot regularly. Every three months you should:

- check and tighten all bolts with the Allen key provided
- check for damage and loose or broken parts.

Do not use your cot or toddler's bed if any parts are missing or broken. Please get in touch with us for replacement parts and instructions if needed.

Do not substitute parts.

## CLEANING & MAINTENANCE

To clean your cot use a damp cloth and mild detergent.

If refinishing, use a non-toxic finish specified for children's products.



# Safety warnings

---

The cot should be converted to a toddler's bed when the child is able to climb out or reaches a height of 900mm. The minimum age for a child in the toddler's bed is 15 months.

**Do not** use a water mattress with your cot/toddler's bed.

**Do not** use cot bumpers.

**Do not** leave anything in the cot which could provide a foothold or present a risk of suffocation or strangulation.

Only use the mattress supplied with your cot – mattresses of different dimensions may cause a safety hazard.

This cot has been manufactured for use with a mattress which measures 690mm wide by 1300mm long and no more than 150mm in thickness. The width and length are specified because it is important that the gaps between the mattress and the side and ends of the cot will not exceed 40mm. This is to minimise the risk of a child's limb becoming caught in the gap. The thickness of the mattress has been specified to ensure that the depth of the cot is greater than 500mm to minimise the risk of a child climbing or falling out of the cot.

Ensure that the cot or toddler's bed is placed at a reasonable and safe distance from curtains, blinds, heaters and powerpoints.

Keep medication, string, necklaces, elastic, small toys or small items, such as money, out of reach from any position in the cot.



# fohfum<sup>®</sup>

*Designed & manufactured in New Zealand.*

**©2013 FohFum Limited**

PO Box 7033, Wellington 6242  
New Zealand

Phone: +64 4 389 0543

Email: [hello@fohfum.co.nz](mailto:hello@fohfum.co.nz)

*FohFum cots are designed and tested to comply  
with the following safety standard:*

- The Australian and New Zealand Standard  
AS/NZS 2172:2010

