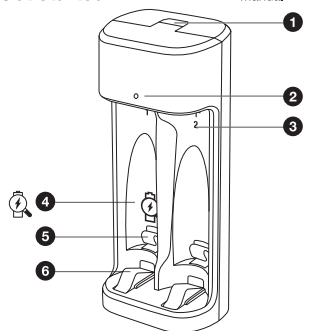


GP092301CO-Charger-E221  
Instruction Manual\_ENG+CHI\_IB\_V1\_  
(50x100mm)04

# GP RECHARGE

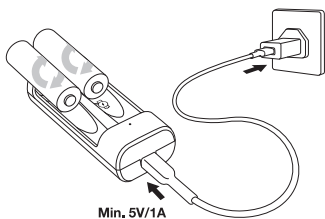
## Charger E221

### Quick Start Guide Get started



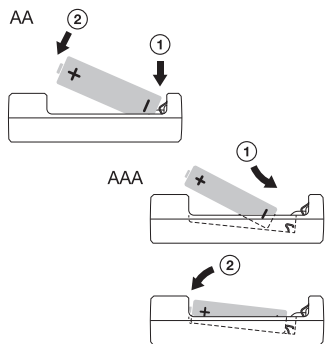
1. Micro-USB charging port
2. LED indicator
3. **+** Terminal AA / AAA
4. Battery level check (For slot 1 only)
5. **-** Terminal AAA
6. **-** Terminal AA

### Connect to the power

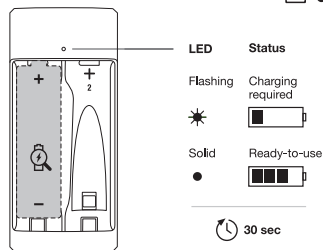


### Insert AA or AAA rechargeable battery

NiMH

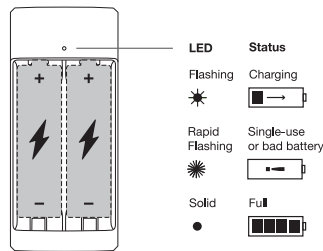


### Battery level check

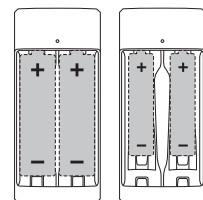


### Start charging

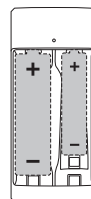
Charge in pairs



### ✓ Do



### ✗ Don't



### Charging time<sup>^</sup>

GP RECHARGE batteries (2 pcs)	Size	Capacity	Charging time
	AA	1000-2600 mAh	3-8 hrs
	AAA	400-950 mAh	2-3 hrs

<sup>^</sup> Charging time is subjected to the power rating of the USB adaptor with 5V/1A DC output and varies depending on battery capacities. Approximate charging time is based on the same battery size and capacity at ambient temperature (20°C).

Read the instruction manual thoroughly before use.  
Keep the manual for future reference.

GB

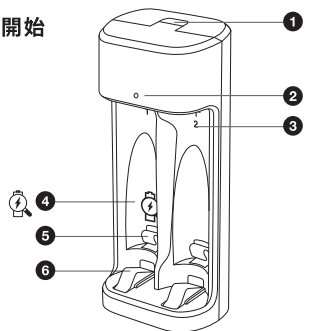
### Safety Information

For best performance and safety, always use GP RECHARGE NiMH batteries. It is normal for batteries to become hot during charging and they will gradually cool down to room temperature after fully charged. Remove batteries from the electrical device if the device is not going to be used for a long time. Battery storage temperature: -20 ~ +35°C. Charging operation temperature: 0 ~ +35°C. This charger is designed to charge NiMH batteries only. Charging other batteries may lead to explosion, battery rupture or leakage, personal injury or property damage. This charger is designed for indoor use only. Do not expose the charger to rain, snow or direct sunlight. Do not use the charger in humid conditions. Do not use the charger if it has a damaged plug. Do not use the charger after it has been dropped or damaged. Do not open/disassemble the charger. This charger is maintenance-free but should be wiped clean regularly with a dry and soft cloth. Do not use abrasives or solvents. Unplug the charger before cleaning. This appliance can be used by children aged from 8 years and above and persons with reduced physical, sensory or mental capabilities or lack of experience and knowledge if they have been given supervision or instruction concerning use of the appliance in a safe way and understand the hazards involved. Children shall not play with the appliance. Cleaning and user maintenance shall not be made by children without supervision.

This device complies with Part 15 of the FCC Rules. Operation is subject to the following two conditions: (1) this device may not cause harmful interference, and (2) this device must accept any interference received, including interference that may cause undesired operation.

Do not dispose of electrical appliances as unsorted municipal waste, use separate collection facilities. Contact your local government for information regarding the collection systems available. If electrical appliances are disposed of in landfills or dumps, hazardous substances can leak into the groundwater and get into the food chain, damaging your health and well-being.

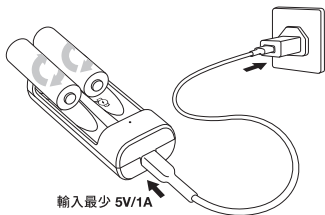
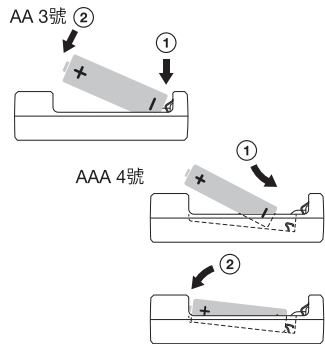
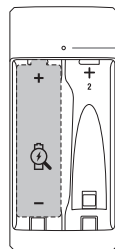


GP092301CO-Charger-E221  
Instruction Manual\_ENG+CHI\_IB\_V1\_  
(50x100mm)04**GP RECHARGE****充電器  
E221****快速使用指南****開始**

1. Micro-USB 電源輸入口
2. LED 指示燈 (綠色)
3. + 正極 AA 3號 / AAA 4號
4. 檢查電量 (只適用於插槽1)
5. - 負極 AAA 4號
6. - 負極 AA 3號



下載說明書

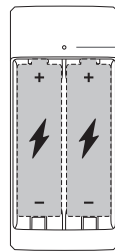
**連接電源****把 AA 3號 或 AAA 4號  
鎳氫充電電池放入充電器****檢查電量**

LED 燈 狀態	需要充電
綠燈閃動	
綠燈長亮	

30 秒

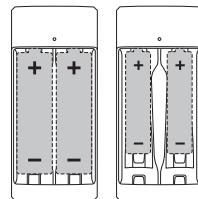
**開始充電**

以2粒電池為一組充電

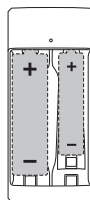


LED 燈 狀態	充電中
綠燈閃動	
綠燈快速閃動	
綠燈長亮	

✓ 可以



✗ 不可以

**充電時間**

GP RECHARGE 鎳氫充電電池 (2粒)	型號	容量	充電時間
	AA 3號	1000-2600 mAh	3-8 小時
	AAA 4號	400-950 mAh	2-3 小時

^ 充電時間取決於USB轉換器(5V/1A DC)額定功率及電池容量。  
充電時間基於在環境溫度(20°C)下的相同電池型號和容量。

使用前請先仔細參閱說明書，  
並保留說明書作日後參考。

TC

**安全須知**

為使產品能發揮最佳效能及安全使用，請使用 GP RECHARGE 鎳氫(NiMH)充電電池。電池充電時發熱為正常現象，充電完成後會逐漸降至室溫。若短期內不會使用該電子產品，請把電池取出。電池存放溫度：攝氏-20-35度。充電器操作時溫度：攝氏0-35度。此充電器是專為鎳氫(NiMH)充電電池而設，為其他類型電池充電可能導致爆炸、電池破裂或漏液、人身傷害或財產損失。此充電器僅供室內使用，切勿將其置於下雨、下雪的環境，或受陽光直射。請勿在潮濕環境下使用此充電器。請勿使用電源插頭損毀的充電器。請勿使用曾摔毀或已損壞的充電器，並且切勿打開或拆開該充電器。此充電器無須保養，但應定期使用乾爽柔軟的抹布擦拭。切勿使用研磨物料或溶劑清潔。清潔前請先拔掉電源。8歲或以上的兒童，或身體、感官或精神上有缺陷，或缺乏相關經驗和知識的人士使用此充電器時，必須受到監管或指導，確保其在安全情況下使用，並明白當中的潛在風險。兒童切勿將此充電器當作玩具。不應由兒童在沒有監管下清潔及維修此產品。

此儀器遵從FCC規例的第15部份。其操作符合下列兩項條件：(1) 此儀器不大可能產生有害干擾，及(2) 此儀器必須接納任何干擾，包括有可能引致操作問題的干擾。

請勿將充電器隨意丟棄於未分類的垃圾中，應使用特設的收集設施。請聯絡有關政府部門查詢可用的電子廢物收集系統。若充電器被棄置於電填區，釋放的有毒物質會滲透到地下水，進入食物鏈，影響公眾健康。