

PSM4-40/400 TNS IR

77707957

Surge Protection Device, Type 2, 4 poles, 3 phase WYE, 40kA(8/20),230V TNS, earthing system with Remote Indication



Scan this QR code and see the full range



[Link to the product page](#)

| Technical Data | Value | Units |
|--|--------------------|-------|
| Commercial data | | |
| Code | 77707957 | |
| Part Number | PSM4-40/400 TNS IR | |
| Status | Available | |
| EAN | 8435297830337 | |
| Tariff code (HS) | 8536.30.90 | |
| Dimensions | | |
| Product height | 90 | [mm] |
| Product width | 72 | [mm] |
| Product length | 70 | [mm] |
| Product weight | 432 | [gr] |
| General data | | |
| Internal configuration | 4P | |
| No. poles | 4 | |
| No. DIN rail modules | 4 | |
| Installation | (L1-L2-L3-N-PE) | |
| Format | Pluggable | |
| Network configuration | TT, TNS | |
| Certifications | CE; ÖVE; UL 1449 | |
| Designation according to EN 61643-11 | Type 2 | |
| Designation according to IEC 61643-11 | Class II | |
| Insulating material & flammability class | PA66 CT1; V-0 | |
| Base element color | Grey anthracite | |
| Cartridge color | Grey RAL 7035 | |
| Enclosure | IP 20 | |

| | | | |
|---|--------------------------|------------|--------|
| Temperature range | -40 °C ... +85 °C | | |
| Technical features | | | |
| Supply voltage | 230 / 400 [V] | | |
| Nominal voltage AC 50-60 Hz (L-N) | Un (L-N) | 230 | [V] |
| Nominal voltage AC 50-60 Hz (L-L) | Un (L-L) | 400 | [V] |
| Maximum continuous operating voltage (L-PE) | Uc (L-PE) | 275 | [V] |
| Maximum discharge current (8/20) (L-PE) | I _{max} (L-PE) | 40 | [kA] |
| Nominal discharge current (8/20) (L-PE) | I _n (L-PE) | 20 | [kA] |
| Voltage protection level (L-PE) at I _n | U _p (L-PE) | 1,3 | [kV] |
| Maximum back-up fuse | | 125 | A [gL] |
| Short circuit withstand | I _{sc} | 25 | [kA] |
| Response time (L-PE) | t _A (L-PE) | 25 | [ns] |
| Remote indication | | Yes | |
| Visual end of life indication | | Yes | |
| Dynamic thermal disconnection (L-PE) | | Yes | |

| | | | |
|--|----------------|-------------|------|
| UL Technical features | | | |
| File UL | E360120 | | |
| SPD UL Type | 2CA | | |
| Power distribution system | 3Y | | |
| Maximum continuous operating voltage (L-N) | MCOV (L-N) | 275 | [V] |
| Maximum continuous operating voltage (L-L) | MCOV (L-L) | 550 | [V] |
| Maximum continuous operating voltage (L-G) | MCOV (L-G) | 275 | [V] |
| Maximum continuous operating voltage (N-G) | MCOV (N-G) | 275 | [V] |
| Nominal discharge current (UL) | I _n | 20 | [kA] |
| Voltage protection level (L-N) at I _n | VPR (L-N) | 1800 | [V] |
| Voltage protection level (L-L) at I _n | VPR (L-L) | 1800 | [V] |
| Voltage protection level (L-G) at I _n | VPR (L-G) | 900 | [V] |
| Voltage protection level (N-G) at I _n | VPR (N-G) | 900 | [V] |
| Short circuit current rating | SCCR | 85 | [kA] |

| Certifications | Value | Units |
|----------------|------------------|-------|
| Certifications | CE; ÖVE; UL 1449 | |

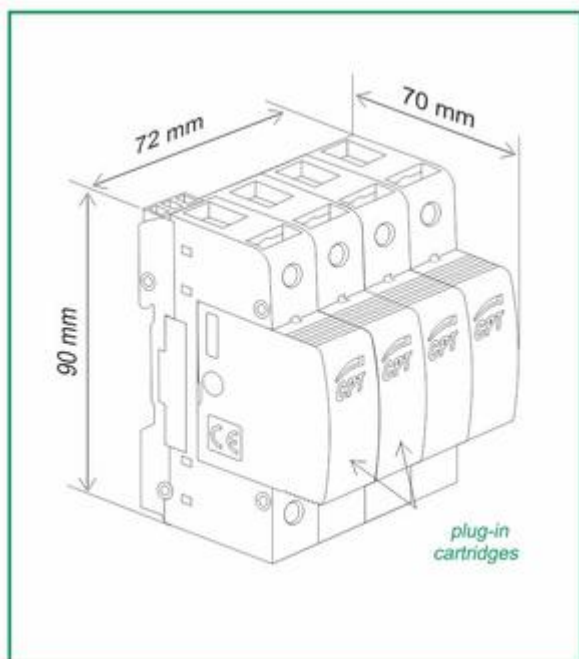
Accessories



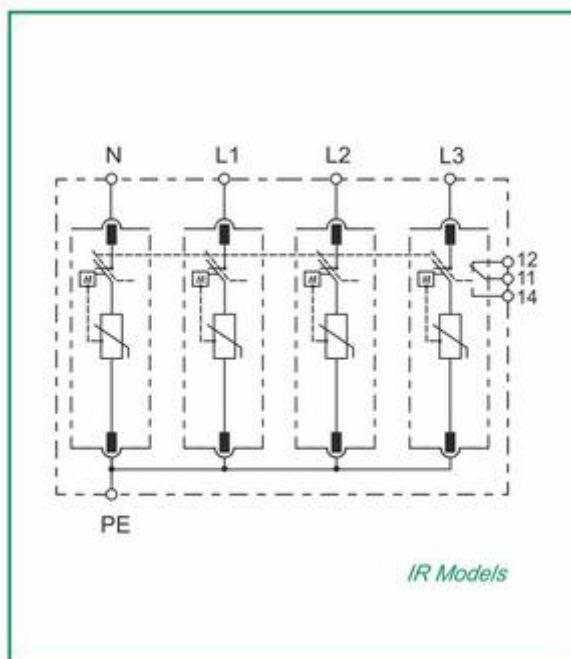
| | |
|-------------|---|
| Código | 77707654 |
| Referencia | PSM-40/230 |
| Description | Replaceable module, Type 2, Ph,40A(8/20), 230V |

Wiring diagrams

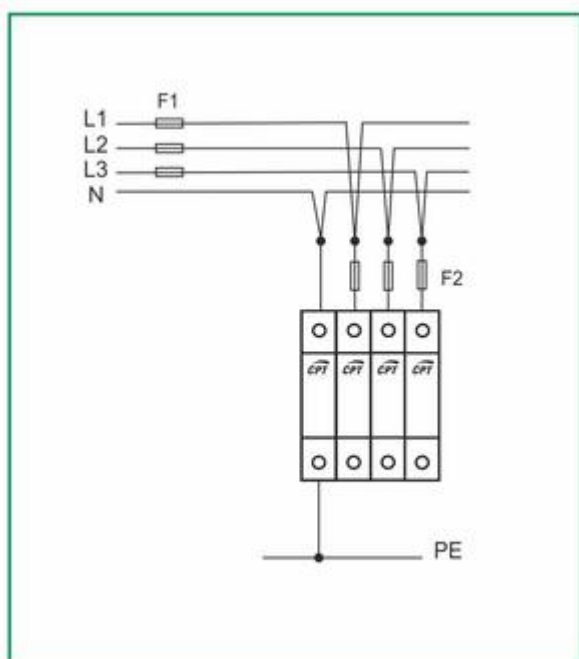
Dimensions



Internal configuration



Wiring diagram

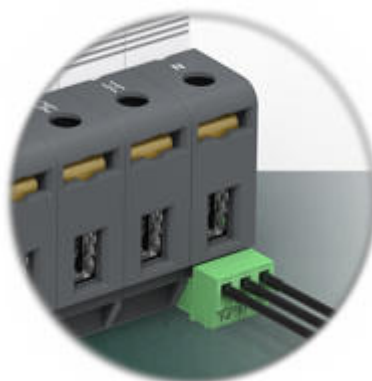


Other images

PSM-POLARIZADOR



PSM-INDICADOR-REMOTA



PSM-CONEXION-BICONNECT



PSM-INDICADOR-ESTADO



PSM-SUSTITUCION-CARTUCHO



Downloads

| | |
|----------------------|--|
| Install sheet | CPT-FAP-PROTECCION-CONTRA-SOBRETENSIONES-PSM4-40.pdf |
| Wiring diagram (CAD) | CPT-CAD-PROTECCION-CONTRA-SOBRETENSIONES-PSM4-40-400-TNS-IR-77707957.dwg |
| Wiring diagram (PDF) | CPT-CIP-PROTECCION-CONTRA-SOBRETENSIONES-PSM4-40-400-TNS-IR-77707957.pdf |

Address

SHEC

Shis-Hsien Enterprise Co. Ltd.

Tel. +886 228 58 78 85

Fax.+886 228 58 78 89

www.shishsien.com.tw

Copyright © Cirprotec, S.L.

[Legal Notice](#)