



ASSEMBLY GUIDE

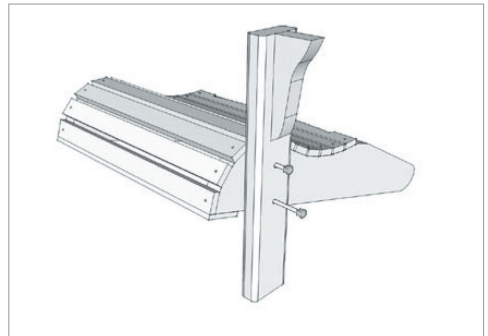
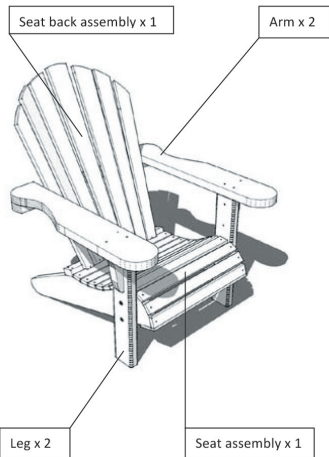


ADIRONDAK CHAIR & ROCKER

Assembly is easiest using a portable drill.

Please do NOT use a hammer as the screws will break.

It is useful to refer to the photographs in the brochure when assembling your furniture.

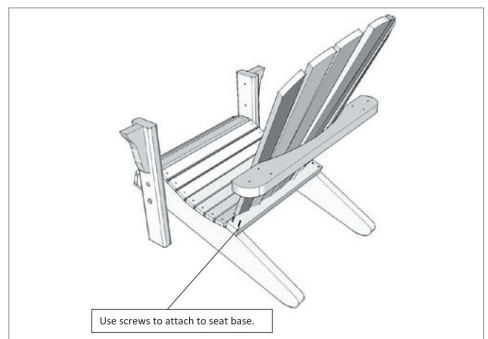


1. Attach the legs to the seat assembly using dome head bolts and affix using a washer

and nut.



2. Attach the seat back assembly to the main seat using four long torx head screws.



3. Attach the arms to the seat back and legs using 12 x torx screws.

DON'T FORGET TO PAINT ON THE FURNITURE PROTECTOR AS SOON AS THE PRODUCT IS ASSEMBLED, UNLESS ANOTHER FINISH IS TO BE APPLIED.