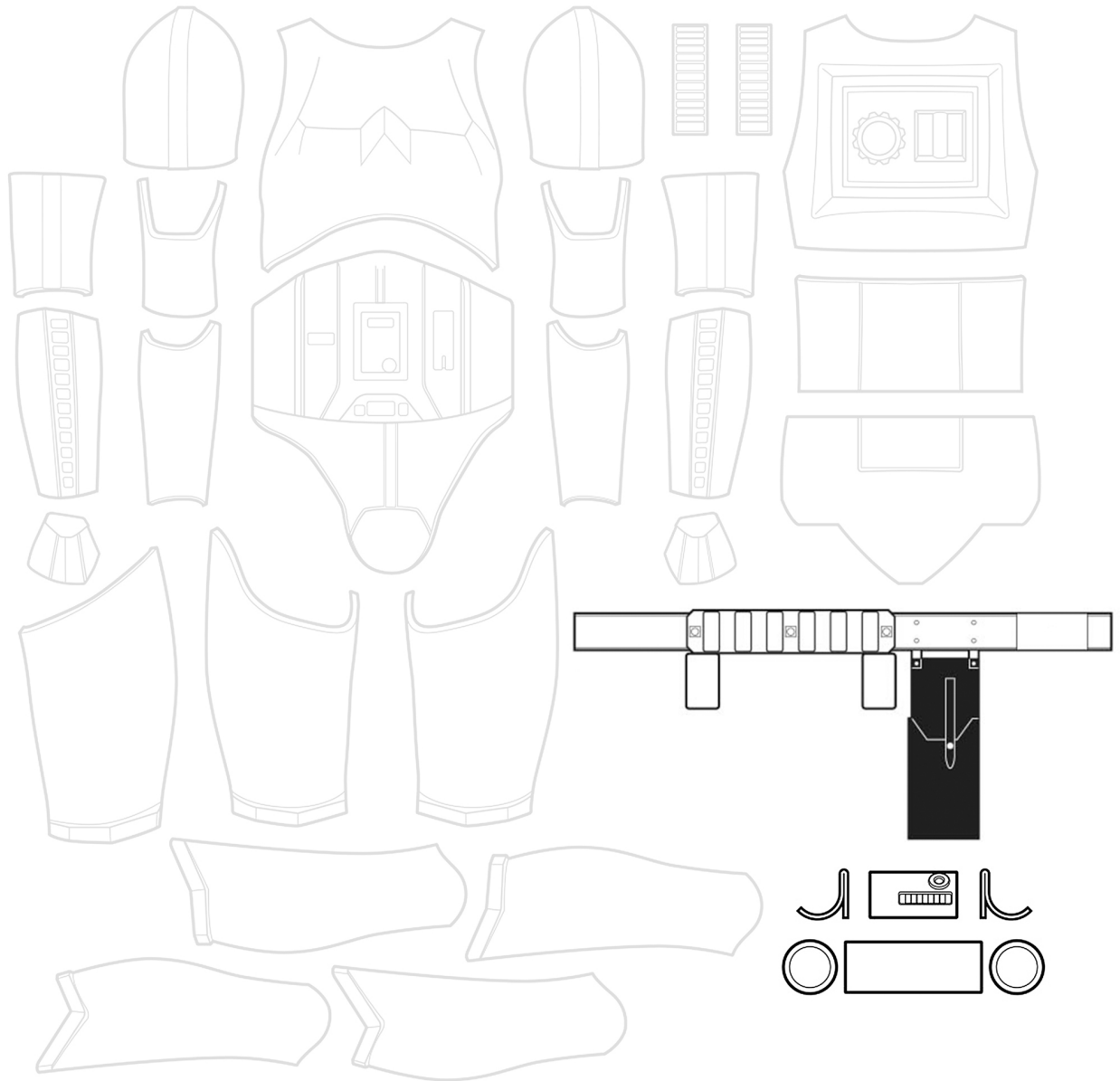


STAR WARS™

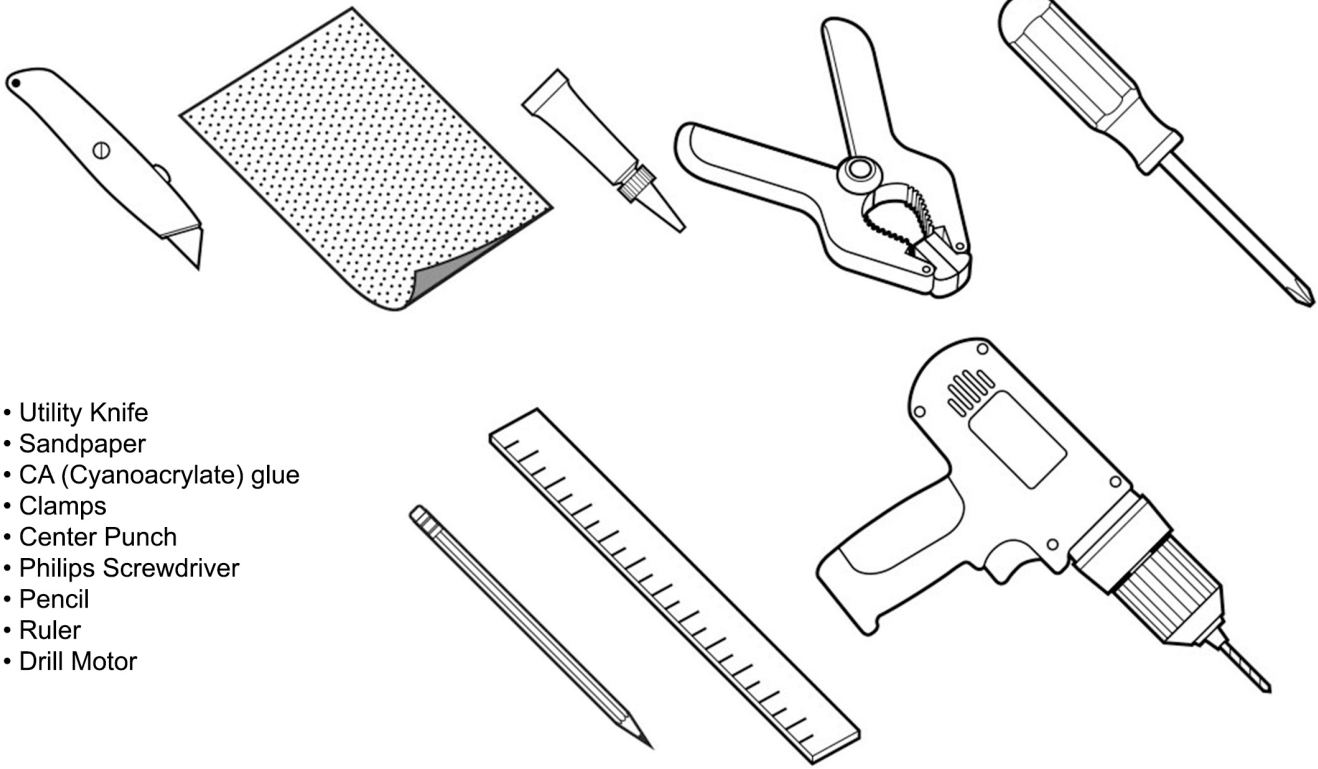
TK ARMOR BUNDLE (BELT & DETONATOR)



**ASSEMBLY
INSTRUCTIONS**

 **ANOVOS®**

TOOLS NEEDED



- Utility Knife
- Sandpaper
- CA (Cyanoacrylate) glue
- Clamps
- Center Punch
- Philips Screwdriver
- Pencil
- Ruler
- Drill Motor

SAFETY

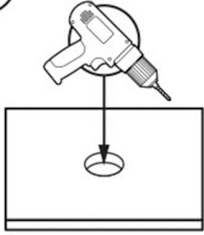


- Use caution when handling sharp instruments and tools.
- Wear safety glasses, dust mask and work gloves during assembly to prevent injury.
- Stay in well ventilated area when using any glue or paint.
- Keep small children away from poly-bags and all tools.

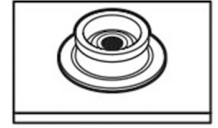
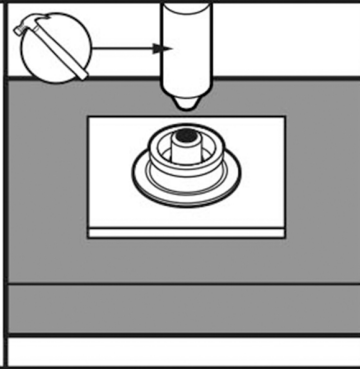
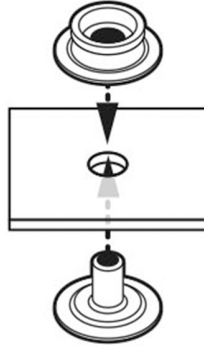
COMMON TECHNIQUES



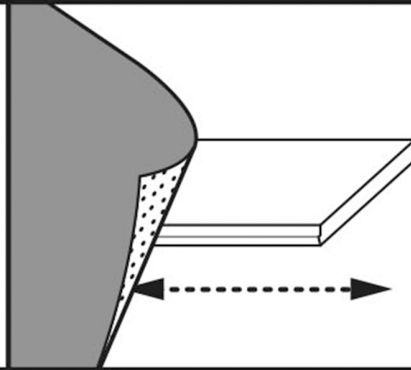
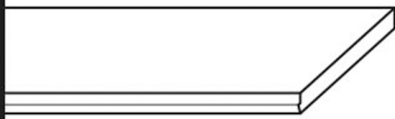
MALE SNAPS *(be sure to follow instructions included with your specific snap tool)*



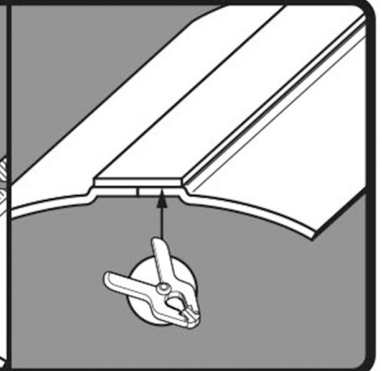
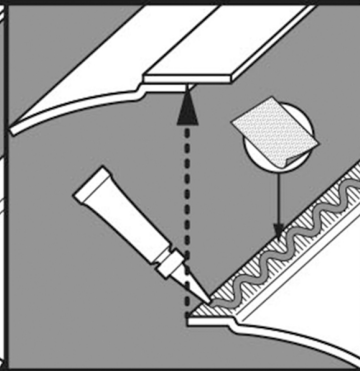
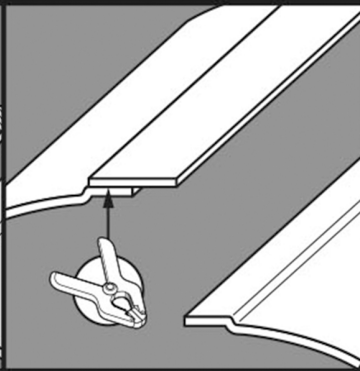
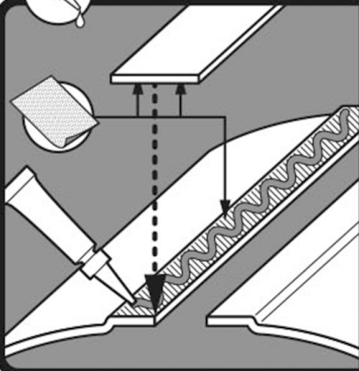
Drill 3/16in. (4mm) hole



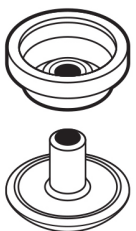
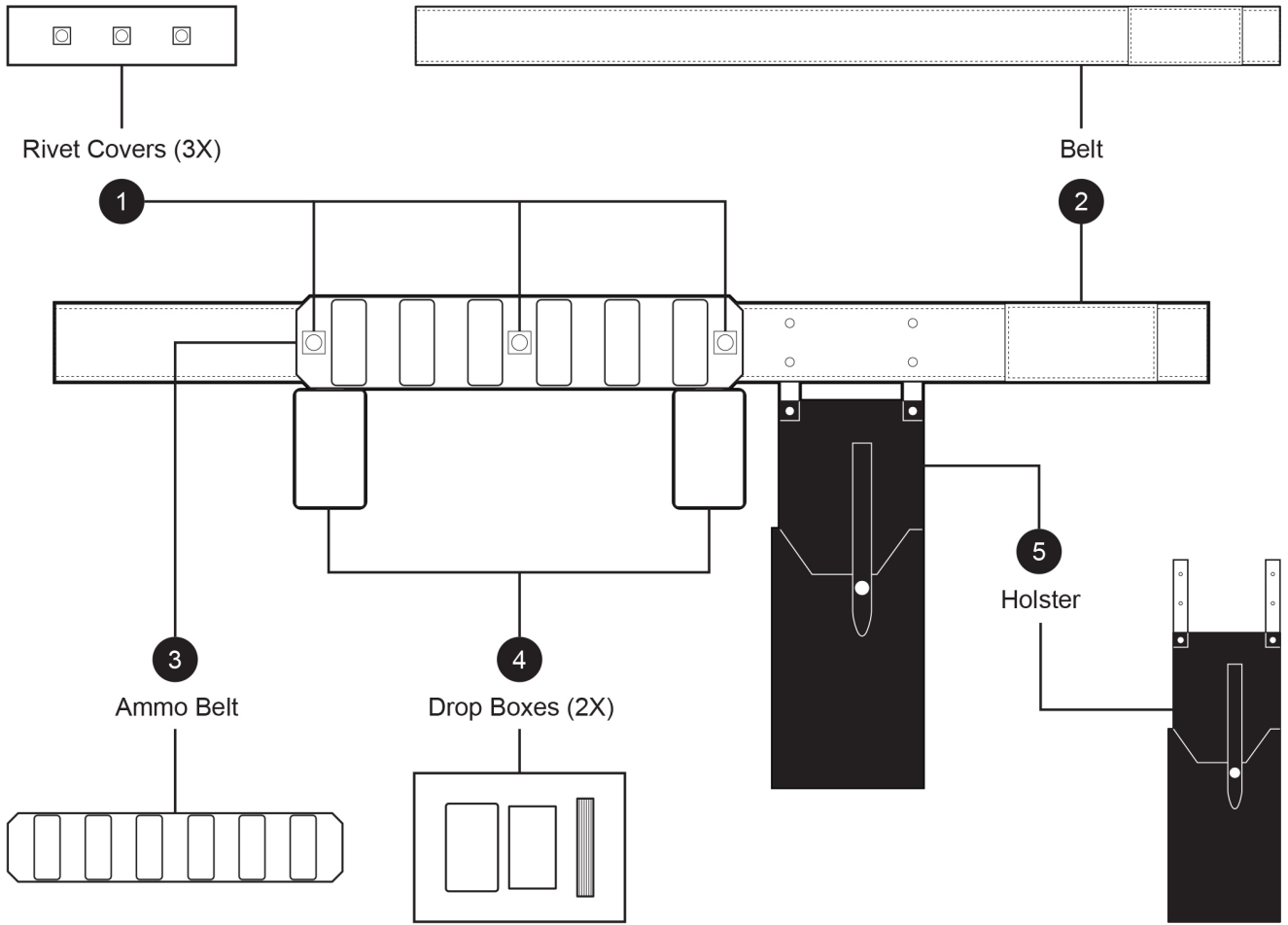
SANDING EDGES



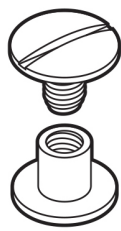
GLUING *(sand surfaces to be glued)*



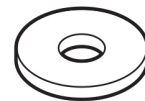
PARTS AND HARDWARE



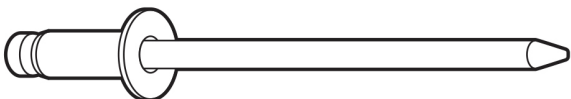
Snaps
(2)



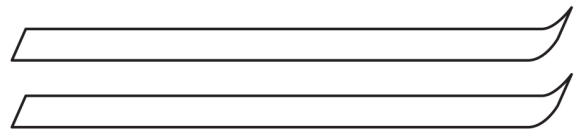
Screw Posts
(4)



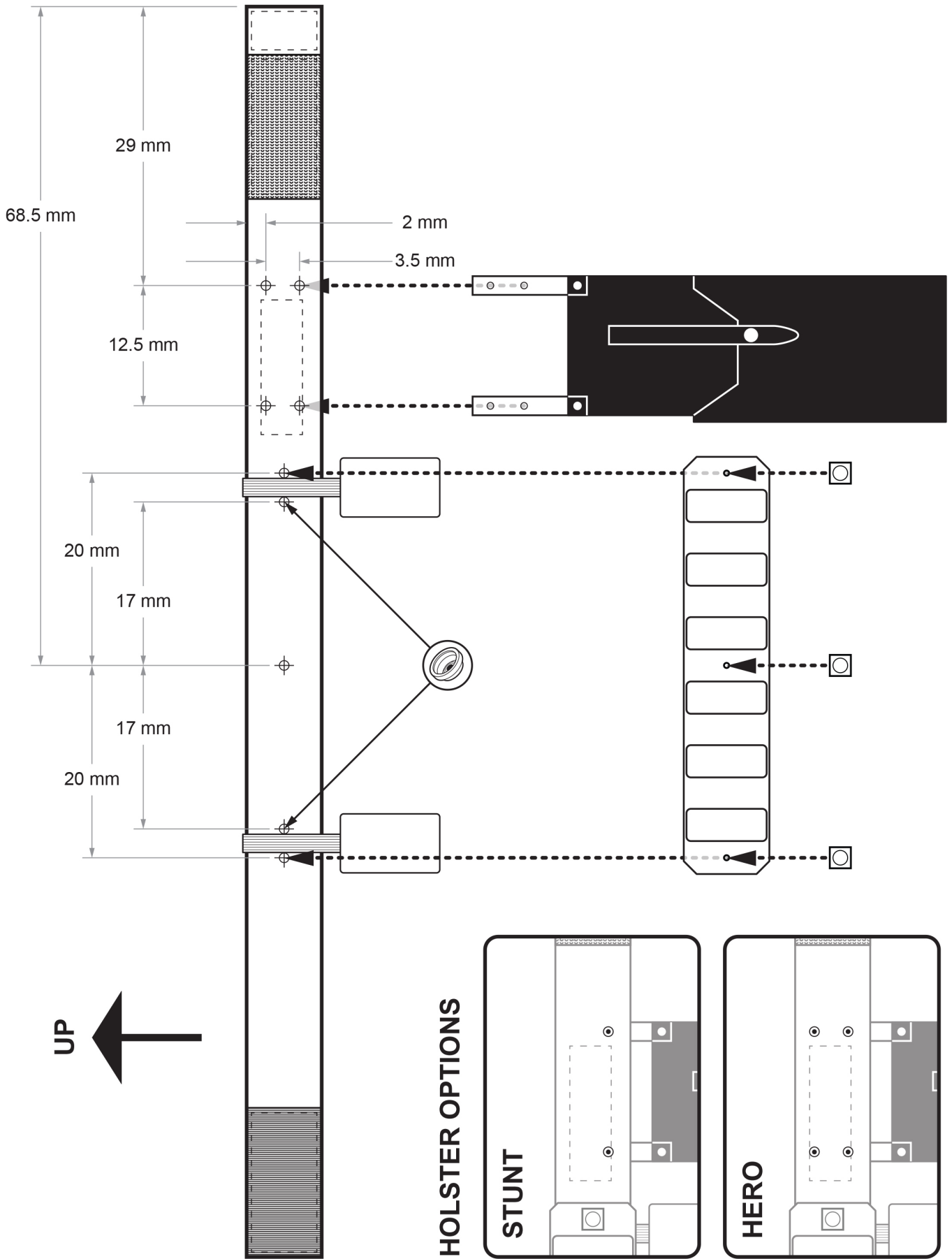
Washers
(6)



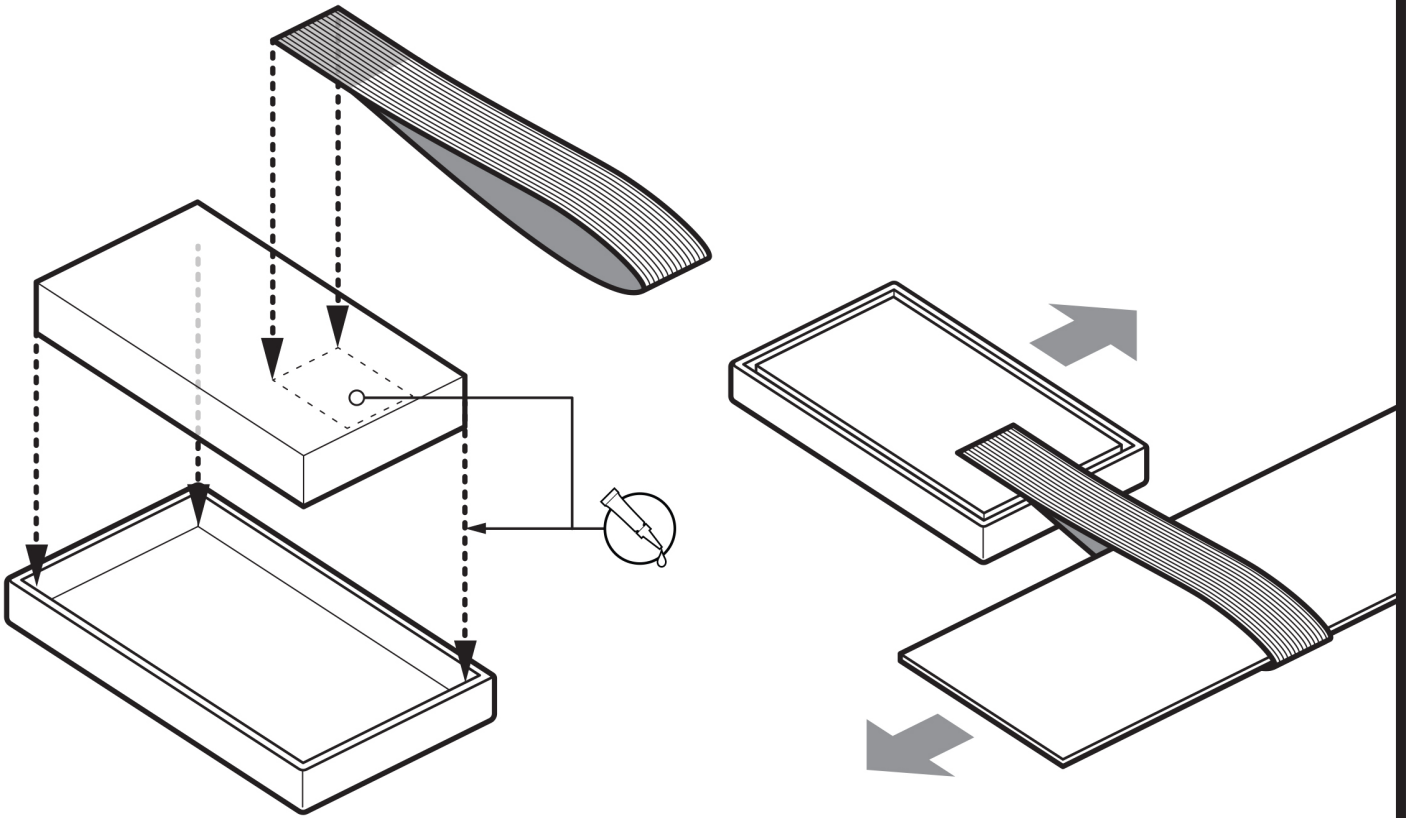
Pop Rivets
(3)



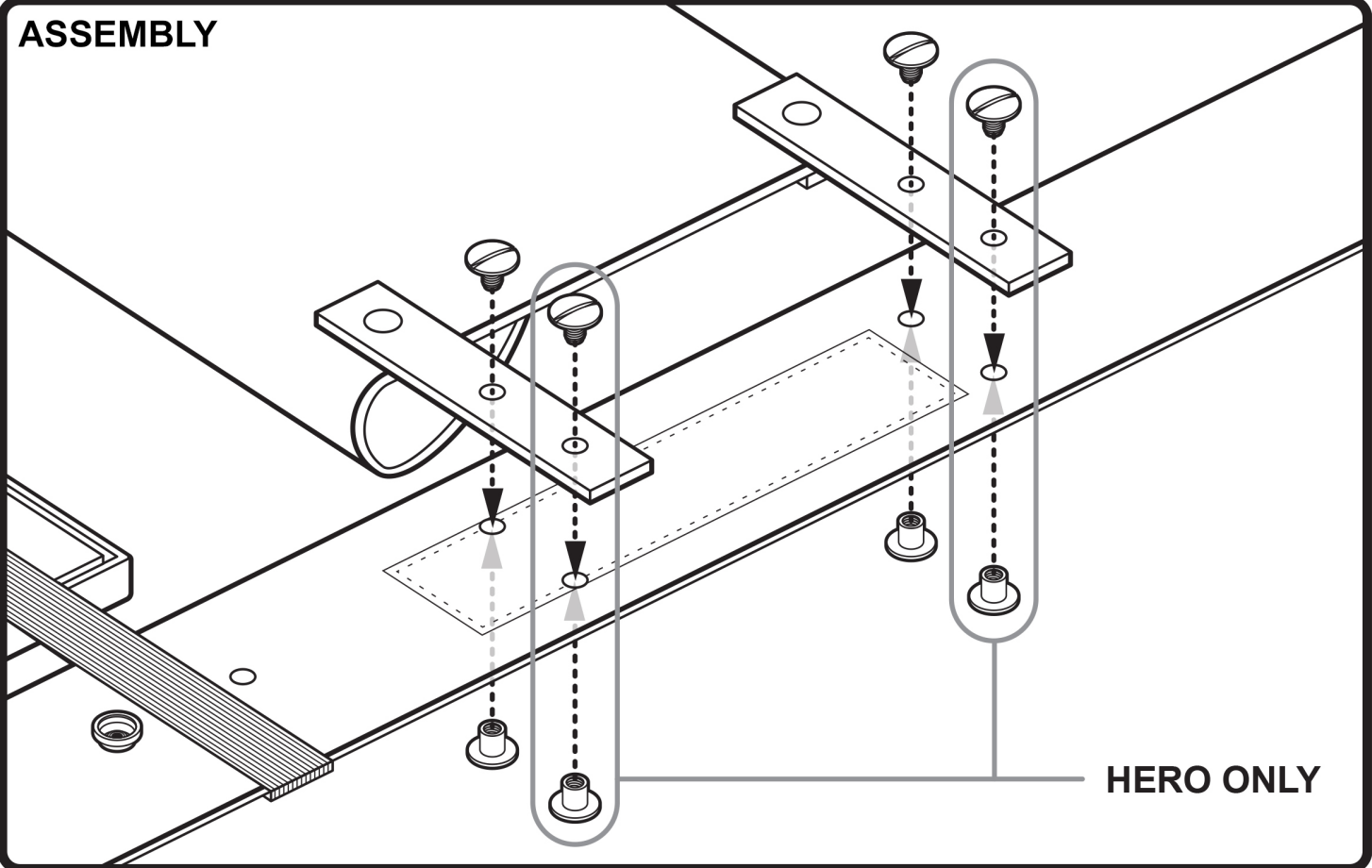
Elastic Strips (2)
.75 inch wide



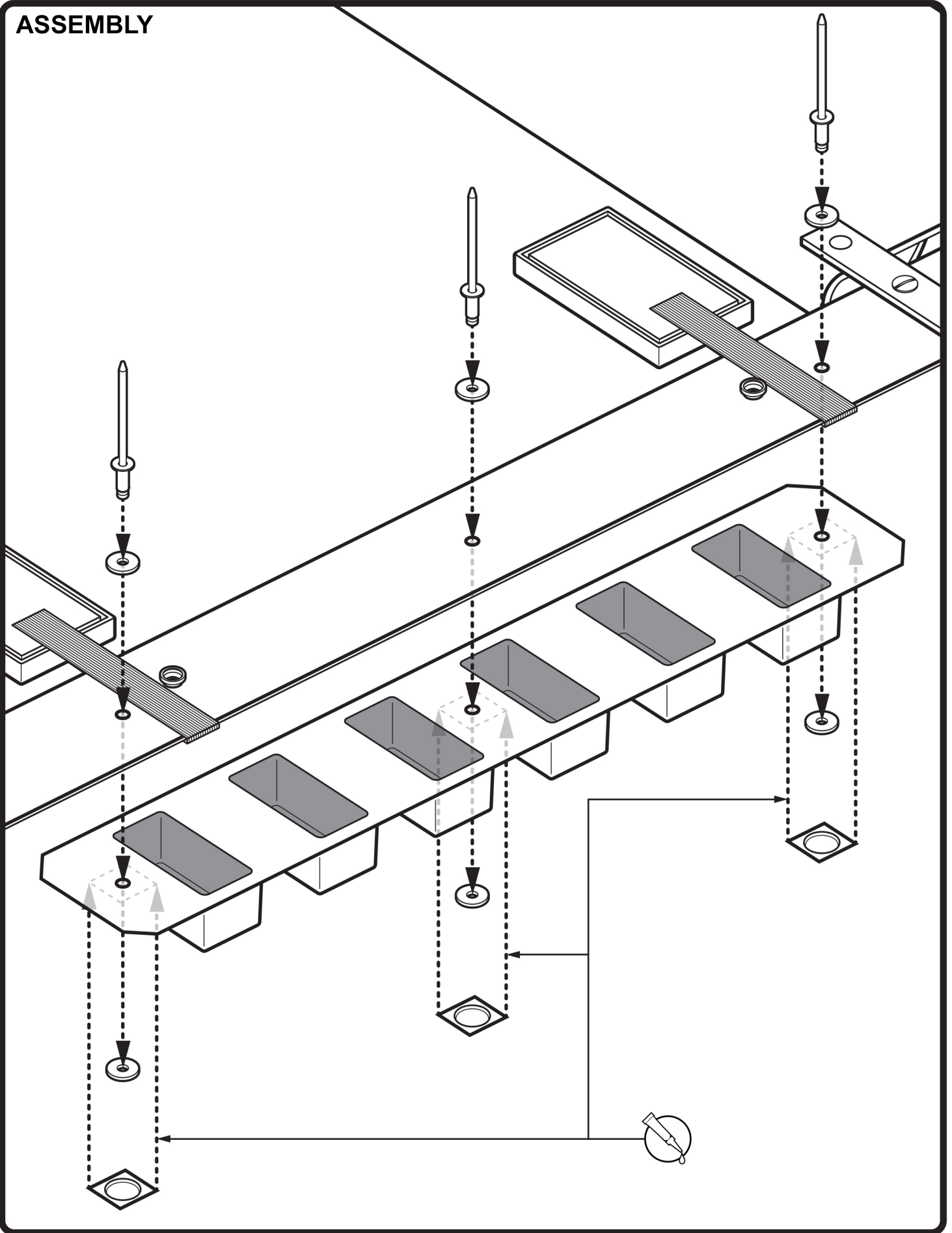
ASSEMBLY



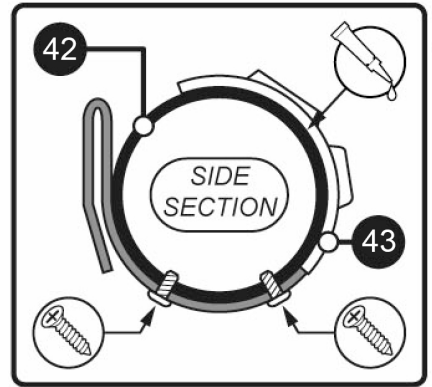
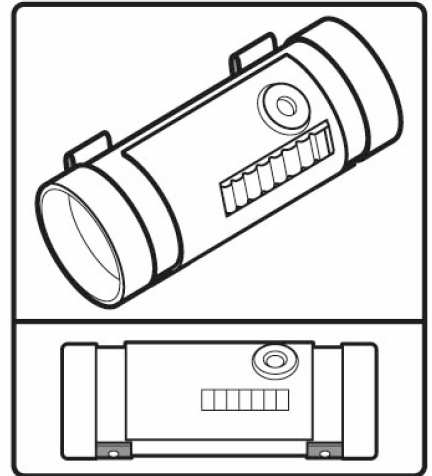
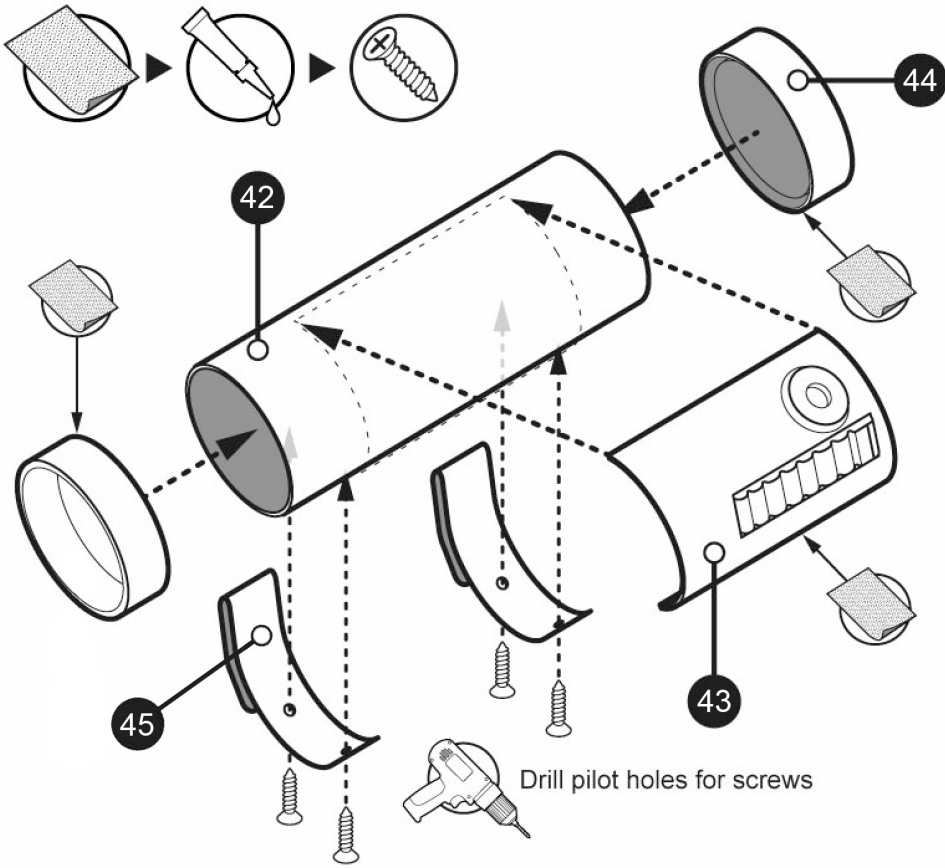
ASSEMBLY



ASSEMBLY



ASSEMBLY (DETONATOR)



**Downloadable assembly instruction booklet available at:
www.ANOVOS.com/pages/star-wars-product-instructions**

www.STARWARS.com

© & ™ Lucasfilm Ltd.

Product subject to change without notice, Actual product may vary.

Anovos logo ©, © 2018 ANOVOS, All Rights Reserved.

ANOVOS, 1197 East Los Angeles Ave, Suite C301, Simi Valley, CA 93065 USA

www.ANOVOS.com/StarWars

THIS IS NOT A TOY. NOT INTENDED FOR CHILDREN.

(Version 2018, V1)

