

# STAR WARS™

## STORMTROOPER™ ARMOR KIT

ASSEMBLY  
INSTRUCTIONS



 ANOVOS®

# UNBOXING

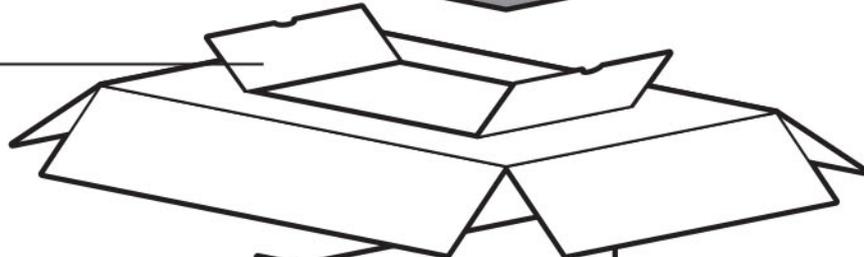
Protective insert



Artwork insert



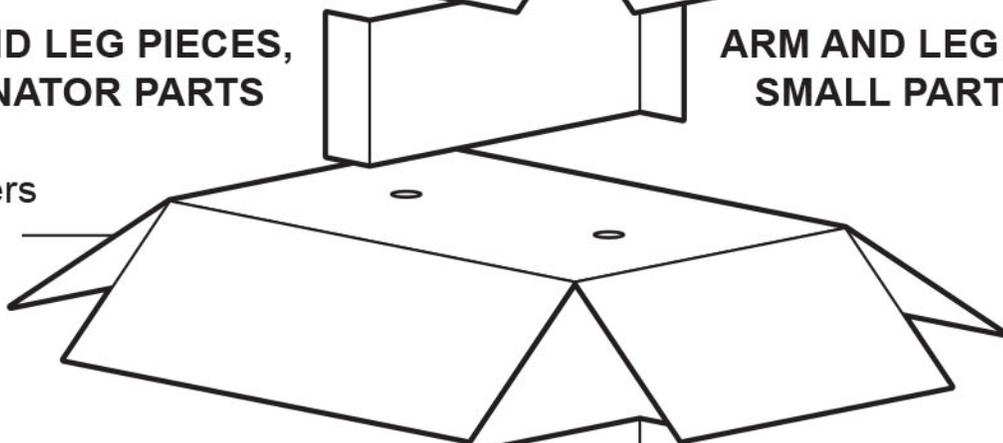
Open flaps  
and pull out



**ARM AND LEG PIECES,  
DETONATOR PARTS**

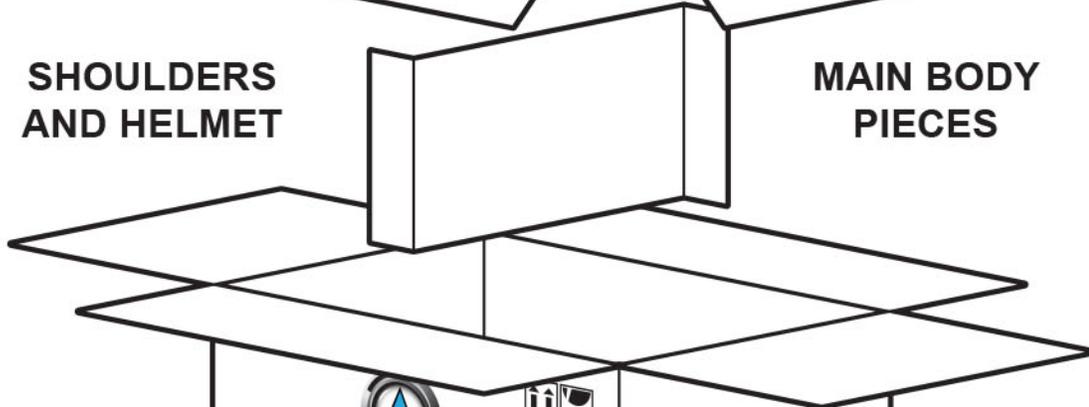
**ARM AND LEG PIECES,  
SMALL PARTS BAG**

Insert fingers  
in holes to  
lift out

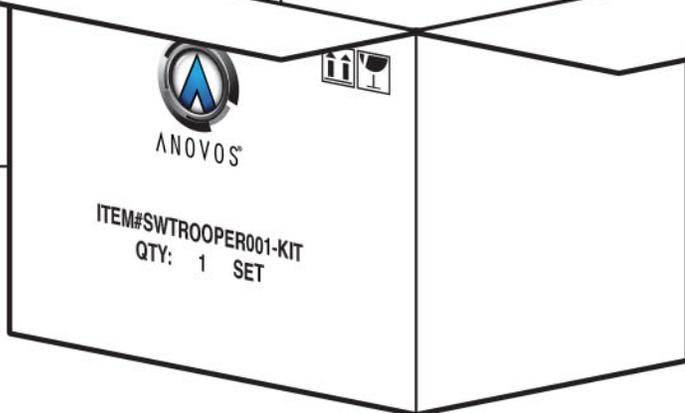


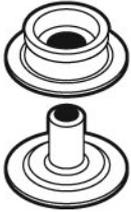
**SHOULDERS  
AND HELMET**

**MAIN BODY  
PIECES**

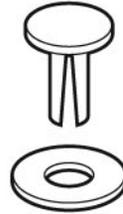


Shipping Box

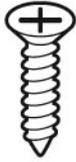




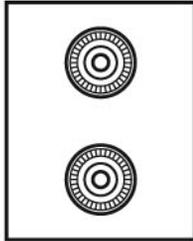
Snap Assemblies (male)  
(9)



Split Rivets & Washers  
(12)



Screws (4)



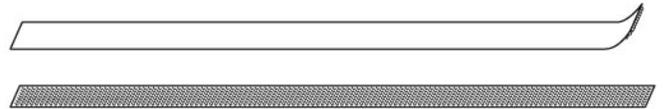
ABS Plate  
Buttons (2)

Ear Stripes (optional)



Hook and Loop (black)  
2 inch wide roll  
Loop side only - Adhesive backed

Hook and Loop (white)  
3/4 inch wide strip (Hook Side)  
1 inch wide strip (Loop Side)

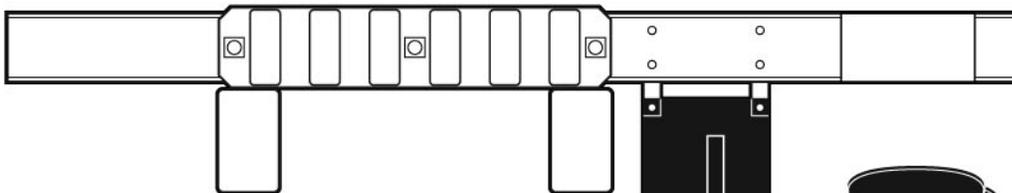


### Plastic Strips (white)

- 36) 18in. x .79in. x .06in. (46cm x 2cm x 1.5mm) - 2 pieces
- 37) 13.4in. x .79in. x .06in. (34cm x 2cm x 1.5mm) - 2 pieces
- 38) 15.75in. x .79in. x .06in. (40cm x 2cm x 1.5mm) - 2 pieces
- 39) 15.75in. x 1in. x .06in. (40cm x 2.5cm x 1.5mm) - 2 pieces
- 40) 11.8in. x .6in. x .06in. (30cm x 1.5cm x 1.5mm) - 4 pieces
- 41) 7.9in. x .6in. x .06in. (20cm x 1.5cm x 1.5mm) - 4 pieces

### Complete Pieces (No Assembly Required)

Belt with Holster



Helmet

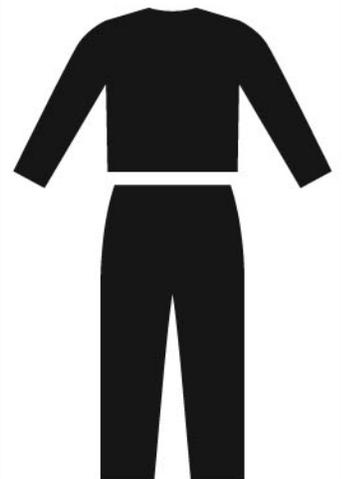


Neck Seal

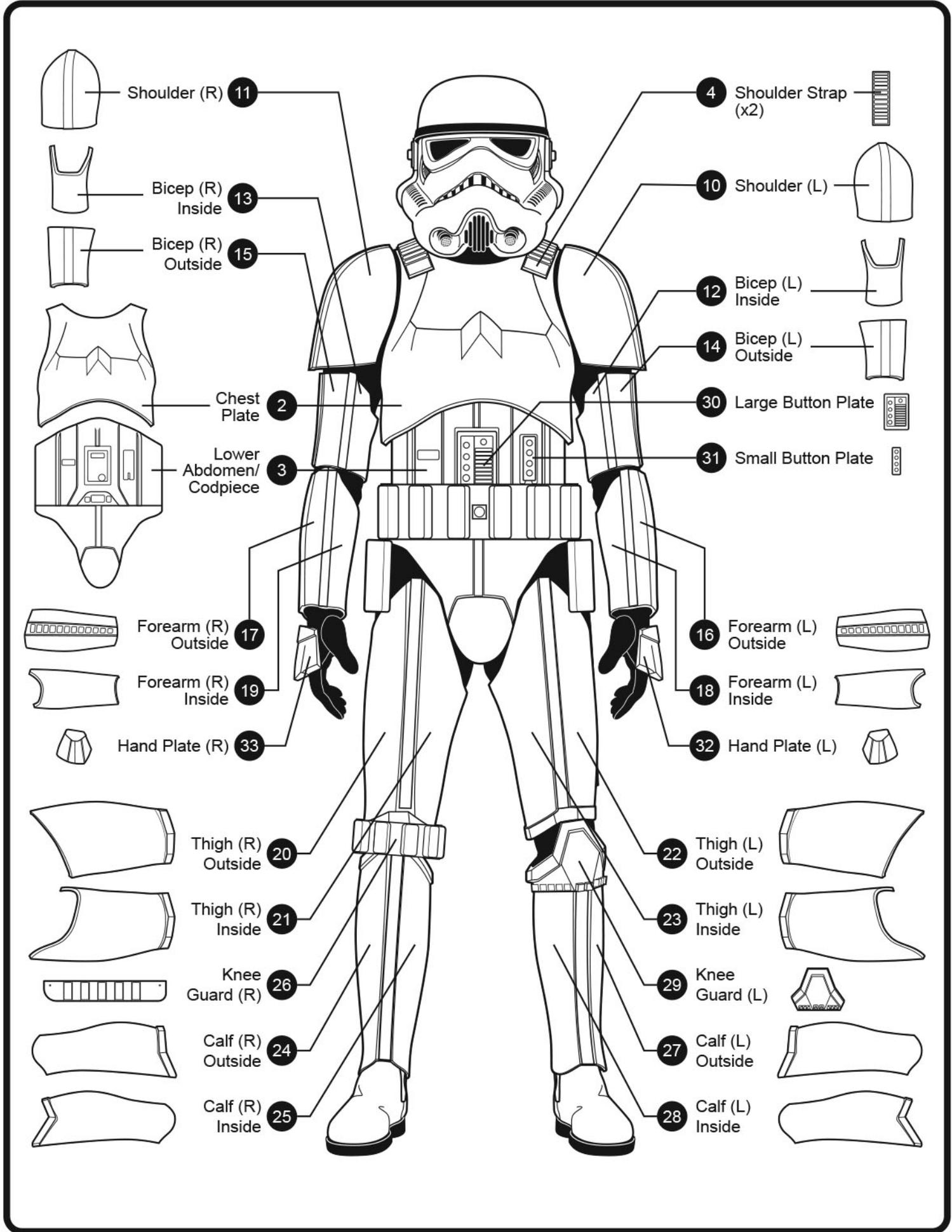


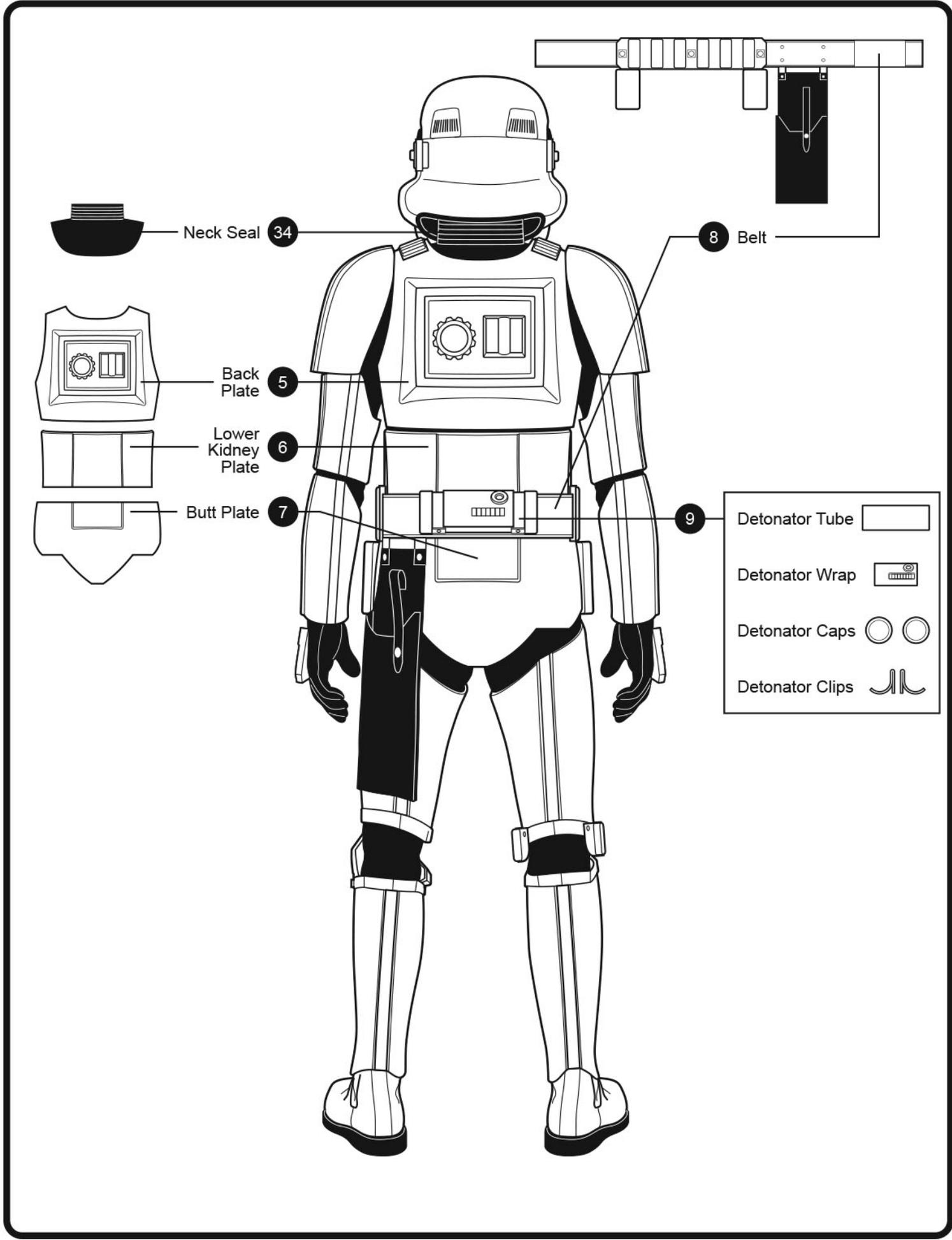
Gloves

### Undersuit (Size M, L, XL, or XXL)

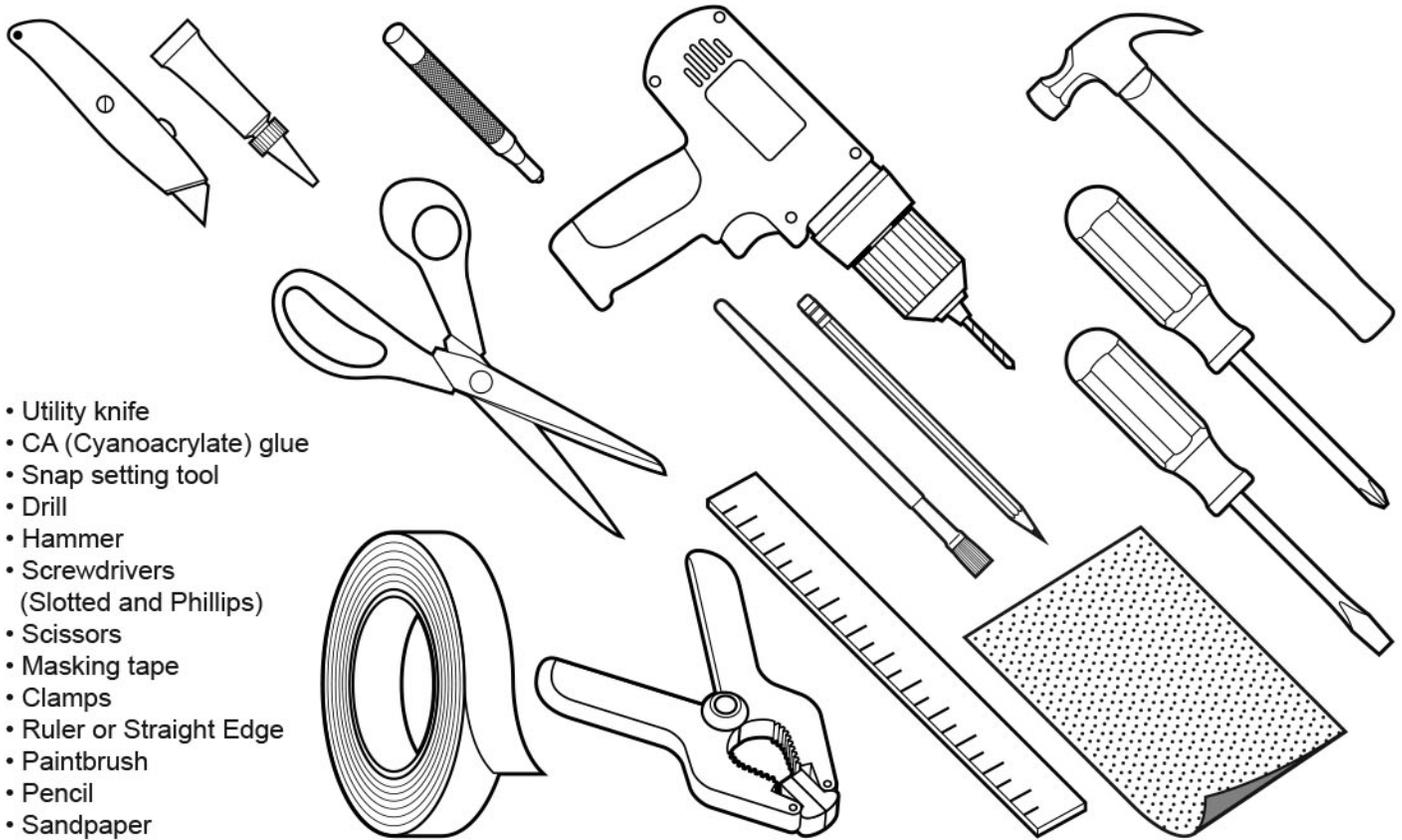








## TOOLS NEEDED



- Utility knife
- CA (Cyanoacrylate) glue
- Snap setting tool
- Drill
- Hammer
- Screwdrivers (Slotted and Phillips)
- Scissors
- Masking tape
- Clamps
- Ruler or Straight Edge
- Paintbrush
- Pencil
- Sandpaper

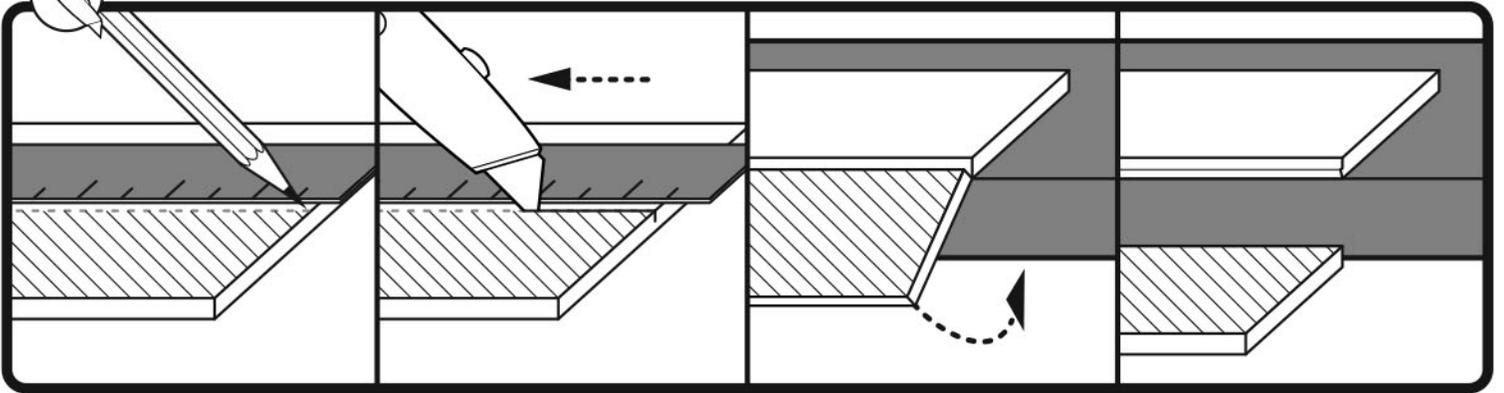
## SAFETY



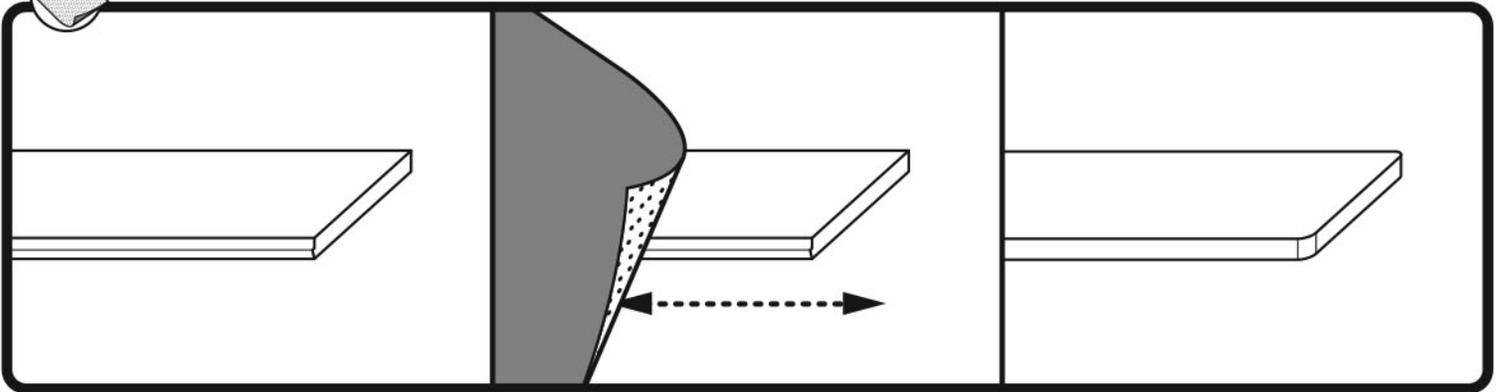
- Use caution when handling sharp instruments and tools.
- Wear safety glasses, dust mask and work gloves during assembly to prevent injury.
- Stay in well ventilated area when using any glue or paint.
- Keep small children away from poly-bags and all tools.

## COMMON TECHNIQUES

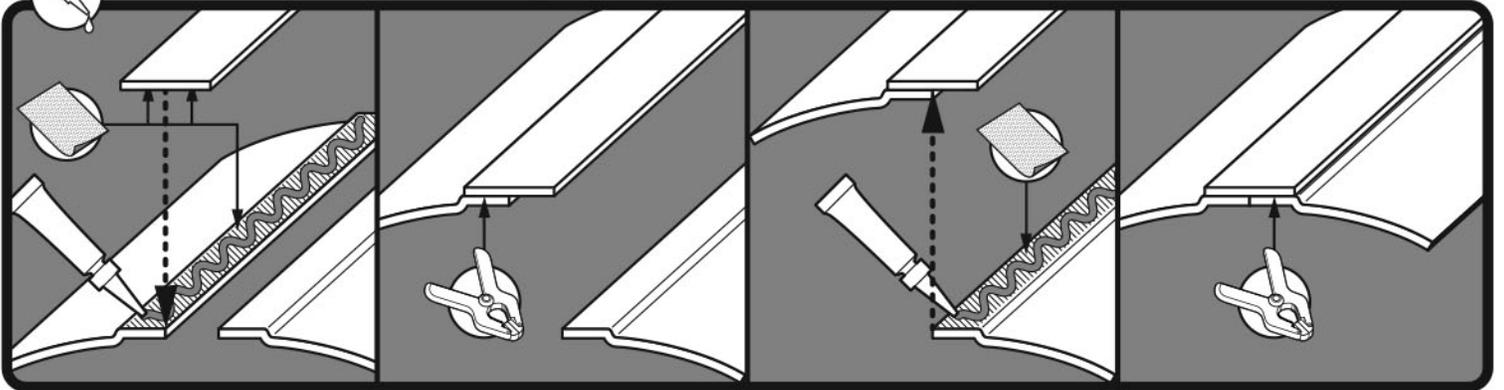
### SCORE AND SNAP



### SANDING EDGES



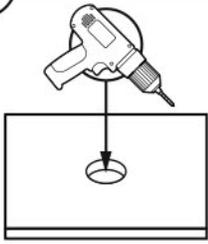
### GLUING *(sand surfaces to be glued)*



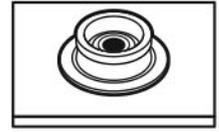
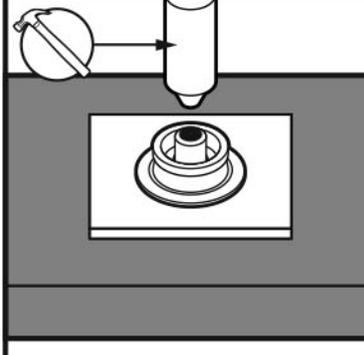
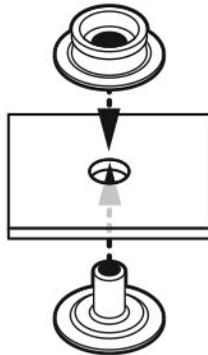
# COMMON TECHNIQUES



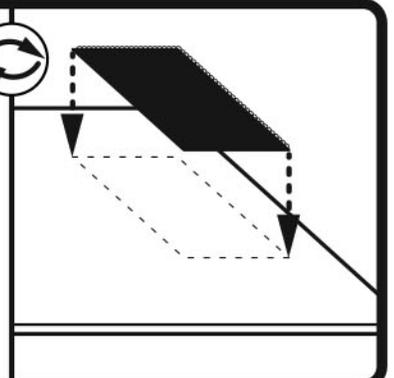
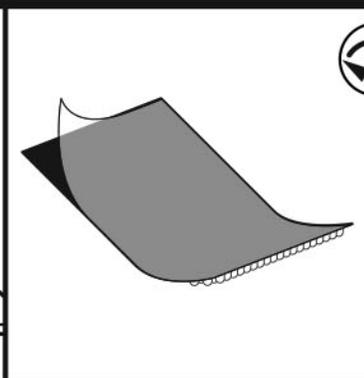
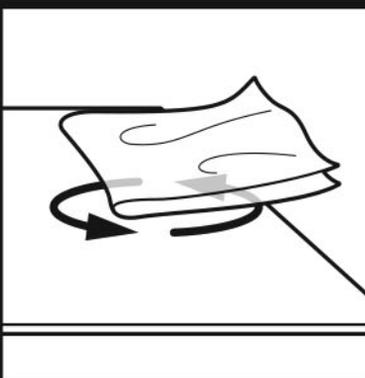
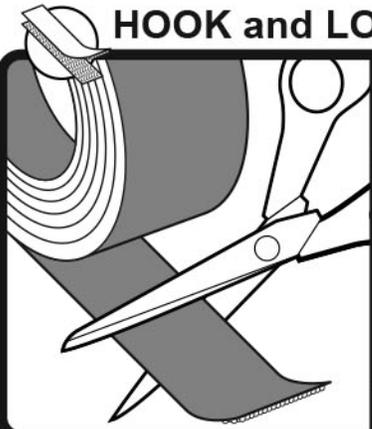
## MALE SNAPS *(be sure to follow instructions included with your specific snap tool)*



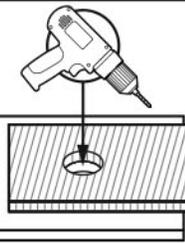
Drill 3/16in. (4mm) hole



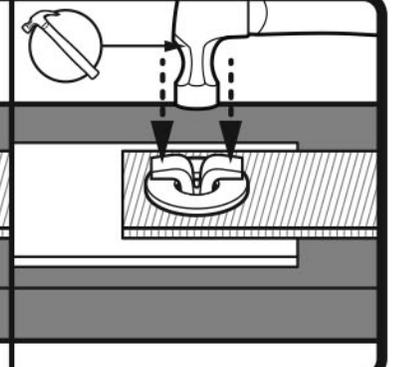
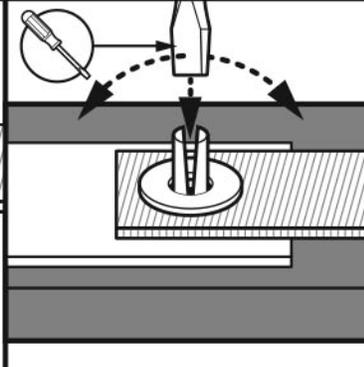
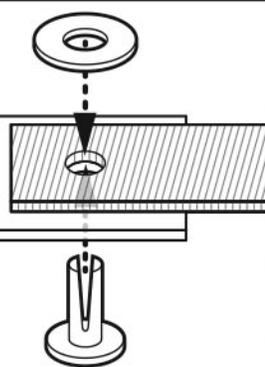
## HOOK and LOOP *(be sure to clean the surface before applying adhesive Hook and Loop)*



## SPLIT RIVETS



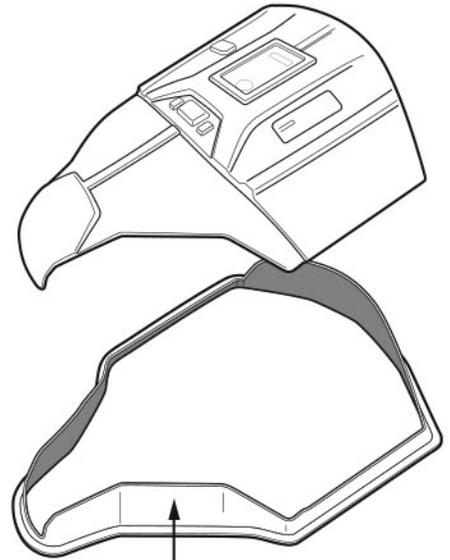
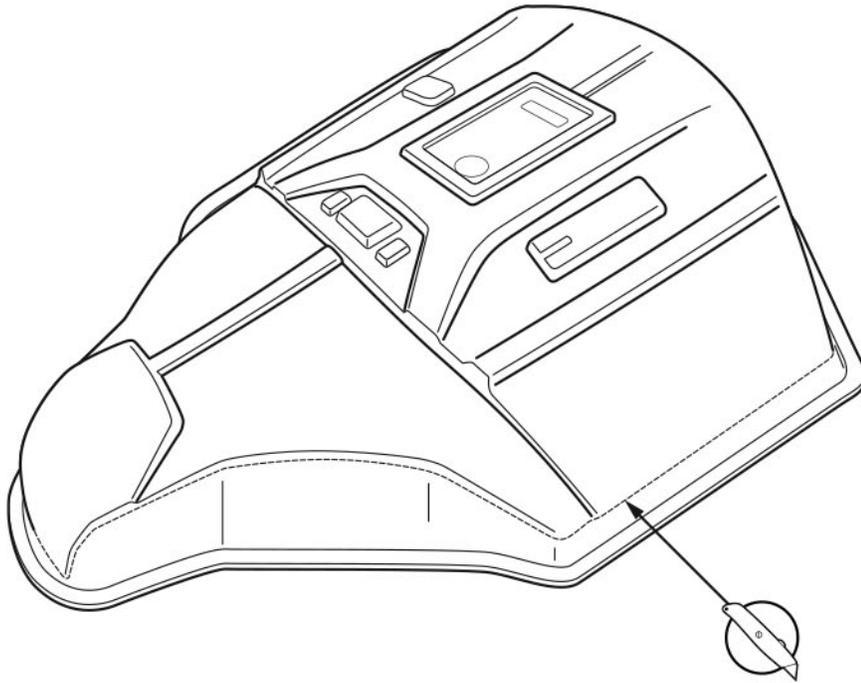
Drill 5/32in. (3.5mm) hole



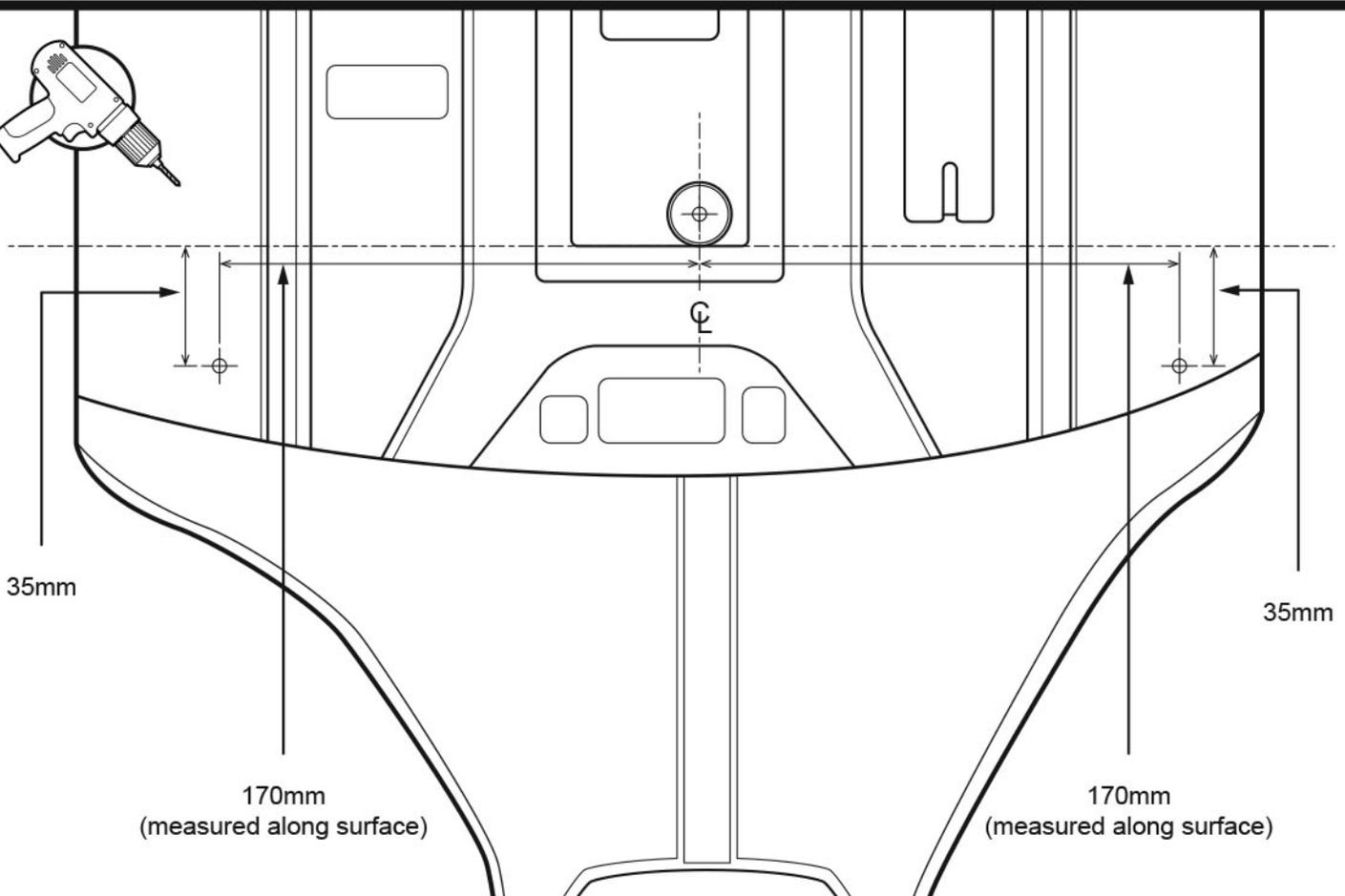


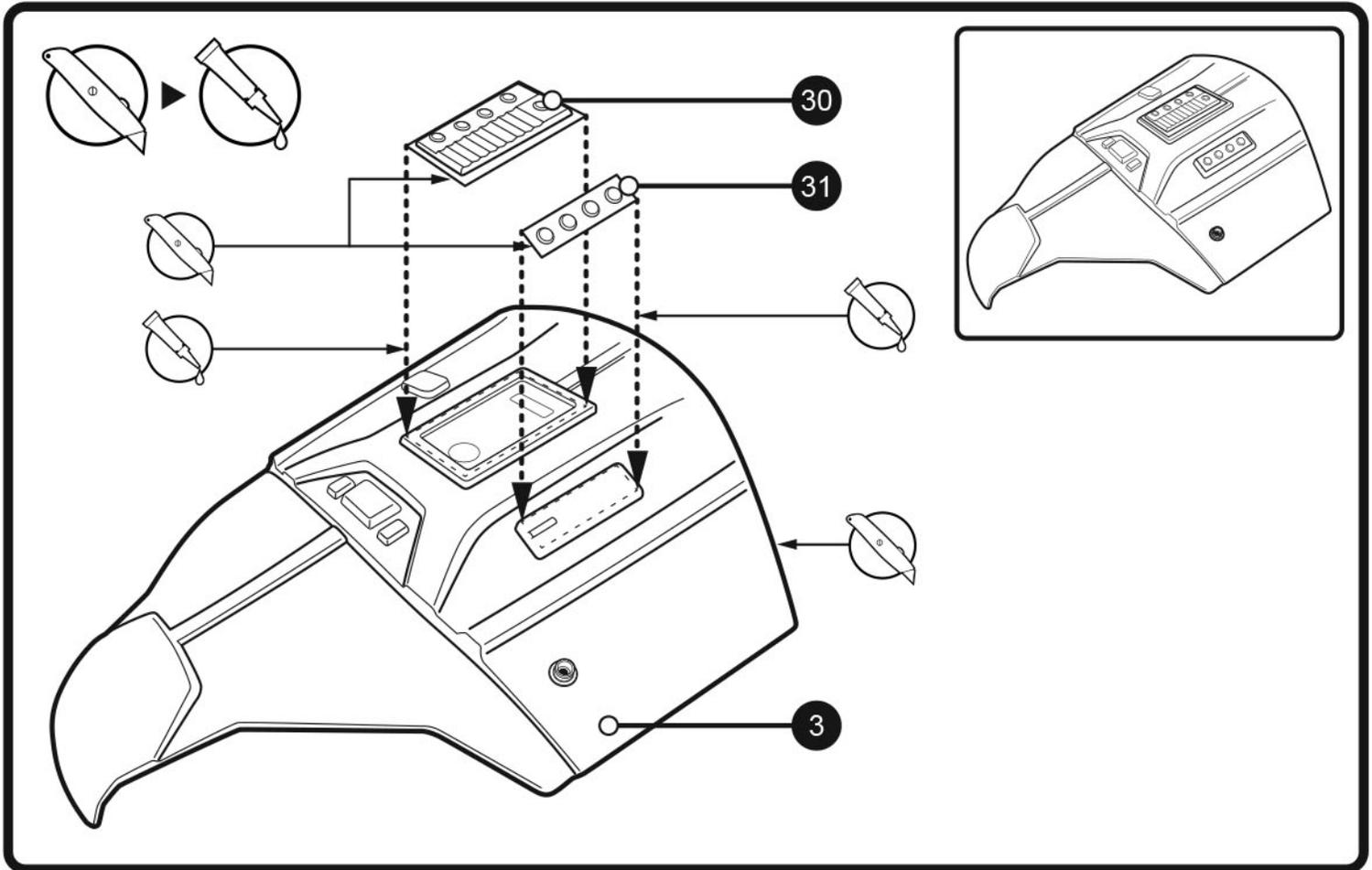
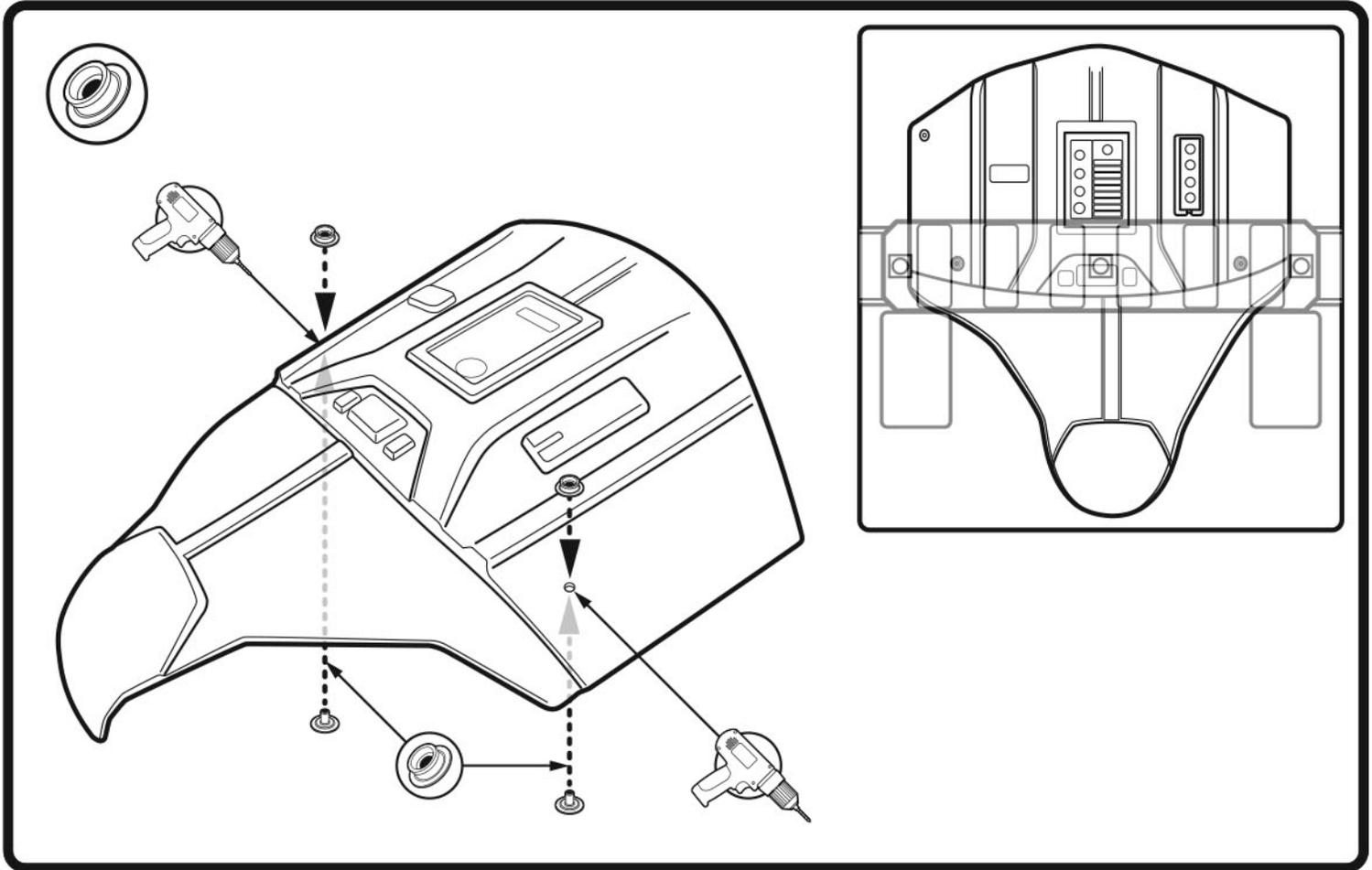
## TRIMMING PARTS

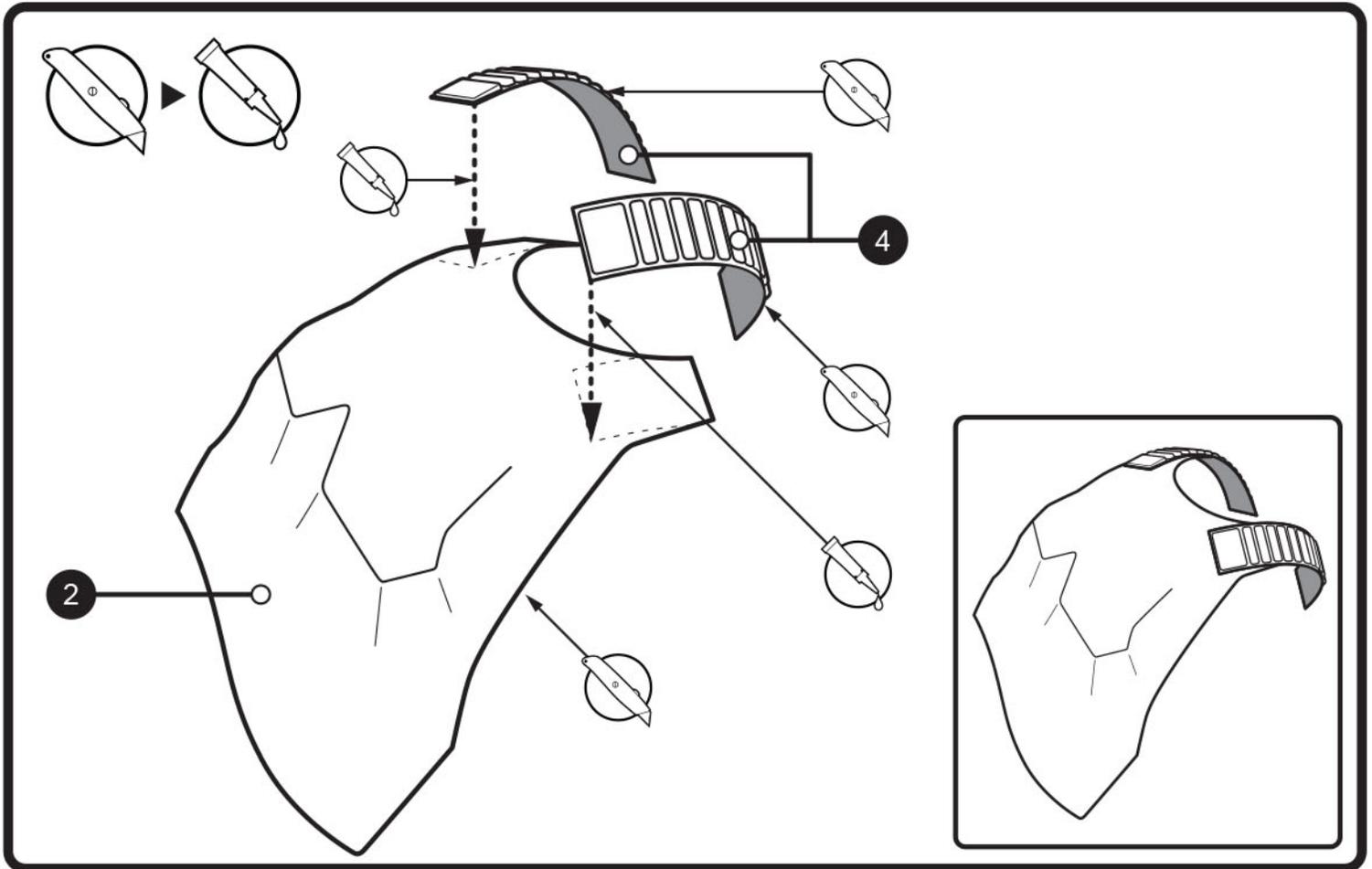
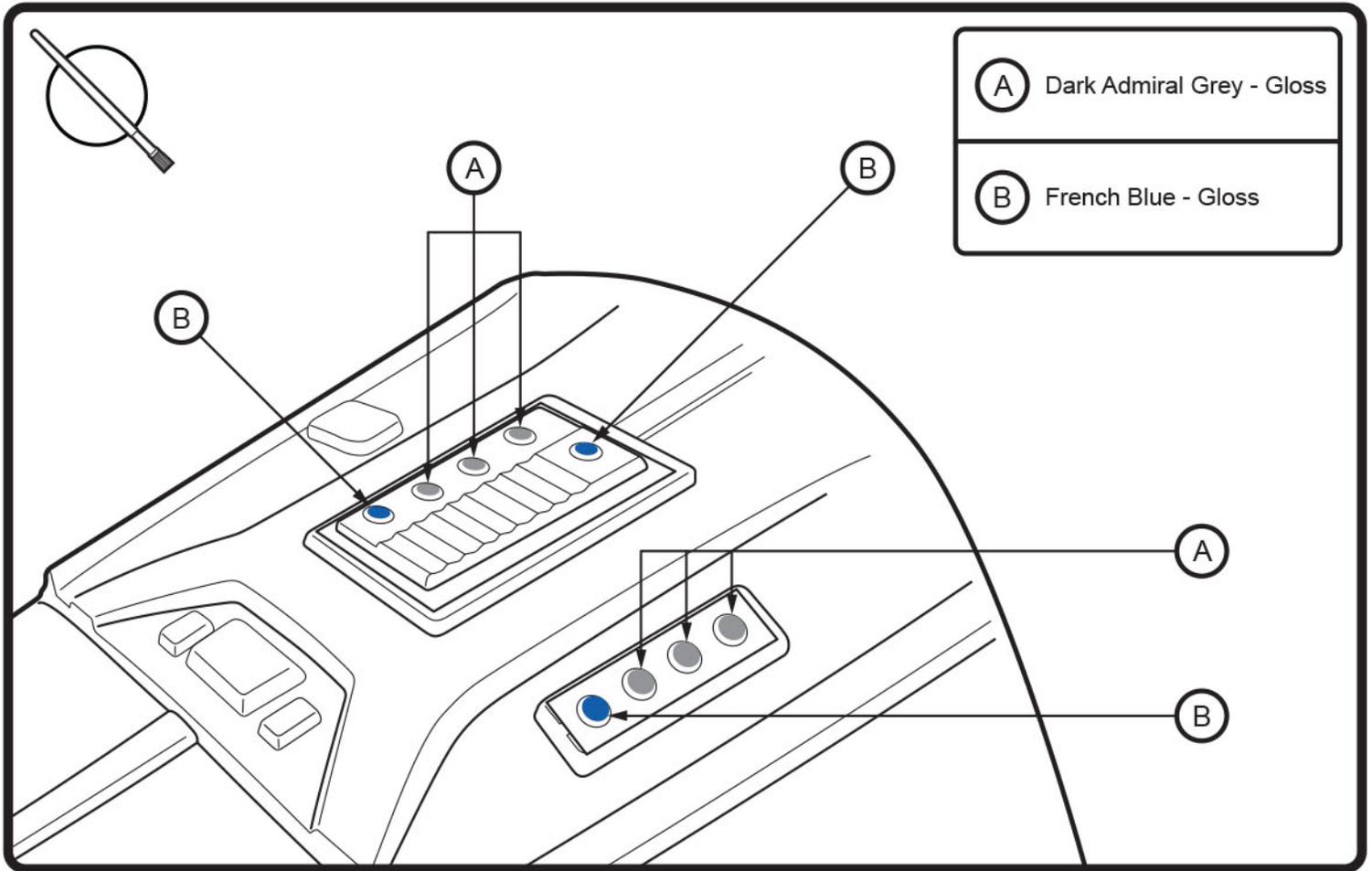
(Locate and mark cut line with pencil before scoring, then cut along molded trim line on ALL untrimmed parts)

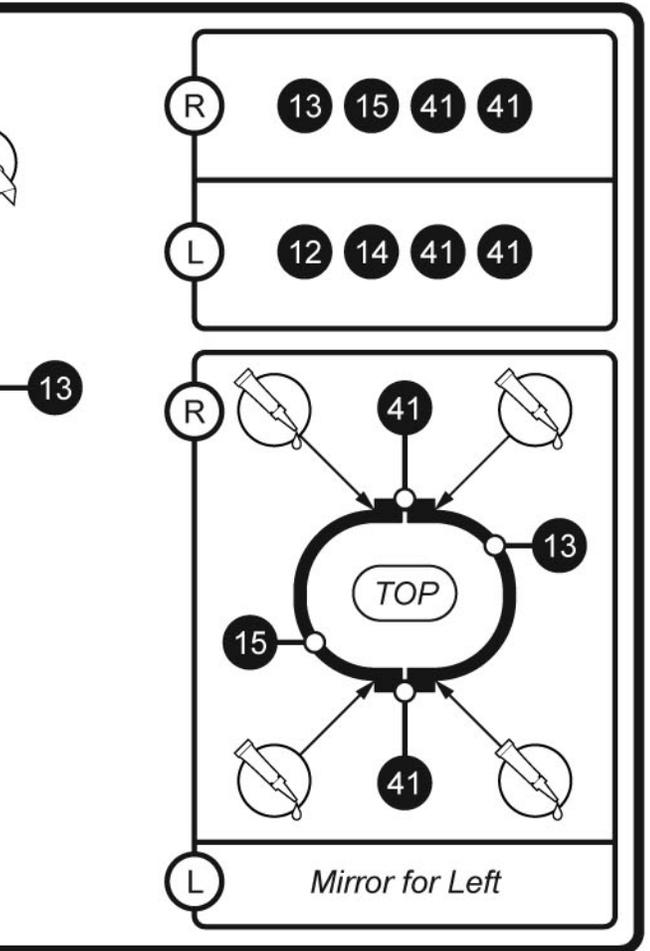
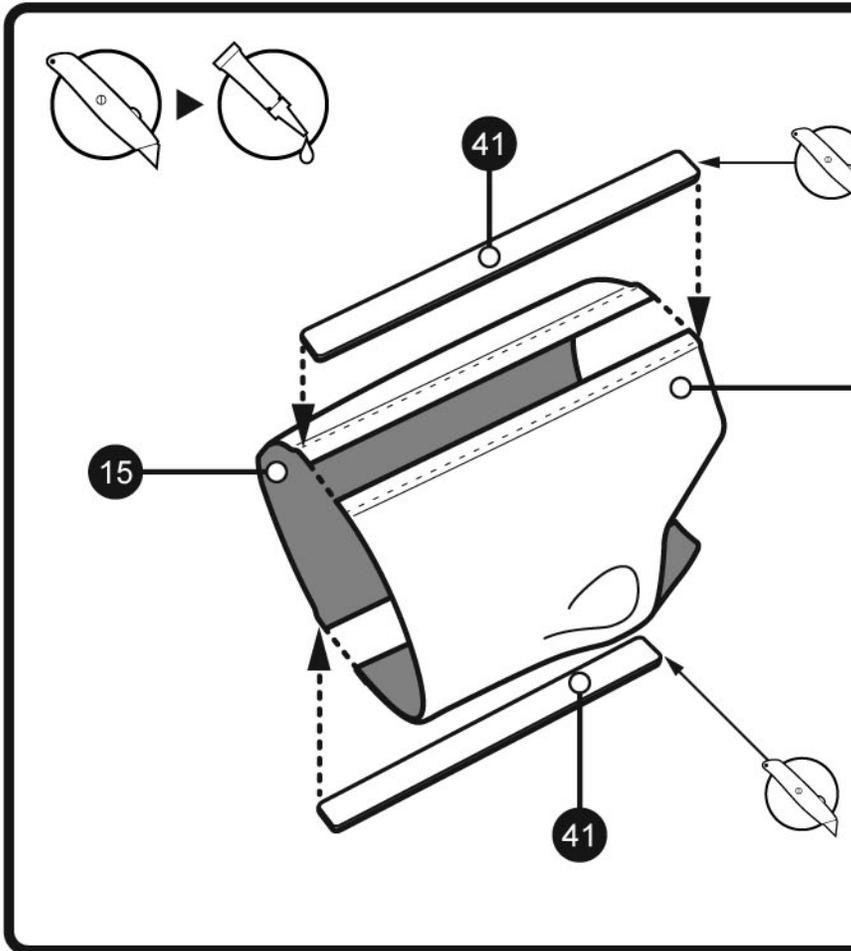
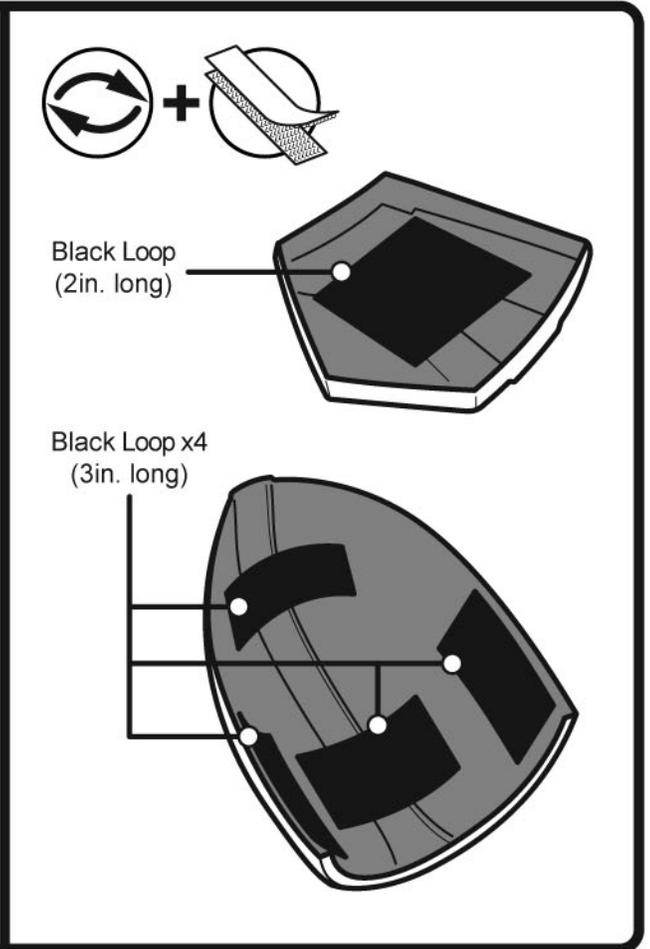
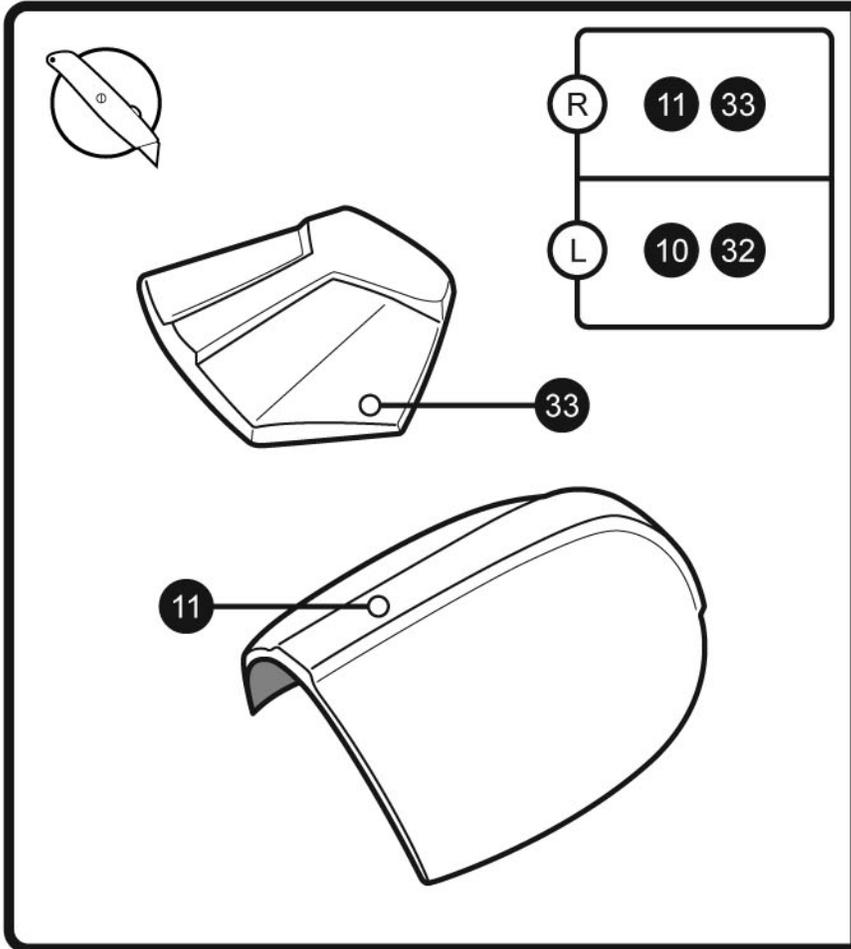


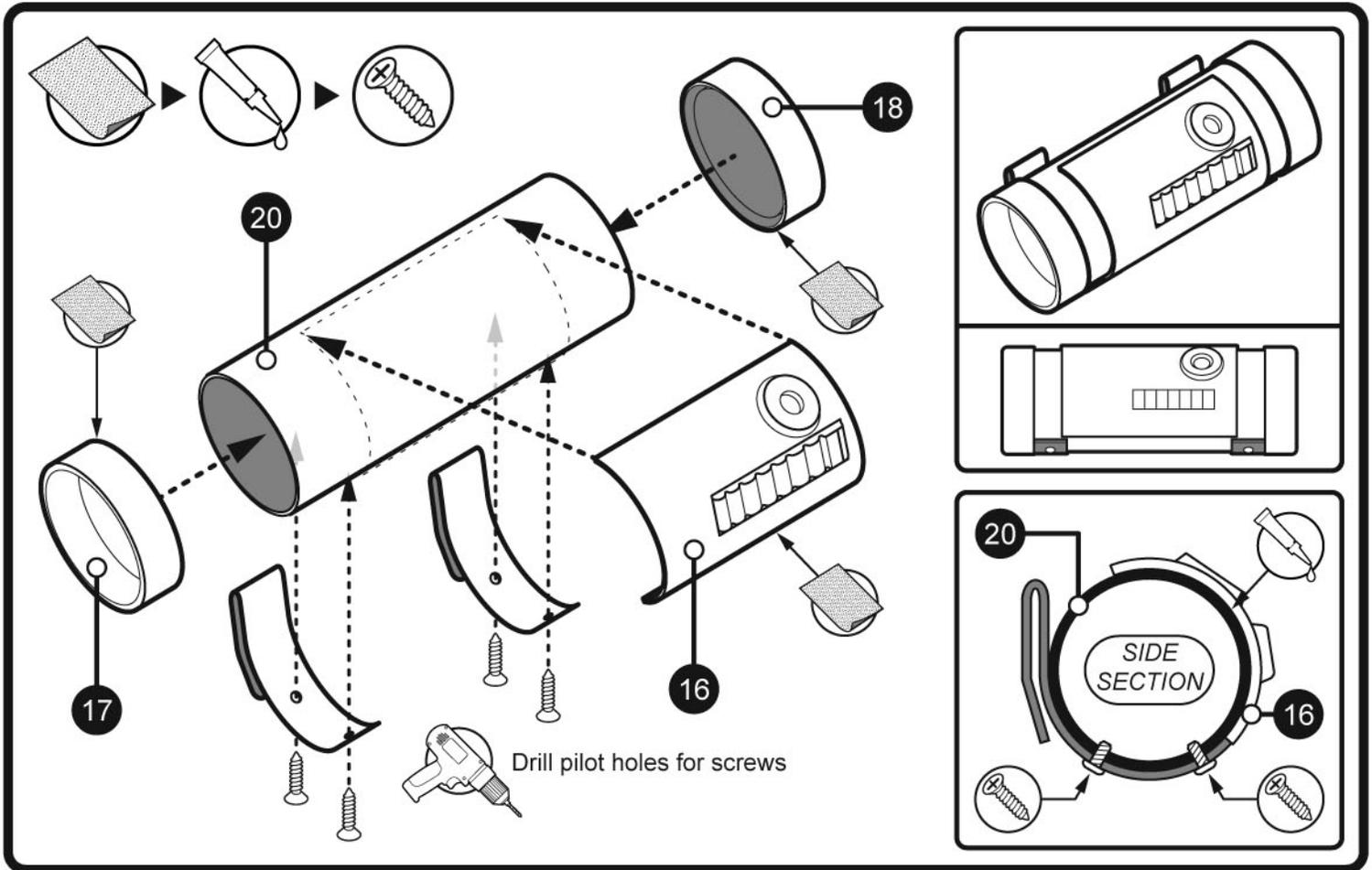
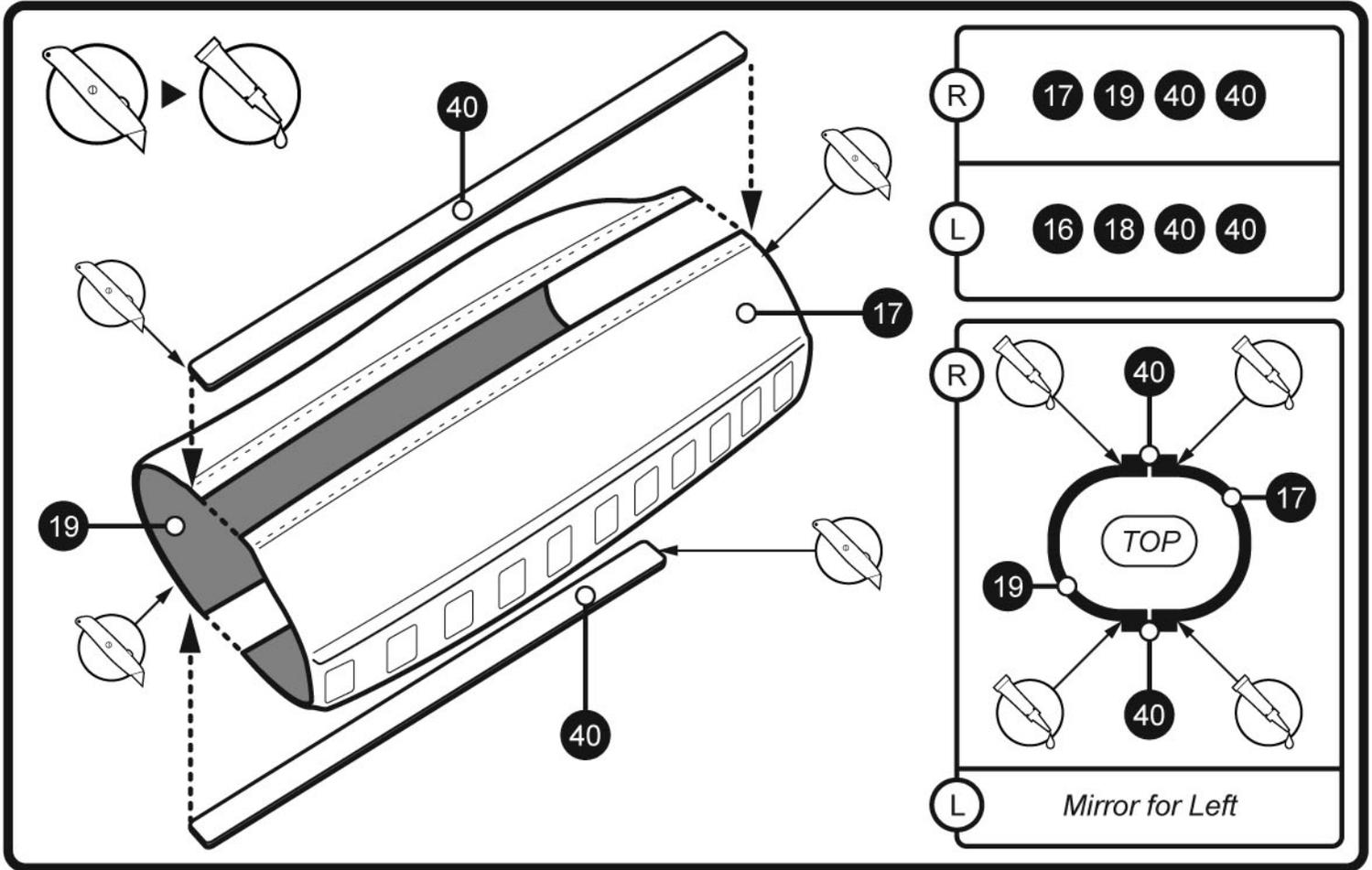
DISCARD

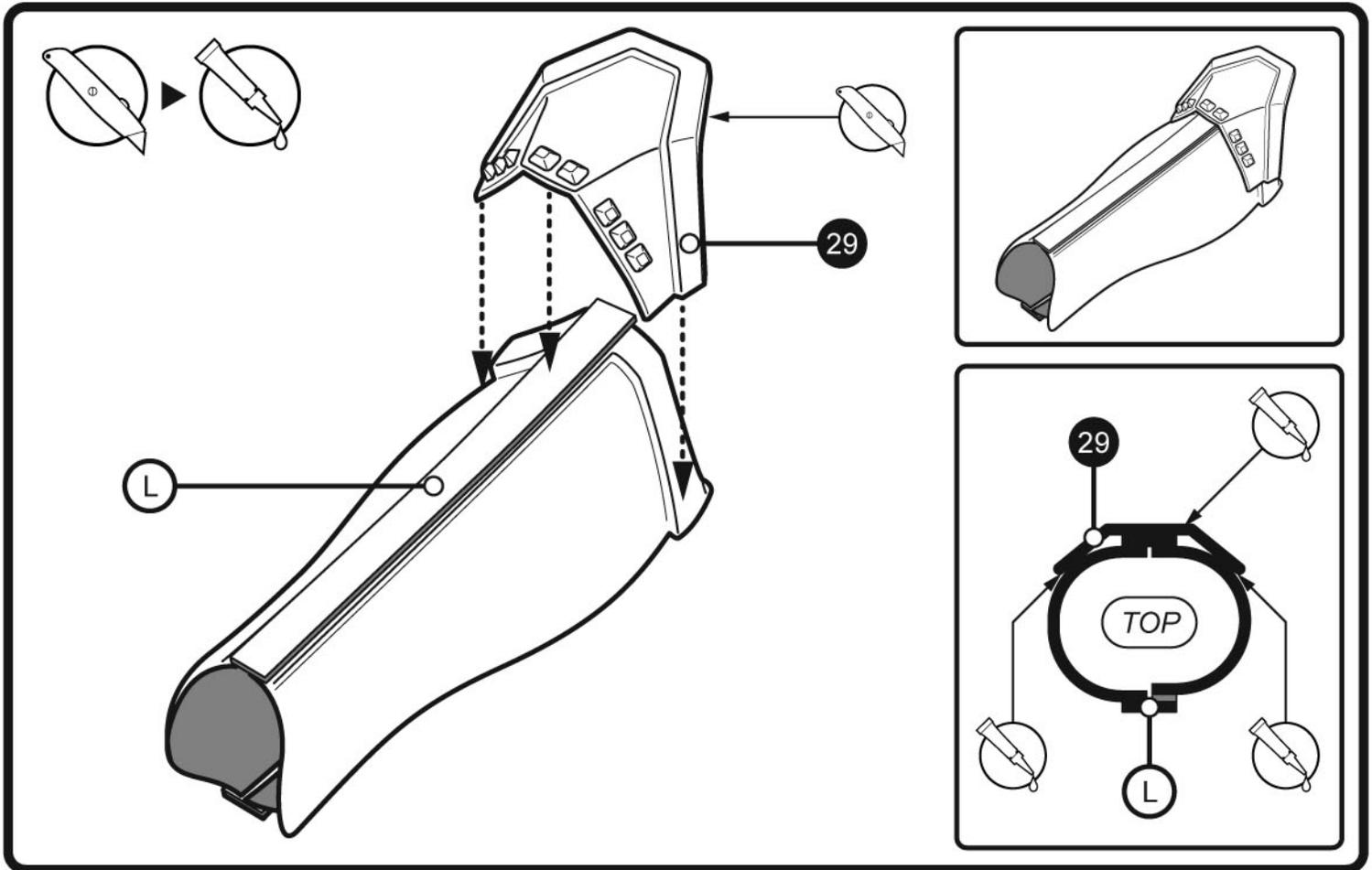
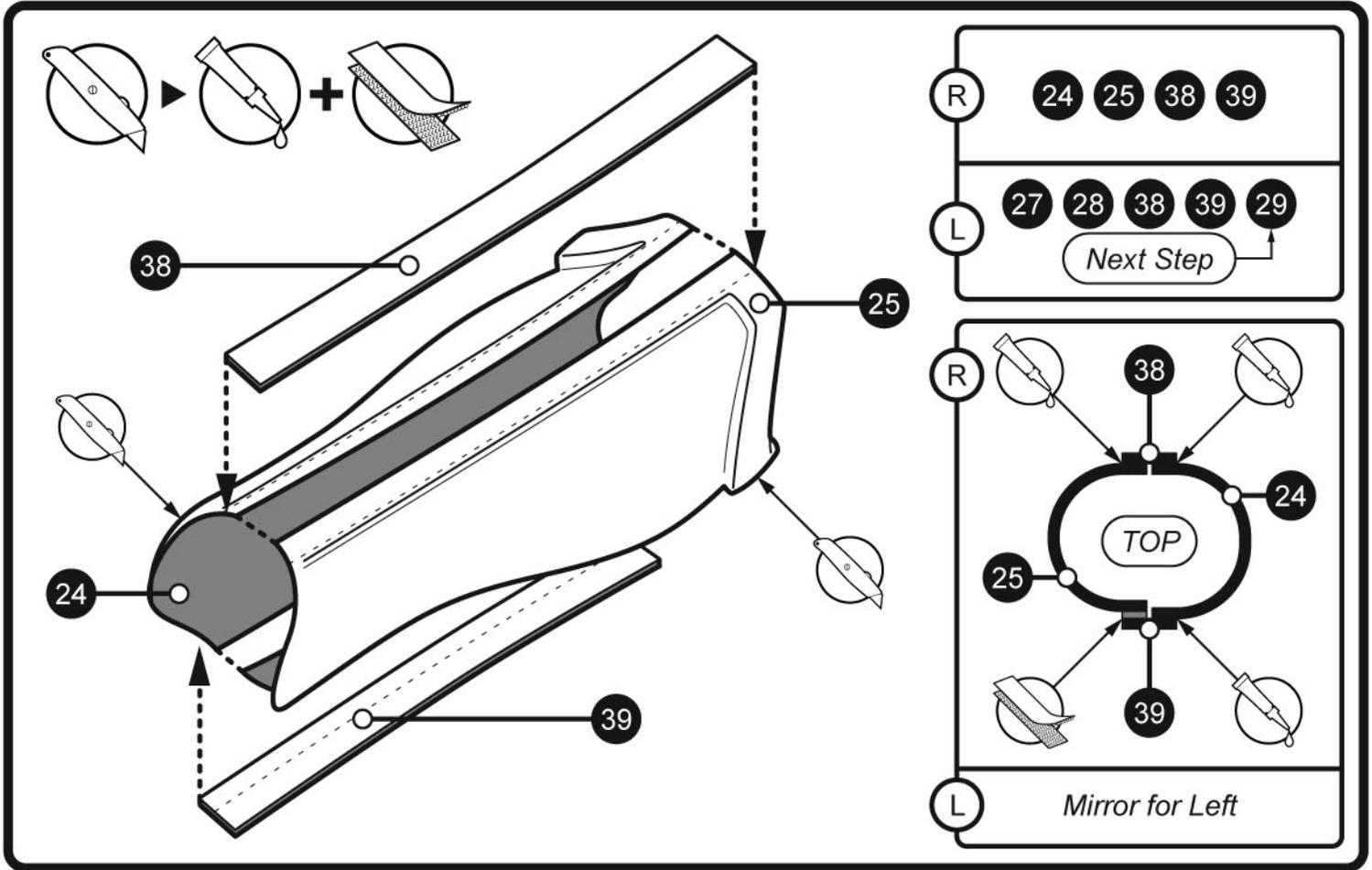


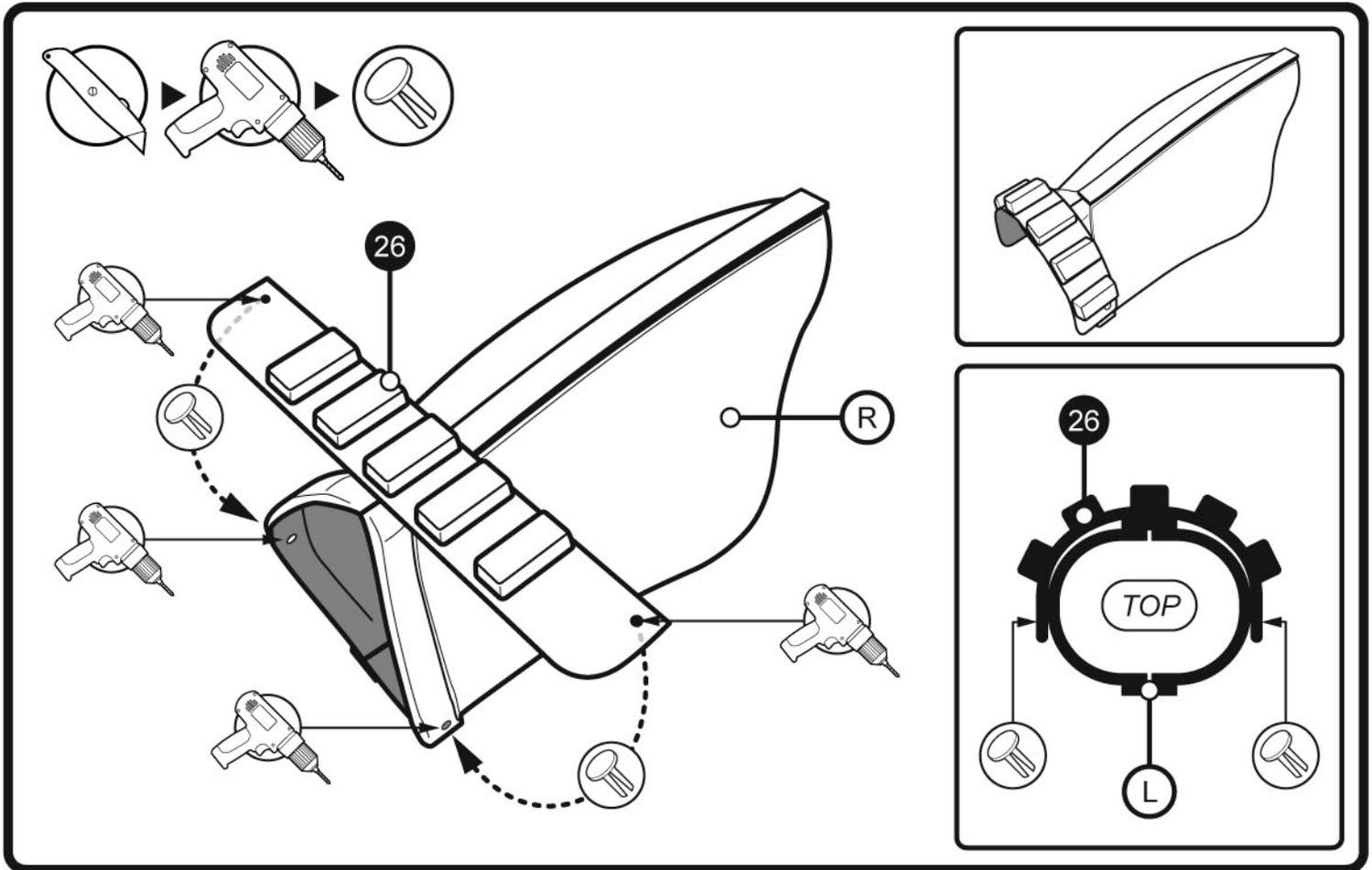
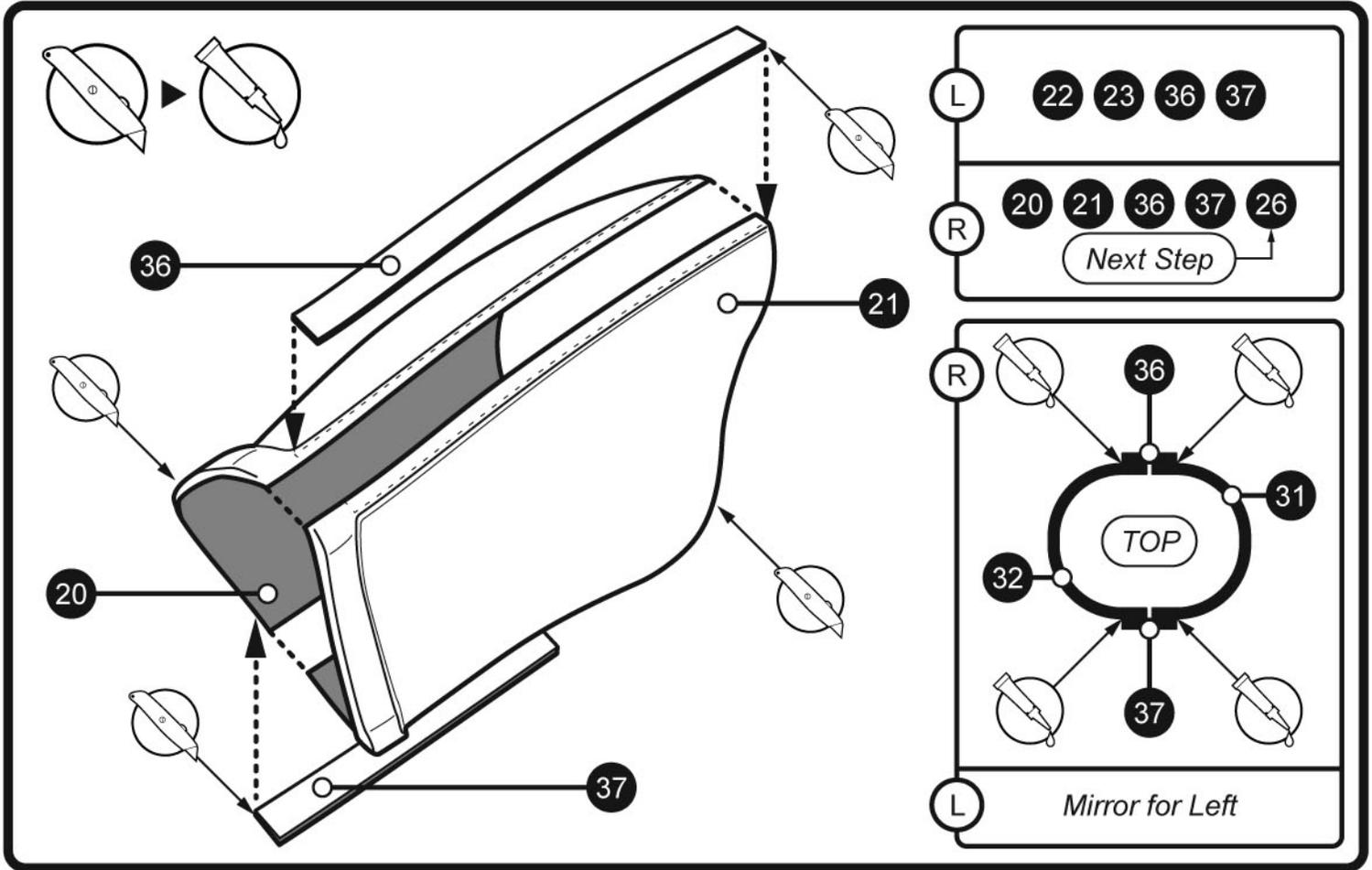


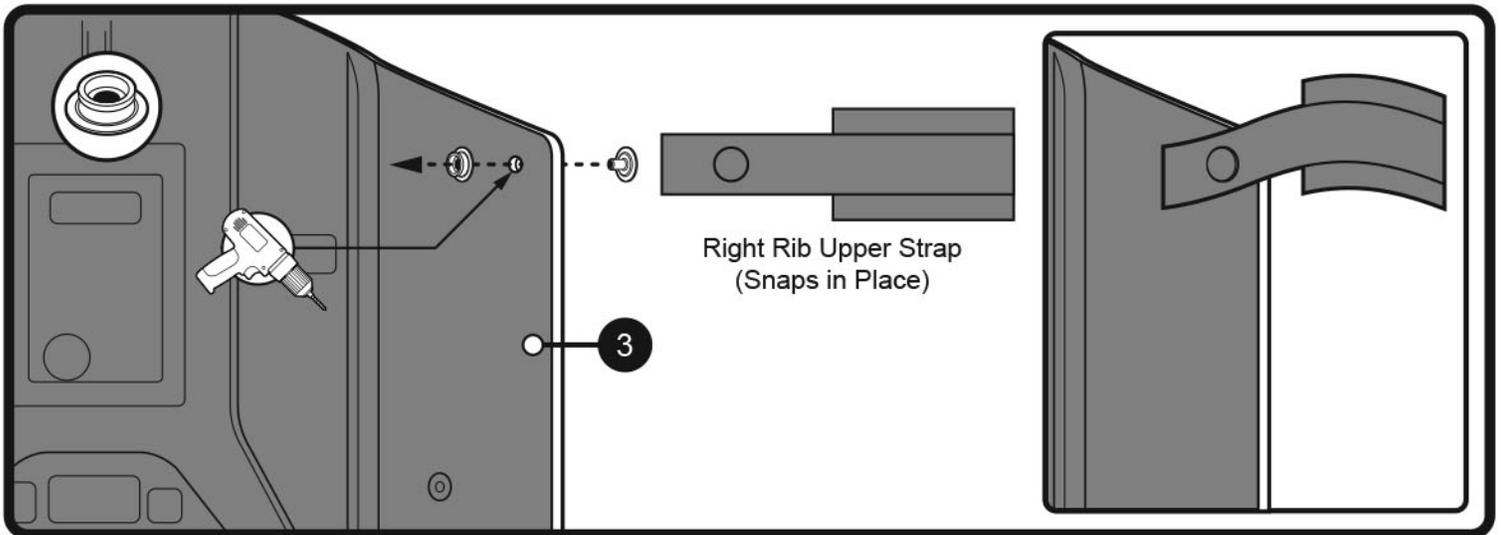
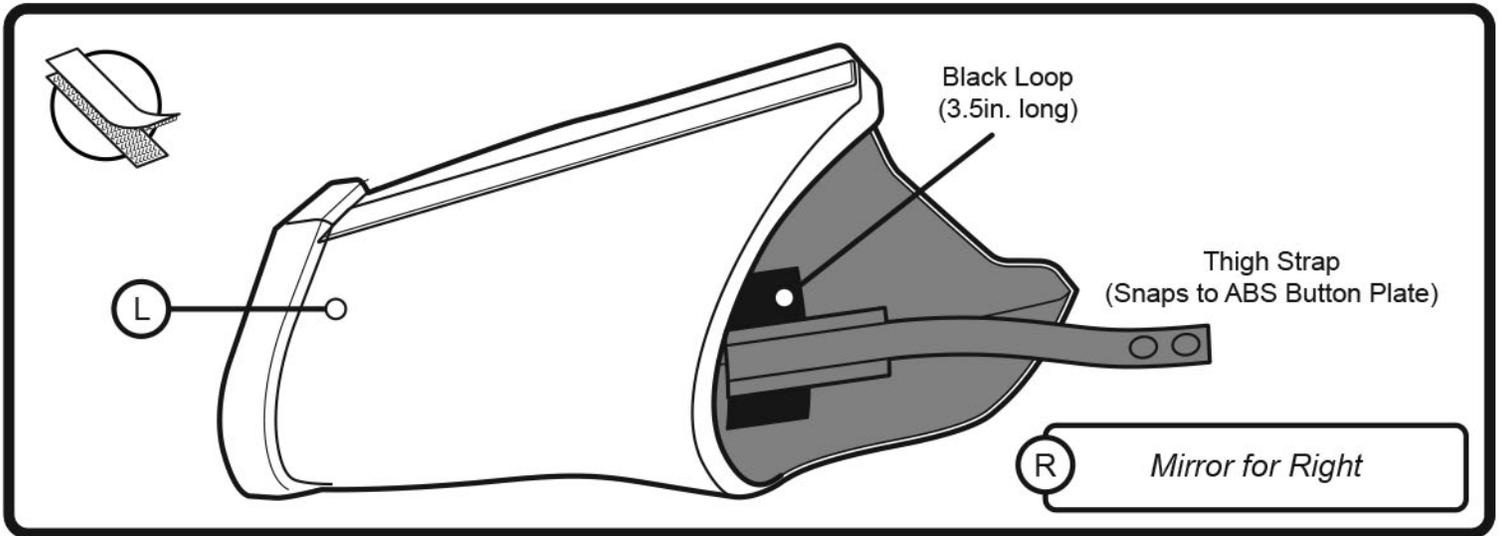
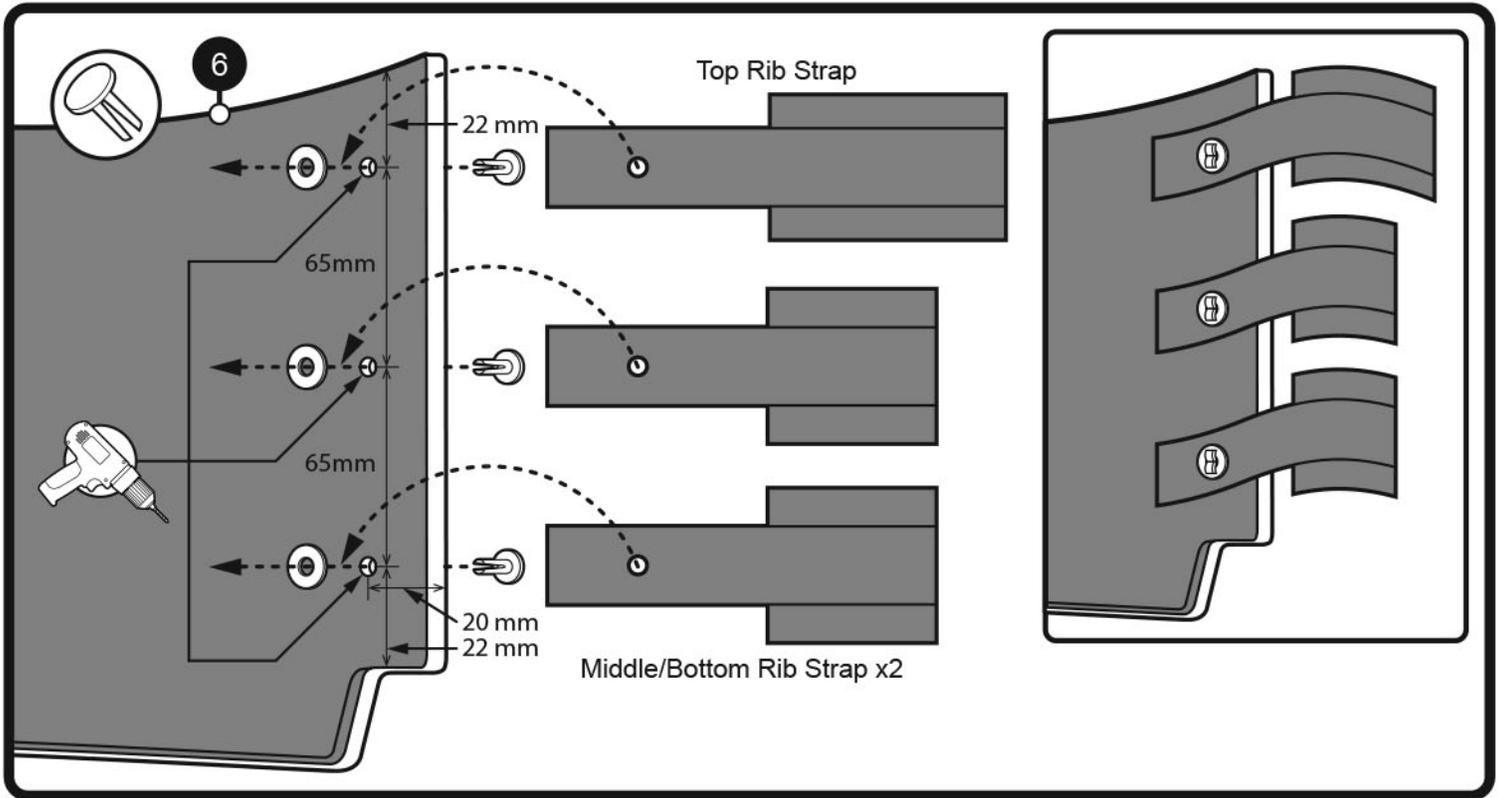


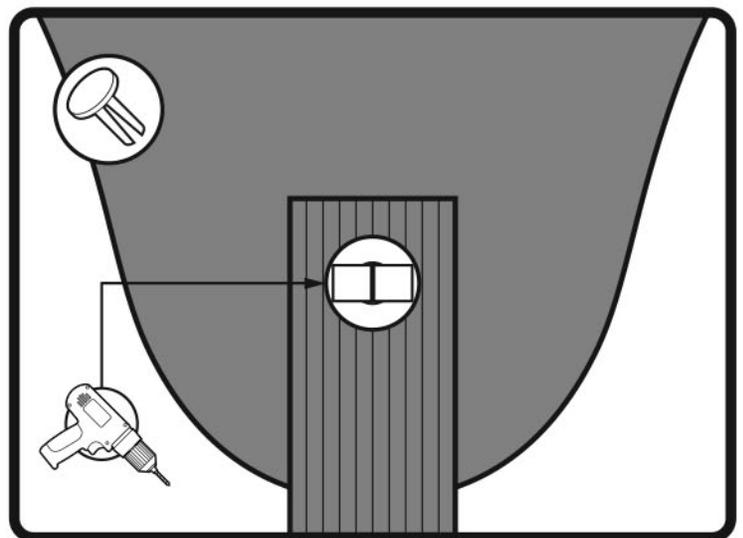
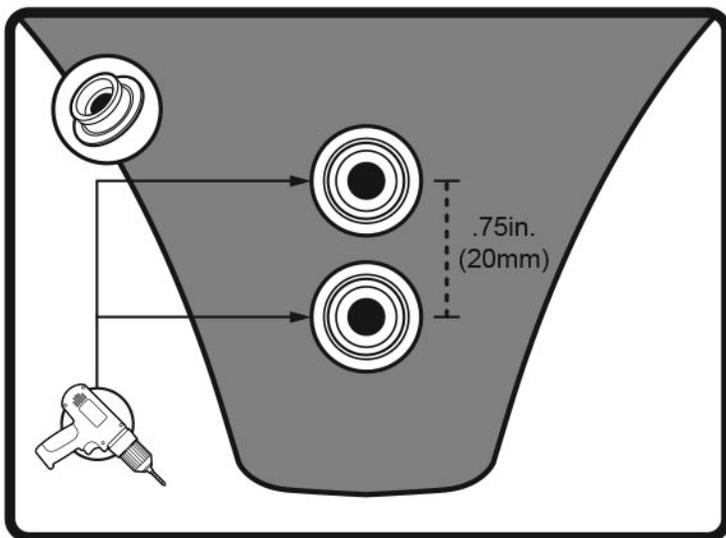
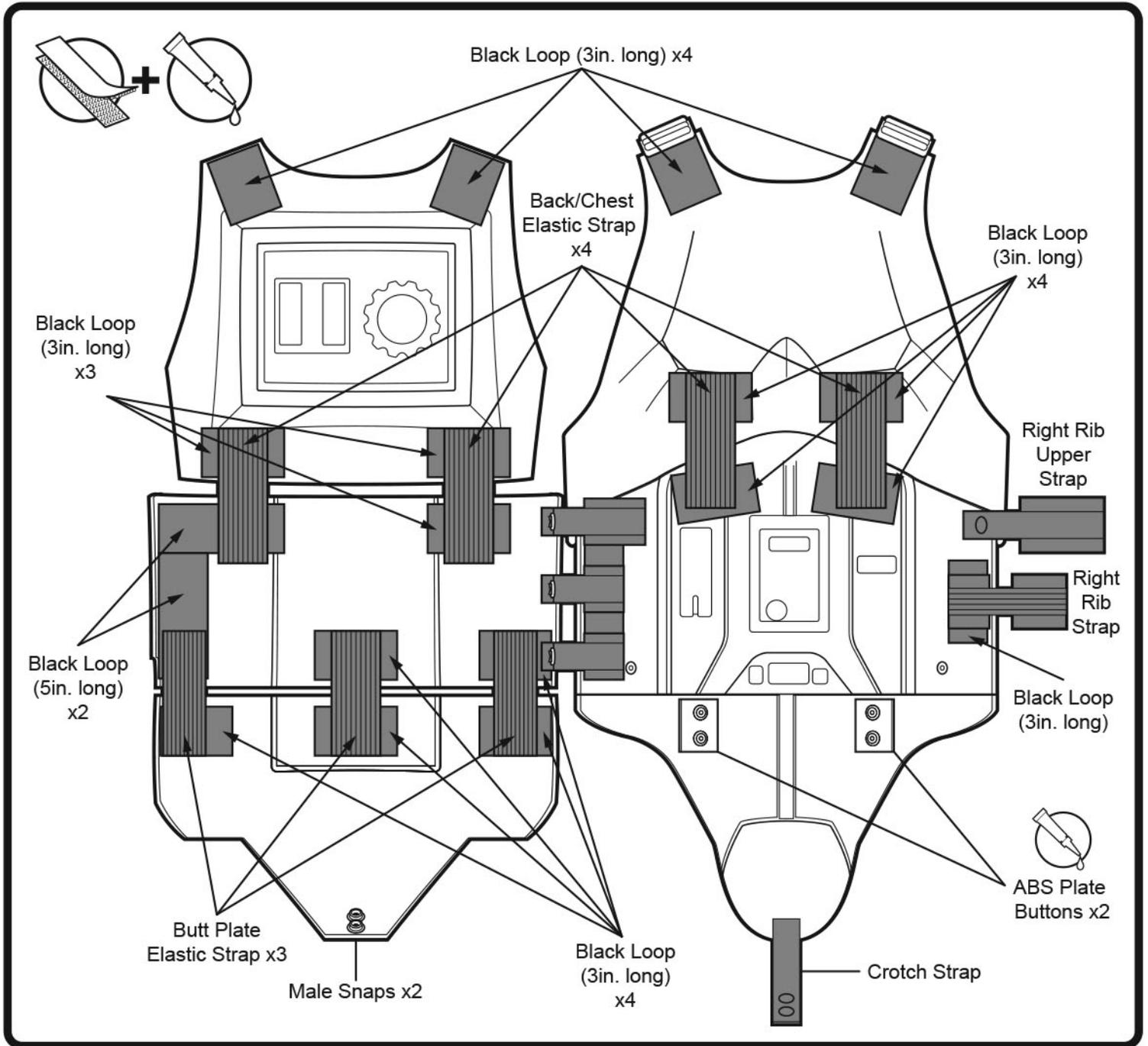






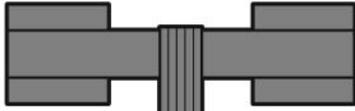




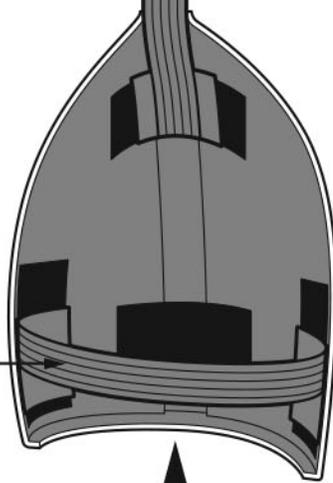




Shoulder Strap

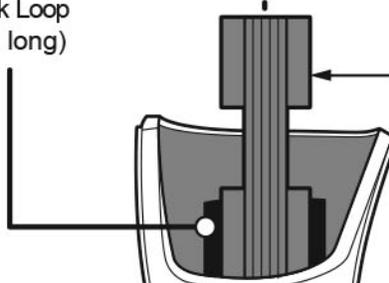


Under Arm Strap

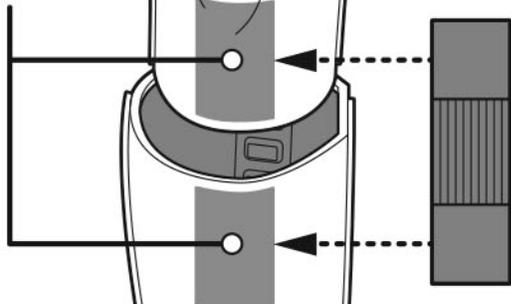


Black Loop (3in. long)

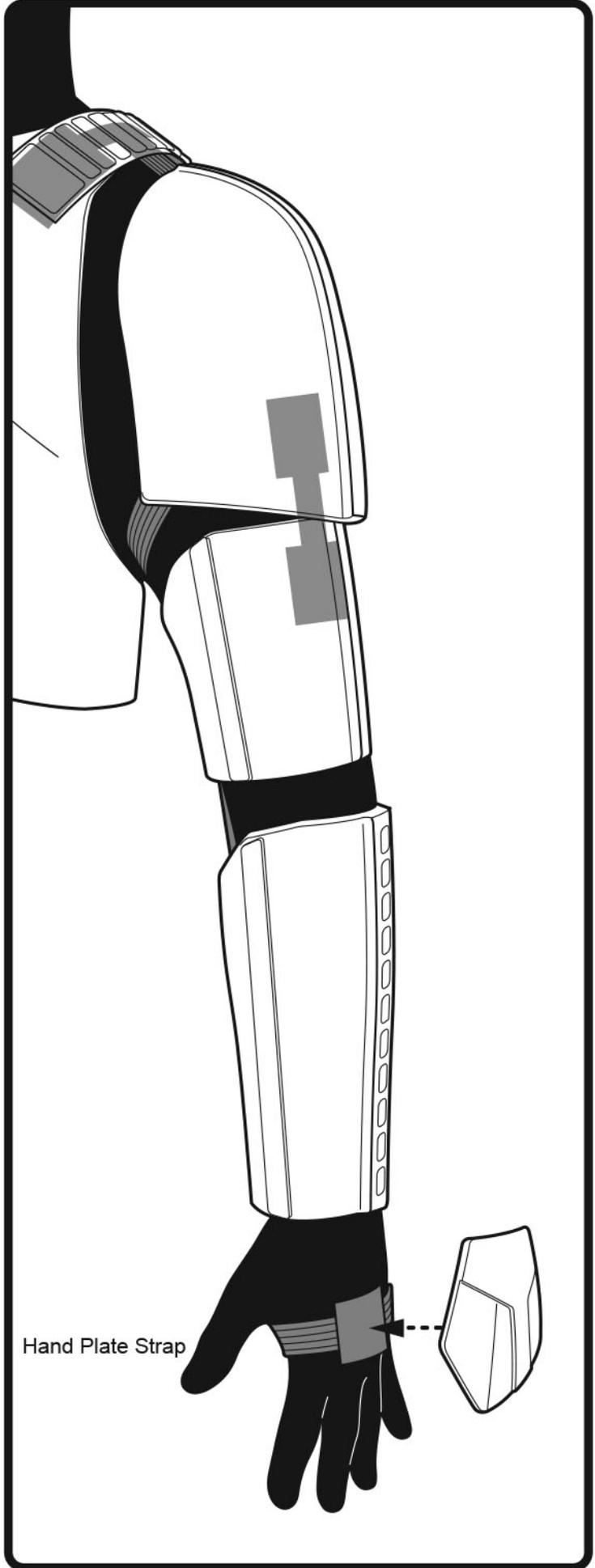
Shoulder to Bicep Strap



Black Loop x2 (3in. long) Inside Arm Pieces

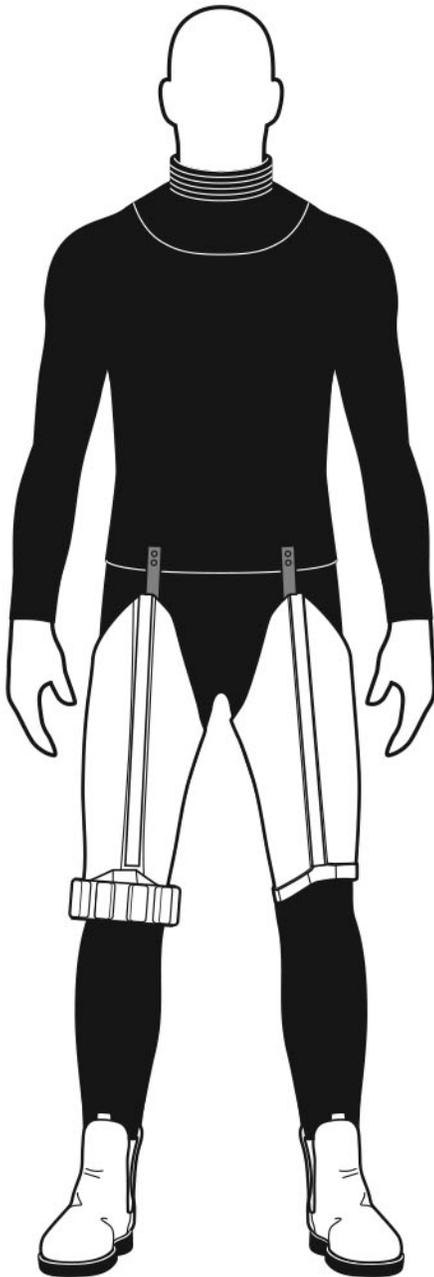


Bicep to Forearm Strap



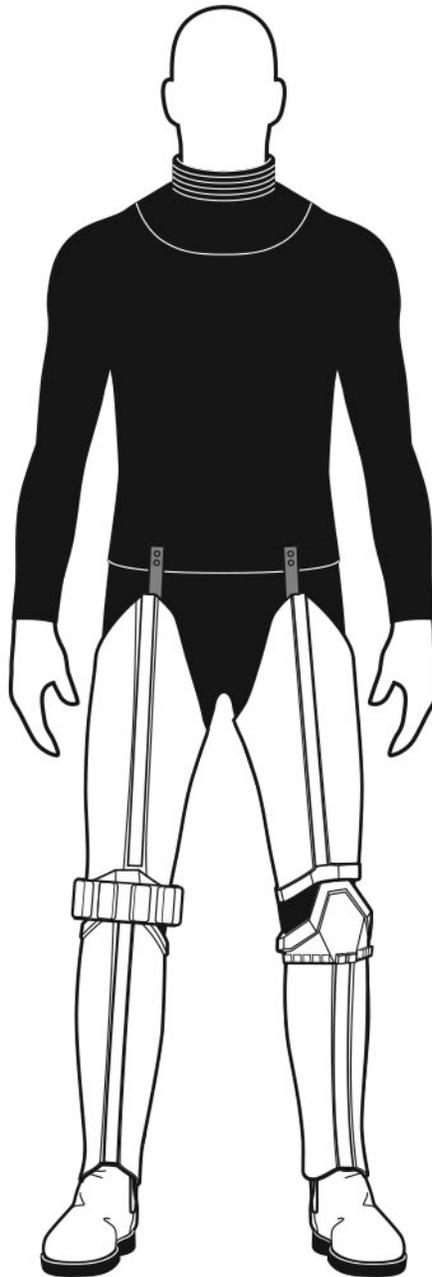
## RECOMMENDED METHOD FOR SUITING UP

1



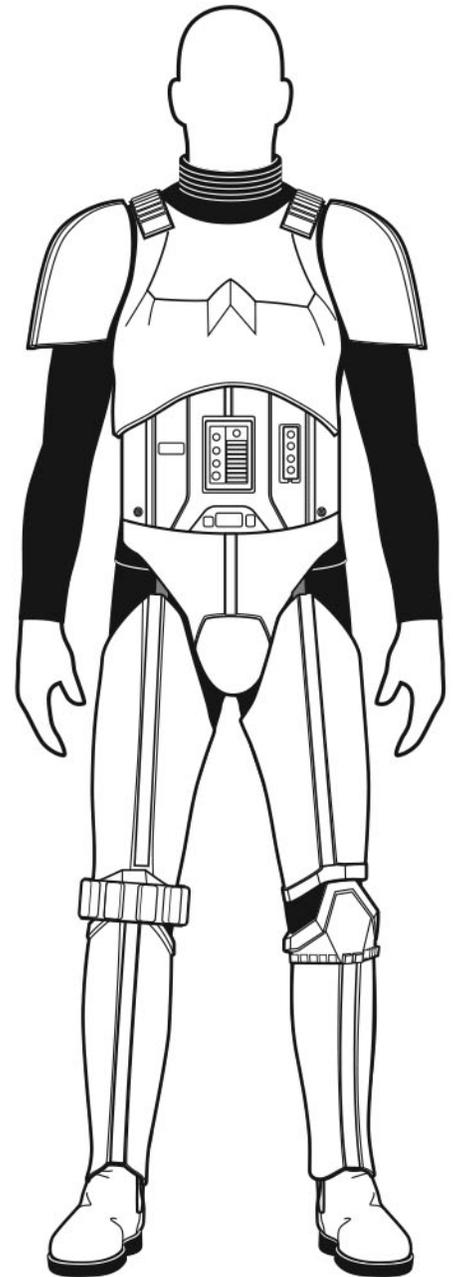
- A. Undersuit
- B. Neck seal
- C. Thighs
- D. Boots (not included)

2



- E. Calves  
(Wrap around legs, over boots,  
and close with Hook and Loop  
fasteners.)

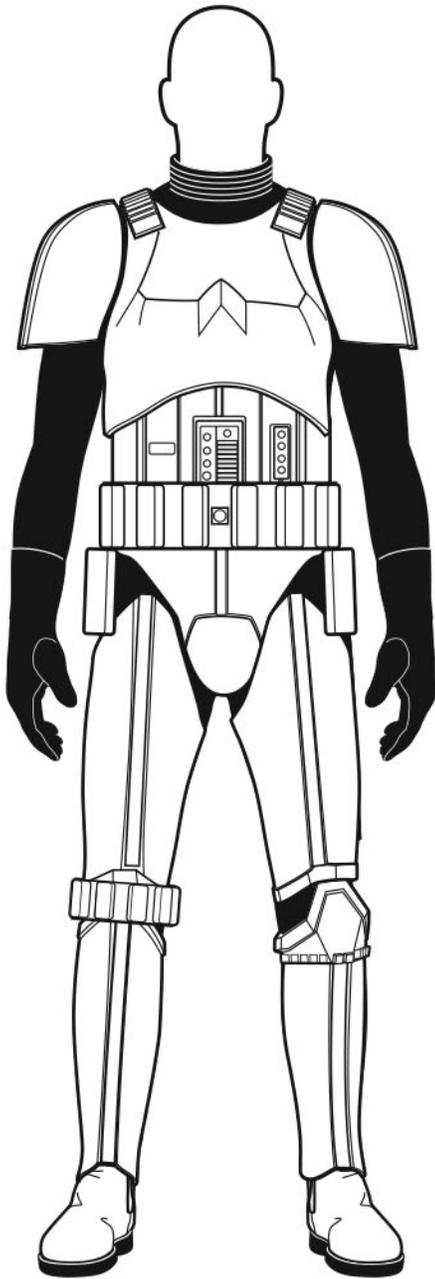
3



- F. Torso Assembly with Shoulders
- G. Snap Thigh Straps to Lower  
Abdomen/Codpiece
- H. Attach Hook and Loop Straps  
on right side of the Lower  
Abdomen/Codpiece to the Lower  
Kidney Plate

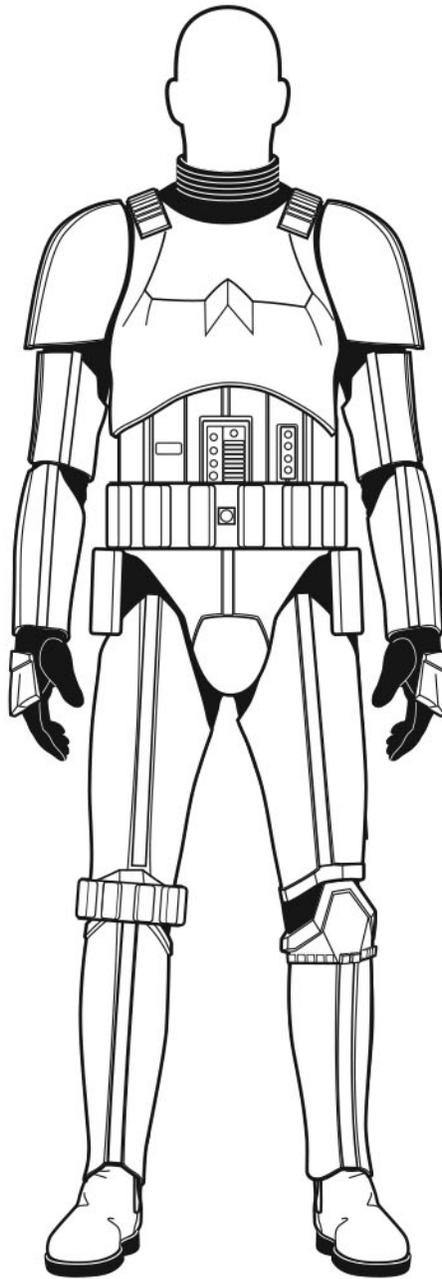
# RECOMMENDED METHOD FOR SUITING UP

4



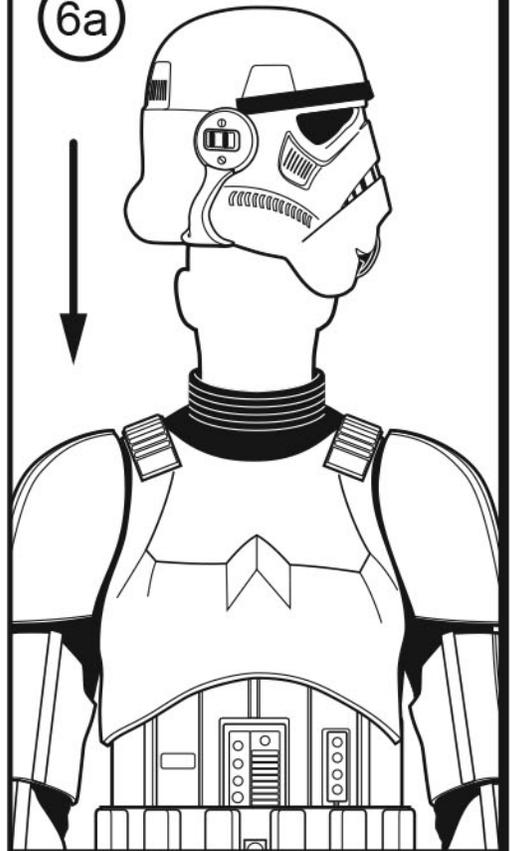
- I. Belt  
(Snap to front of Lower Abdomen/  
Codpiece and close in rear with  
Hook and Loop fasteners)
- J. Detonator  
(Clip on back of belt)
- K. Gloves

5

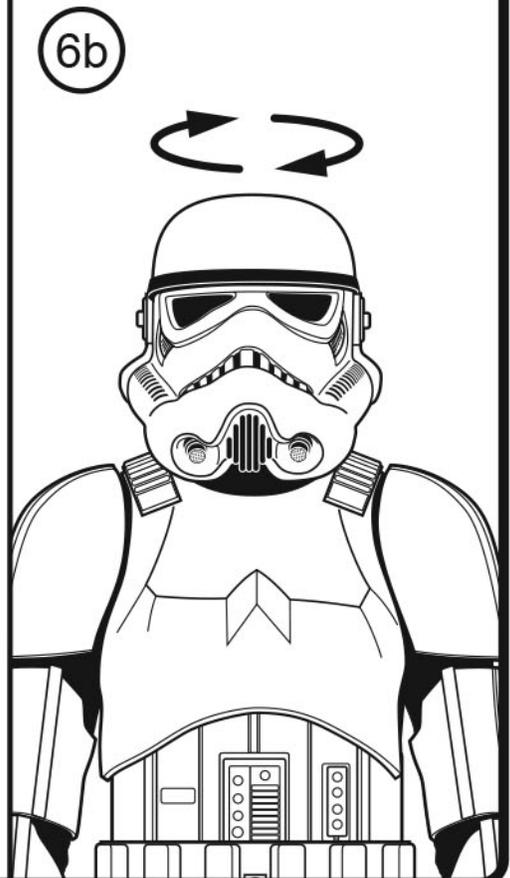


- L. Biceps  
(Attach top Hook and Loop strap to  
Shoulder)
- M. Slide on Forearms
- N. Slide on Hand Plates with straps

6a



6b



**Downloadable assembly instruction booklet available at:  
[www.ANOVOS.com/tk-kit](http://www.ANOVOS.com/tk-kit)**

**Frequently Asked Questions for the Classic Stormtrooper  
[www.ANOVOS.com/pages/classic-stormtrooper-faqs](http://www.ANOVOS.com/pages/classic-stormtrooper-faqs)**

**[www.starwars.com](http://www.starwars.com)**

© & ™ Lucasfilm Ltd.

Product subject to change without notice. Actual Product may vary.

ANOVOS Logo ®, © 2016 ANOVOS, All Rights Reserved.

ANOVOS, 7528 Pershing Blvd, Suite B202, Kenosha, WI 53142 USA

[www.ANOVOS.com](http://www.ANOVOS.com)



**(Revision 2016, V2)**