

Crometta S
Showerpipe 240 1jet EcoSmart 9 l/min Reno
 Surfaces: **Chrome** Article Number: **27270000**



Description

product features

- consists of: overhead shower, hand shower, shower hose, slider, wall connector
- overhead shower Crometta S 240
- shower head size: 240 mm
- spray type: Rain
- ball-joint: overhead shower angle adjustable
- shower arm length: 350 mm
- slide inclination angle can be adjusted by 45°
- height-adjustable hand shower holder
- outlet: overhead shower, hand shower
- flow rate Rain spray (at 3 bar): 9 l/min
- installation type: exposed installation
- water connection: Isiflex shower hose 80 cm
- connection dimension: DN15
- connection thread G ½
- rising pipe can be shortened in height

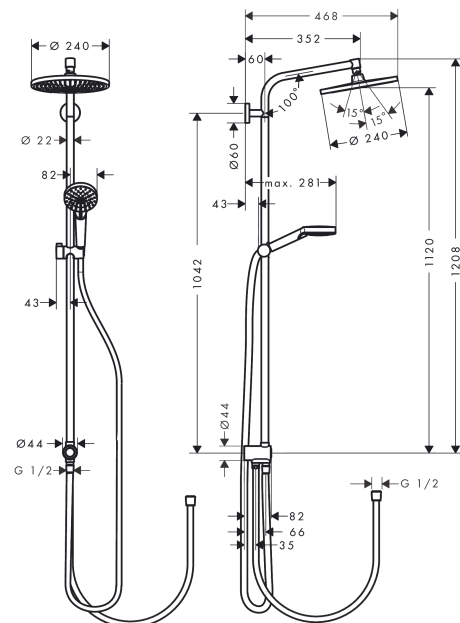
Technology



Product image



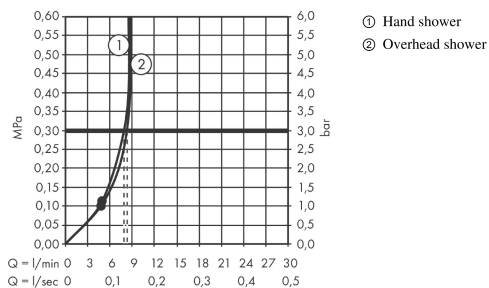
Scale drawing



Crometta S
Showerpipe 240 1jet EcoSmart 9 l/min Reno
 Surfaces: **Chrome** Article Number: **27270000**



Flowchart



The consumption was measured in combination with the appropriate fittings (thermostat/mixer/in-wall valve) to reflect actual application in practice.

Crometta S
Showerpipe 240 1jet EcoSmart 9 l/min Reno
 Surfaces: **Chrome** Article Number: **27270000**



Installation examples

