

## Croma Select S Hand shower 1jet

Surfaces: **White/Chrome** Article Number: **26804400**



### Description

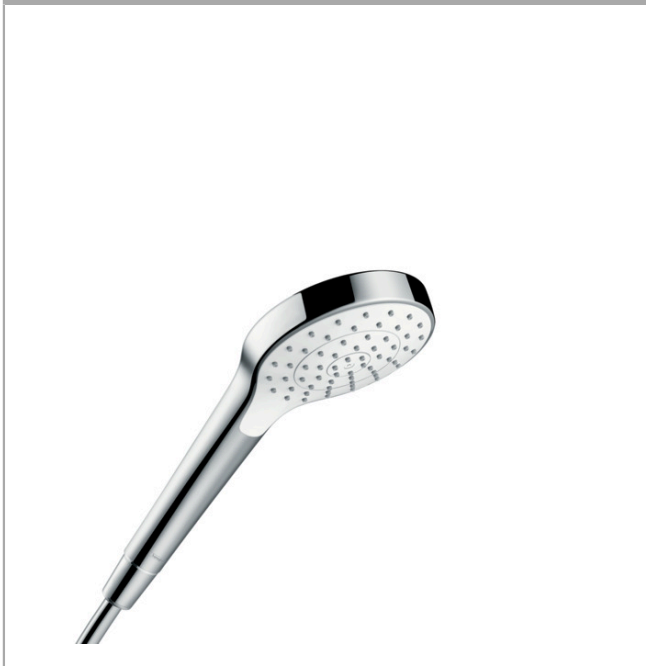
#### product features

- shower head size: 110 mm
- spray type: Rain
- maximum flow rate at 3 bar: 16 l/min
- with internal water conduction
- rinseable dirt filter
- connection thread G 1/2
- connection dimension: DN15
- suitable for continuous flow water heaters

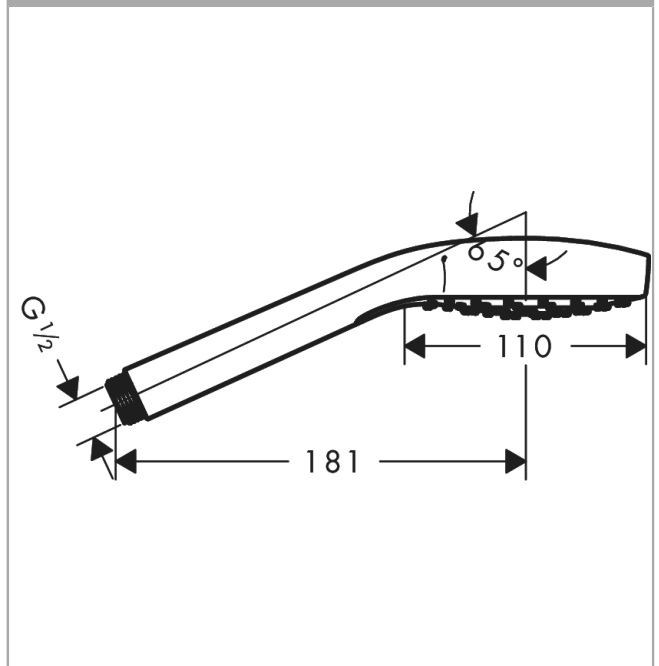
### Technology



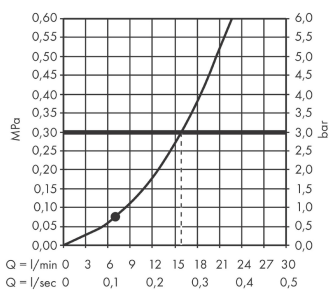
### Product image



### Scale drawing



### Flowchart



The consumption was measured in combination with the appropriate fittings (thermosta/mixer/ in-wall valve) to reflect actual application in practice.